

REV.	ECN NO.	LOCATIONS	DESCRIPTION	DATE	DESIGN
A0			NEW RELEASE	08/01'18	Larry

CUSTOMER DRAWING
RoHS Compliant

ORDERING INFORMATION

8K10-R04 5 6 1 (01 S)
① ②③④ ⑤ ⑥

① **PRODUCT SERIES:**

RJ45 1x1 CONNECTOR-8P8C
Sink6.90 / H:9.95(Shielded)
TAP-UP with LED/ Square Pin

② **COLOR OF LED**

- 0: W/O LED
- 1: L-yellow, R-green
- 2: L-green, R-yellow
- 3: All green
- 4: L-yellow, R-orange/green
- 5: L-amber, R-green
- 6: L-orange/green, R-green

③ **MATERIAL OF HOUSING :**

6: PA6T

④ **COLOR OF HOUSING :**

- 1: Black 4: Gray
- 2: Yellow 5: White
- 3: Blue

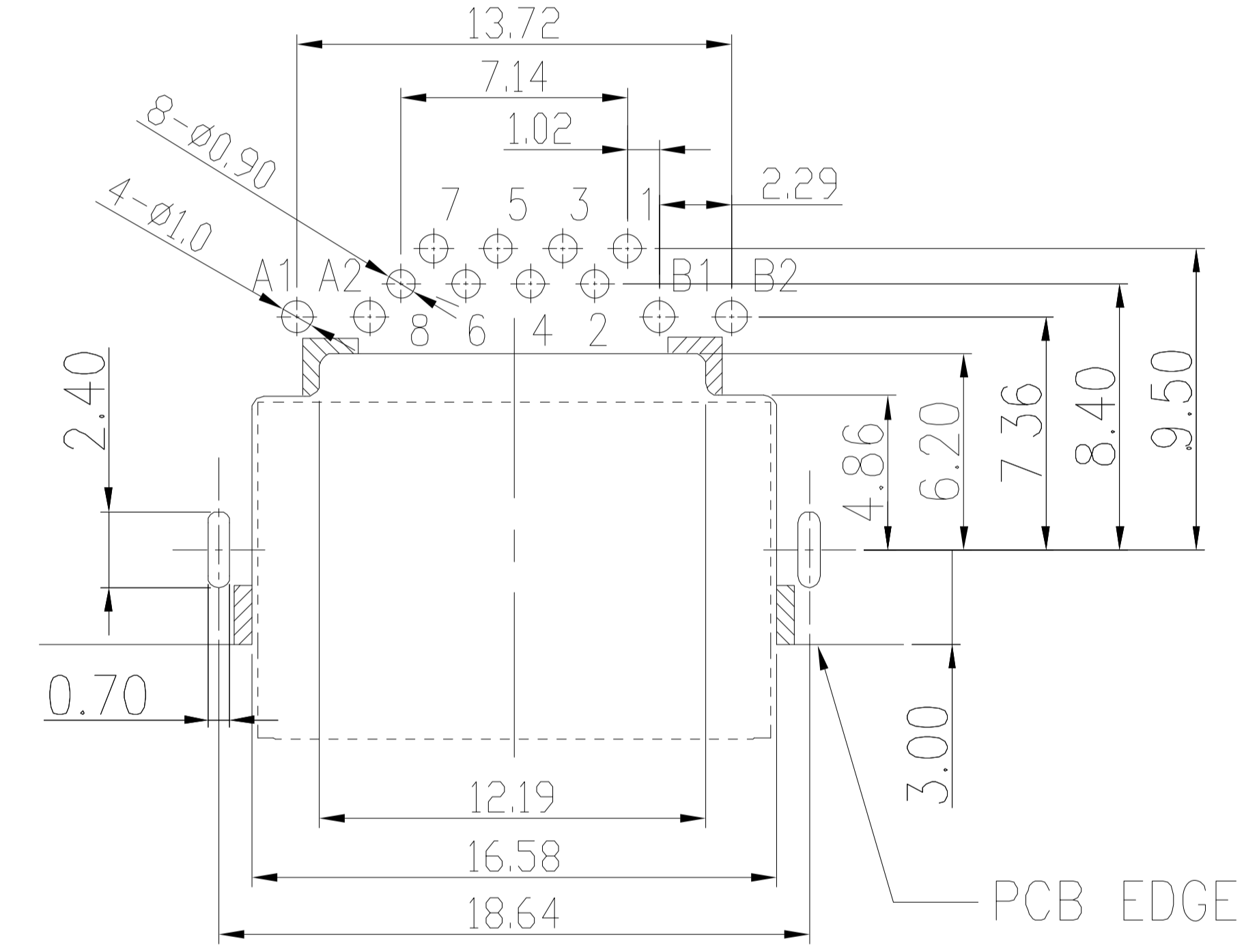
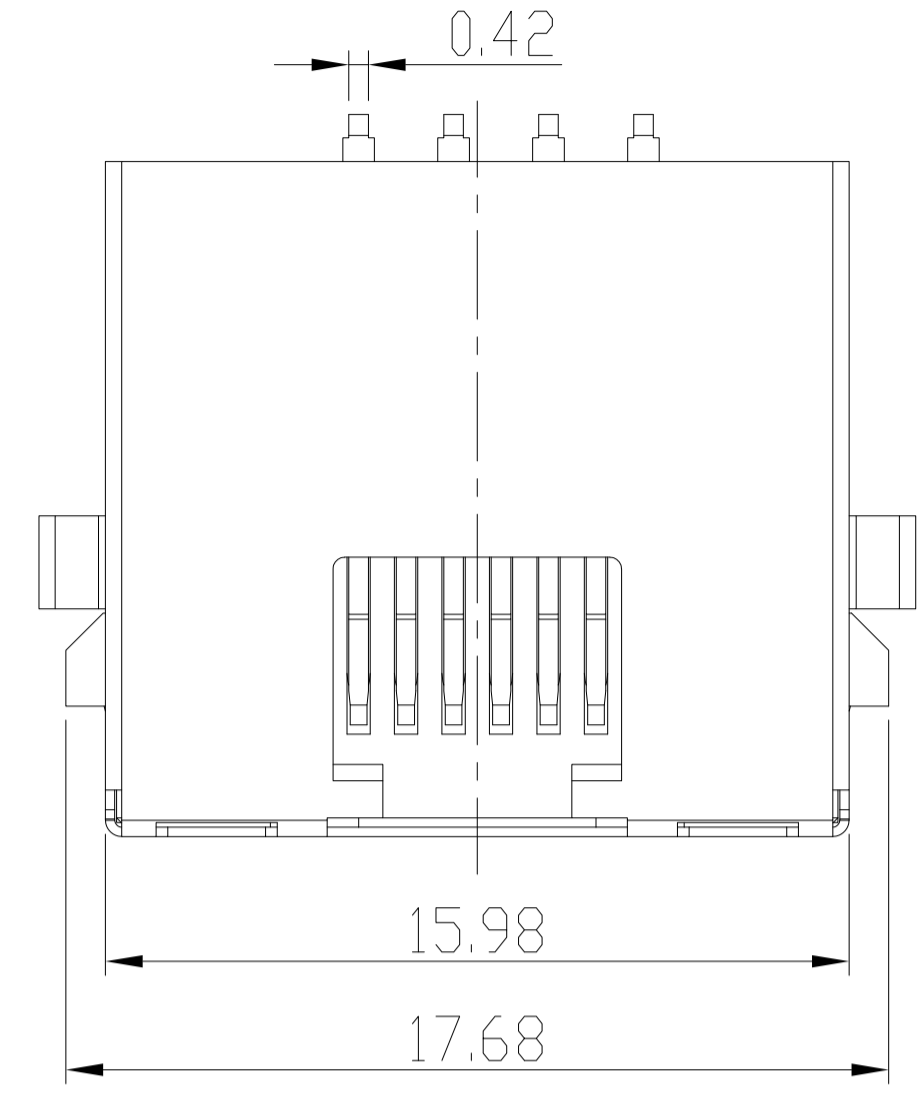
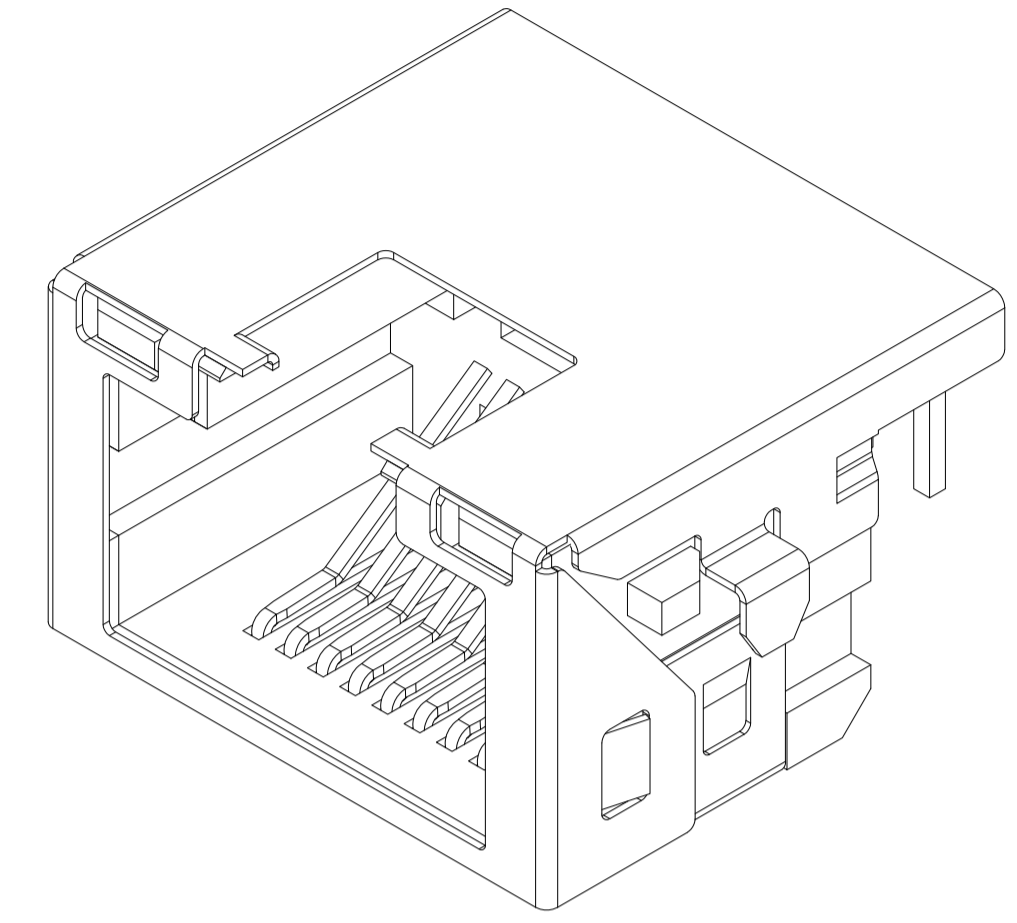
⑤ **GOLD PLATING :**

- 01: Gold Flash.
- 10: 10u"
- 30: 30u"

⑥ **MATERIAL OF SHELL :**

S: Metal Shielding.

3D VIEW

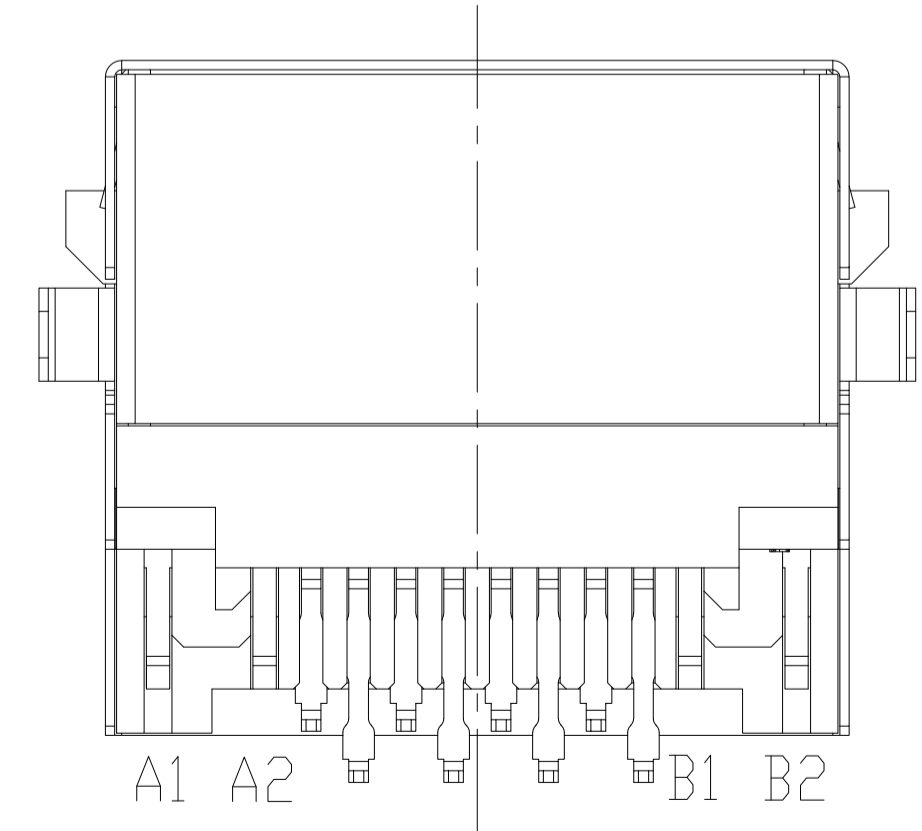
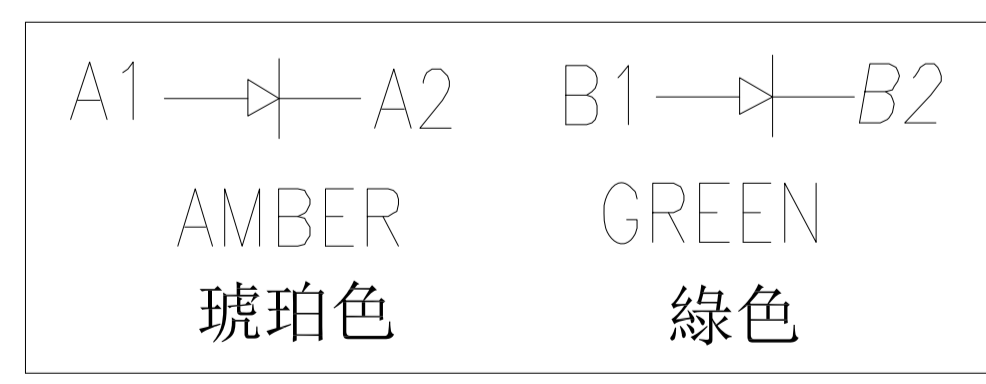
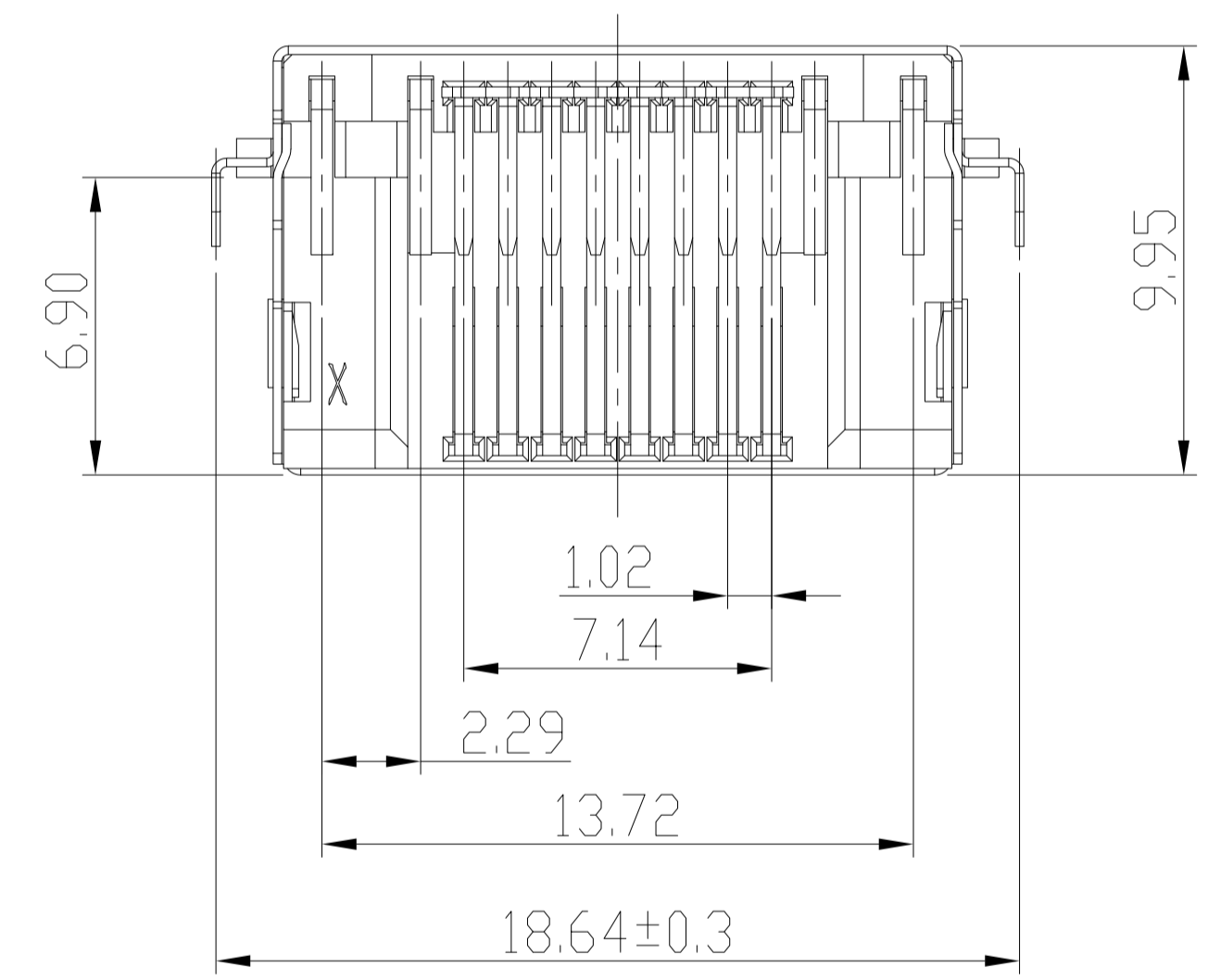
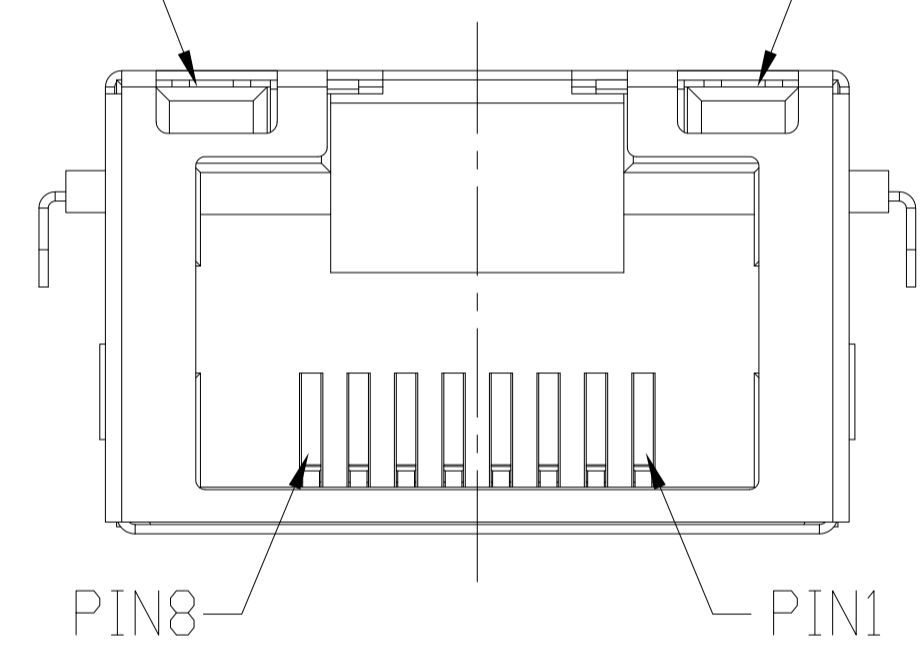


RECOMMENDED PCB LAYOUT
GENERAL TOLERANCE: ±0.05

NOTES:

1. MATERIAL:
 - (1) HOUSING: PA6T, UL94 V-0, Color:Black.
 - (2) CONTACT: COPPER ALLOY.
 - (3) Shell: STAINLESS STEEL.
2. PLATED:
 - (1) CONTACT: TIN PLATED OVER 50u" NICKEL UNDERPLEATED OVERALL. GOLD PLATED ON CONTACT AREA.
 - (2) SHELL: NICKEL PLATED OVERALL.

Coler:AMBER LED1 Coler:GREEN LED2



DIM	TOL	DIM	TOL
X.X	±0.35	X.X*	±3.0"
X.XX	±0.25	X.XX*	±2.0"
X.XXX	±0.15	X.XXX*	±1.0"

SUNFUN		SUNFUN TECHNOLOGY LTD			
DRAW NO.	8K10-R04(A0)	DATE	08/01'18	MATERIAL:	SEE NOTES
DESIGN:	Larry	08/01'18	FINISH:	SEE NOTES	DRAW NAME: RJ45 1x1 CONNECTOR- Sink6.90 / H:9.95(Shielded) TAP-UP with LED
CHECK:	Larry	08/01'18	FILE:	8K10-R04(A0)	
REVIEW:	Ziv	08/01'18	P/N:	8K10-R04XXX(01S)	MODEL: RJ45 CONN
APPROVED	Ziv	08/01'18	REV. A0	SCALE	UNIT: mm
					SHEET: 1/1