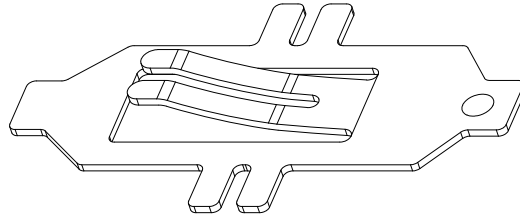


REV.	ECN NO.	LOCATIONS	DESCRIPTION	DATE	DESIGN
A0			NEW RELEASE	06/15'20	Ben

3D VIEW



ORDERING INFORMATION

BCC012 - 400

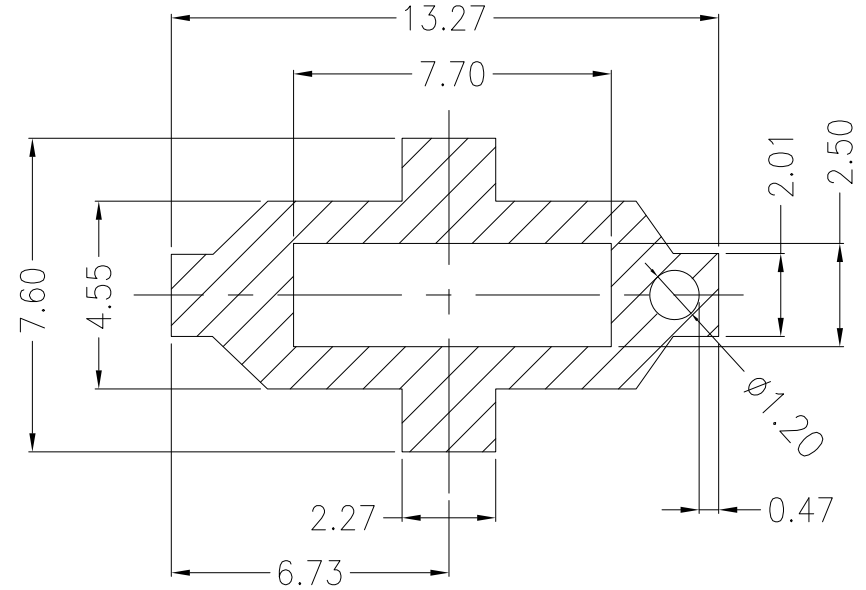
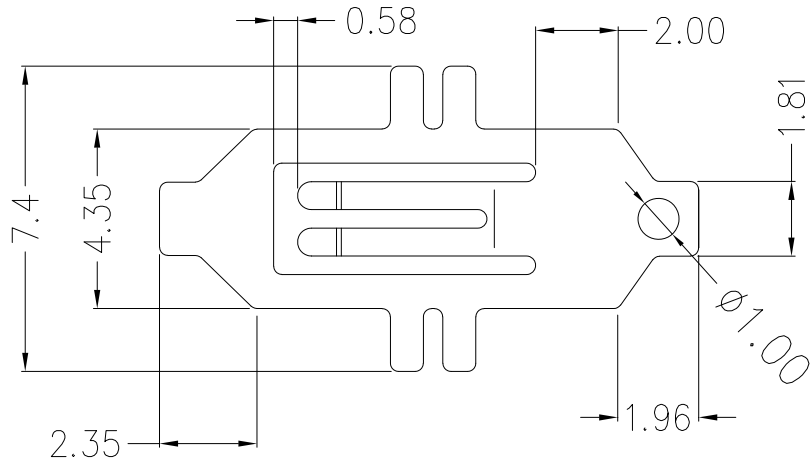
① ②

① **PRODUCT SERIES:**
CELL SHRAPNEL

② **ITEM NO.:**
SMT type with 1.20mm Height.

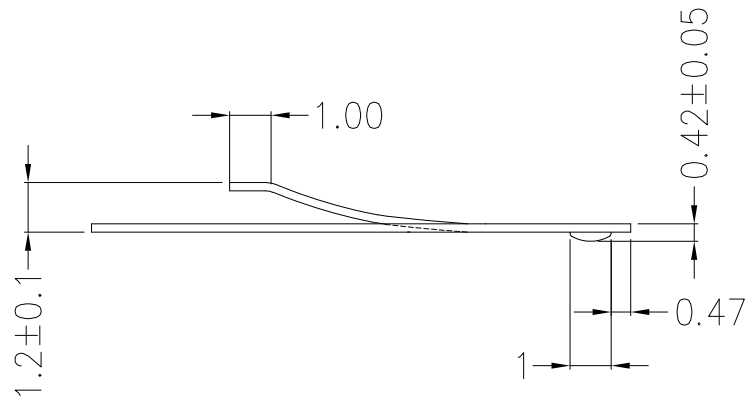
CUSTOMER DRAWING

RoHS Compliant



RECOMMENDED PCB LAYOUT(TOP VIEW)

DEFAULT TOLERANCE: ± 0.05



NOTES;

1. Material:

1.1 Contact: Phosphor bronze, 0.20mm thickness.

2. FINISH:

2.1 Gold on contact area over Nickel under-plated overall.

DIM	TOL	DIM	TOL
x.x	± 0.30	x.x'	$\pm 3.0'$
x.xx	± 0.20	x.xx'	$\pm 2.0'$
x.xxx	± 0.10	x.xxx'	$\pm 1.0'$

SUNFUN		SUNFUN TECHNOLOGY LTD			
DRAW NO.	BCS012-400(A0)	DATE	MATERIAL: SEE NOTES	DRAW NAME:	
DESIGN:	Ben	06/15'20	FINISH: SEE NOTES	CELL SHRAPNEL- SMT TYPE WITH 1.20mm Height.	
CHECK:	Ben	06/15'20	FILE: BCS012-400(A0)	MODEL: CELL SHRAPNEL	
REVIEW:	David	06/15'20	P/N: BCS012-400	UNIT:	SHEET:
APPROVED	David	06/15'20	REV. A0	mm	1/1
			SCALE		