

| REV. | ECN NO. | LOCATIONS | DESCRIPTION | DATE | DESIGN |
|------|---------|-----------|-------------|----------|--------|
| A0 | | | New Release | 06/10'15 | Rui |

ORDERING INFORMATION

BTK10V-3S1 (XX T)

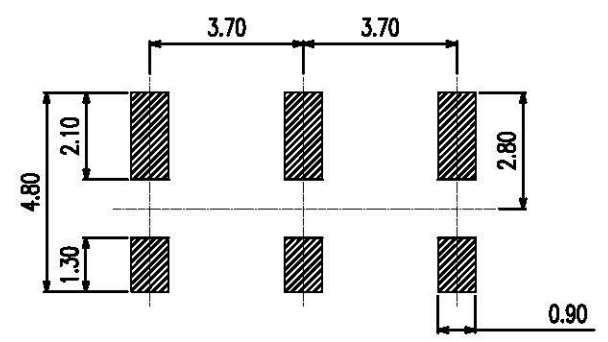
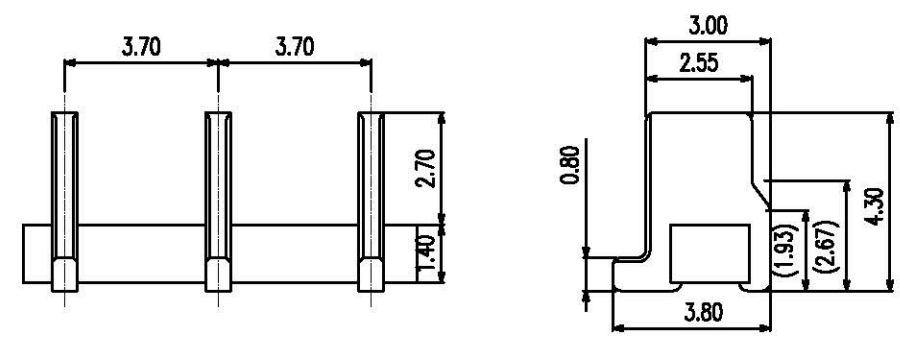
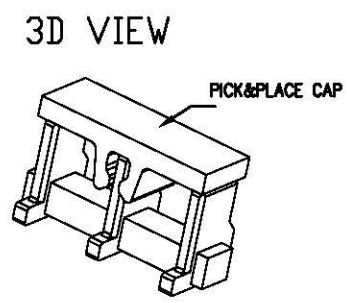
PRODUCT SERIES
Battery connector -
PIN type/ Vertical.

ITEM NO.:
Pitch 3.7mm/ 3pin/ 4.30H.

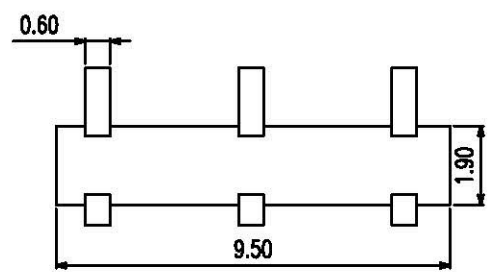
CUSTOMER DRAWING

RoHS Compliant

GOLD PLATING :
01: G/E.
05: 5u"
10: 10u"
15: 15u"
30: 30u"



RECOMMENDED PCB LAYOUT
TOP VIEW (.XX±0.05)



- NOTES:**
- MATERIAL**
1-1.HOUSING: HIGH TEMP, UL94V-0, LCP, BLACK COLOR.
1-2.CONTACT: COPPER ALLOY, C2680, T=0.60mm.
 - FINISH**
2-1.CONTACT: GOLD OVER NICKEL UNDER-PLATED OVER ALL.

| DIM | TOL | DIM | TOL |
|-------|-------|--------|-------|
| X.X | ±0.30 | X.X' | ±3.0' |
| X.XX | ±0.20 | X.XX' | ±2.0' |
| X.XXX | ±0.10 | X.XXX' | ±1.0' |

| SUNFUN | | SUNFUN TECHNOLOGY LTD | | | |
|-----------|----------------|-----------------------|----------|---|-----------------|
| DRAW NO.: | BTK10V-3S1(A0) | DATE: | 06/10'15 | MATERIAL: | SEE NOTES |
| DESIGN: | Rui | DATE: | 06/10'15 | FINISH: | SEE NOTES |
| CHECK: | Rui | DATE: | 06/10'15 | FILE: | BTK10V-3S1(A0) |
| REVIEW: | Eric | DATE: | 06/10'15 | P/N: | BTK10V-3S1(XXT) |
| APPROVE: | Eric | DATE: | 06/10'15 | REV. A0 | SCALE |
| | | DRAW NAME: | | BATTERY CONN - PIN TYPE VERTICAL/ P3.7/ 3PIN/4.30H | |
| | | MODEL: | | BATTERY-PIN TYPE | |
| | | UNIT: | mm | SHEET: | 1/1 |