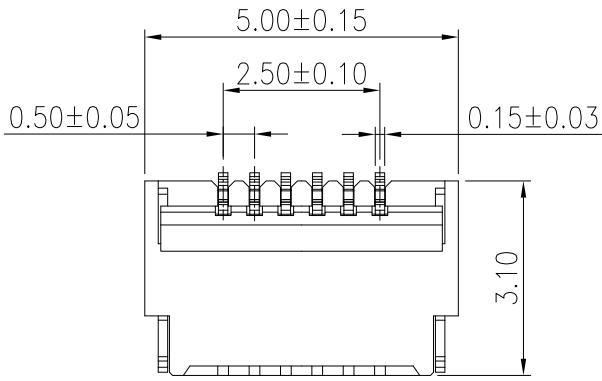
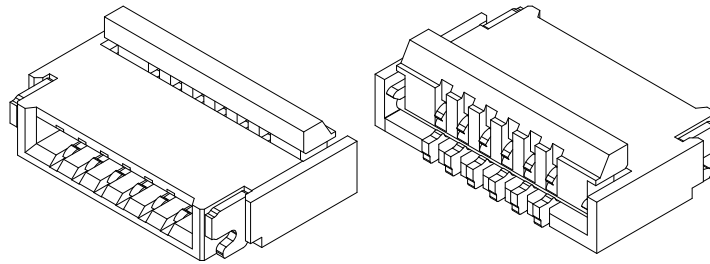


REV.	ECN NO.	LOCATIONS	DESCRIPTION	DATE	DESIGN
A0			NEW RELEASE	04/12'20	Michael



3D VIEW



ORDERING INFORMATION

FBL0510M-04 (XXR)

① ② ③ ④

① **PRODUCT SERIES**
ZIF FPC/FFC Connector
0.5Pitch 1.0H/ Back-Lock
SMT TYPE

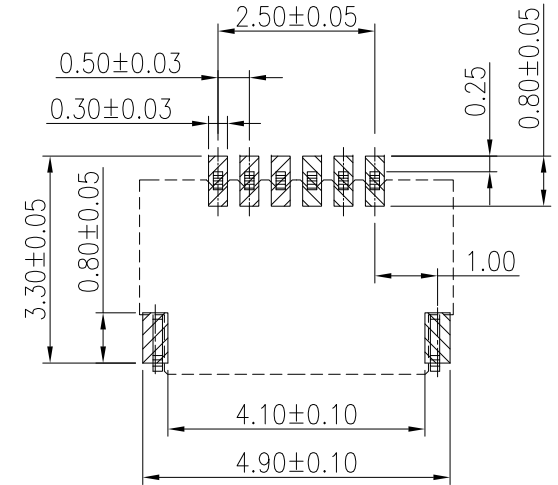
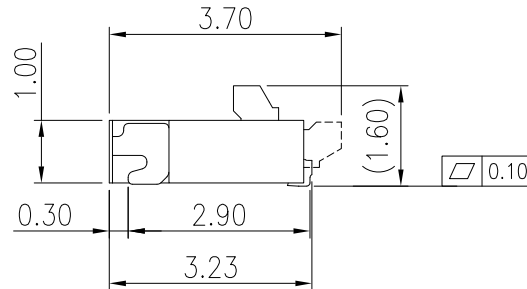
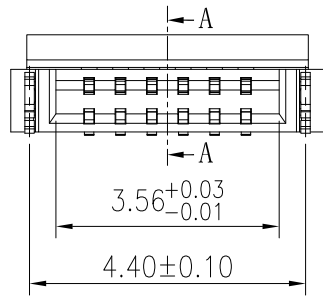
② **NUMBER OF CONTACTS**

CUSTOMER DRAWING

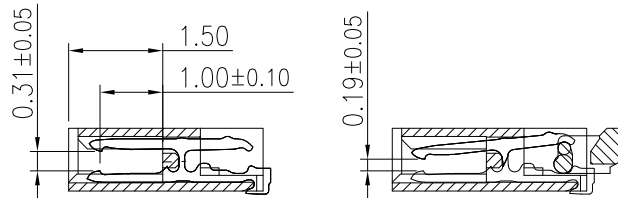
RoHS Compliant

③ **PLATING**
00: TIN PLATING.
01: GOLD PLATING.

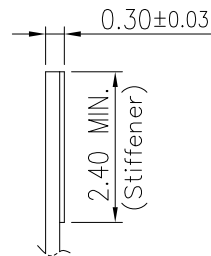
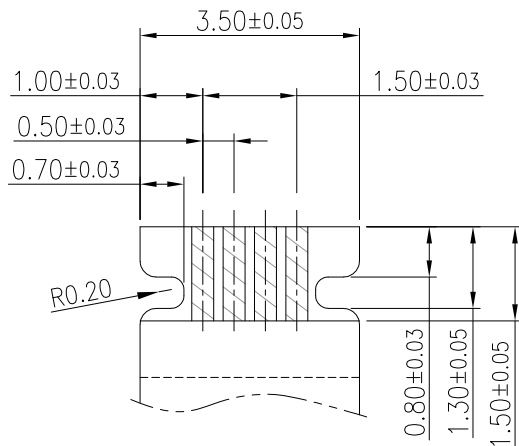
④ **PACKING**
R : Reel.



RECOMMEND PCB LAYOUT
TOLERANCE: ±0.05



SECTION:A-A



RECOMMENDED FPC/FFC DIMENSION

DIM	TOL
x	±0.40
x.x	±0.30
x.xx	±0.20
x.xxx	±0.10

Note:

1.Material

- 1.1: Housing: High-Temp.,UL94V-0.
- 1.2: Actuator: High-Temp.,UL94V-0.
- 1.3: Contact: Copper Alloy.
- 1.4: Fitting Nail: Copper Alloy.

2.Plating

- 2.1: Contact: Gold on contact area over Nickel under-plated overall.
- 2.2: Fitting Nail: Tin over Nickel under-plated overall.

SUNFUN		SUNFUN TECHNOLOGY LTD			
DRAW NO.	FBL0510M(A0)	DATE	MATERIAL: SEE NOTES	DRAW NAME:	
DESIGN:	Michael	04/12'20	FINISH: SEE NOTES	ZIF FPC/FFC Connector	
CHECK:	Michael	04/12'20	FILE: FBL0510M(A0)	0.5Pitch 1.0H/ Back-Lock	
REVIEW:	Carlos	04/12'20	P/N: FBL0510M-04(XXR)	SMT TYPE	
APPROVED	Carlos	04/12'20	REV. A0	SCALE	MODEL:P0.5 FPC CONN
				UNIT: mm	SHEET: 1/1