

REV.	ECN NO.	LOCATIONS	DESCRIPTION	DATE	DESIGN
A2			Update some details	02/23'13	Steven

ORDERING INFORMATION

FBX0520-XX (XXR)

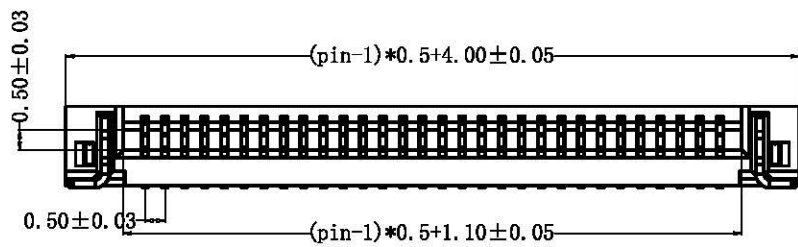
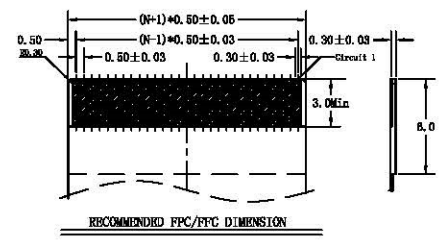
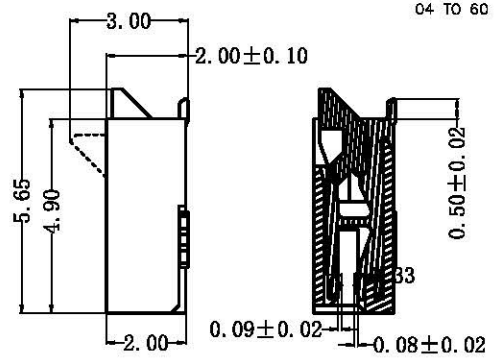
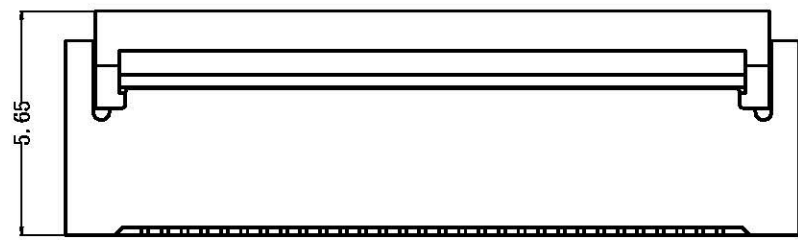
- 1
- 2
- 3

- 1 PRODUCT SERIES:
ZIF FPC/FFC 0.5Pitch 2.0H
CONNECTOR BACK-LOCK
SMT TYPE
- 2 NUMBER OF CONTACTS:
04 TO 60

CUSTOMER DRAWING

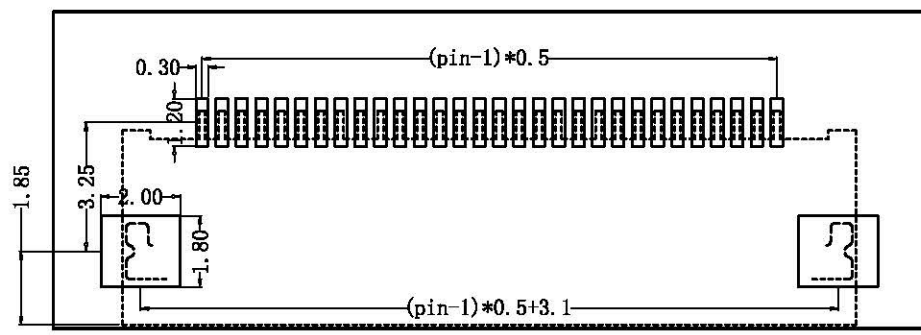
RoHS Compliant

- 3 PLATING:
11: TIN PLATING.
21: GOLD PLATING.



NOTES:

- MATERIAL:
HOUSING: HIGHT-TEMP, UL 94-V0.
COVER: HIGHT-TEMP, UL 94-V0.
CONTACT: COPPER ALLOY.
LEG: COPPER ALLOY.
- PLATING:
CONTACT: TIN OR GOLD PLATED ON CONTACT AREA
OVER NICKEL PLATED OVERALL.
LEG: TIN PLATED ON NICKEL OVERALL.



RECOMMENDED P. C. B PATTERN LAYOUT

DIM	TOL	DIM	TOL
X	±0.25	X'	±4.0'
X.X	±0.20	X.X'	±3.0'
X.XX	±0.10	X.XX'	±2.0'
X.XXX	±0.05	X.XXX'	±1.0'

SUNFUN SUNFUN TECHNOLOGY LTD

DRAW NO.	FBX0520(A2)	DATE	02/23'13	MATERIAL:	SEE NOTES	DRAW NAME:	ZIF FPC/FFC CONN - 0.5Pitch 2.0H Back-Lock SMT TYPE
DESIGN:	Steven	DATE	02/23'13	FINISH:	SEE NOTES	MODEL:	BACK LOCK FPC CONN-FC05/2.0H
CHECK:	Steven	DATE	02/23'13	FILE:	FBX0520 (A2)	UNIT:	mm
REVIEW:	Orlandor	DATE	02/23'13	P/N:	FBX0520-XX (XXR)	SHEET:	1/1
APPROVED	Orlandor	DATE	02/23'13	REV.	A2	SCALE	