

REV.	ECN NO.	LOCATIONS	DESCRIPTION	DATE	DESIGN
A0			NEW RELEASE	02/28'17	Steven

ORDERING INFORMATION

FHL0515 - XX(XX Z)

① ② ③

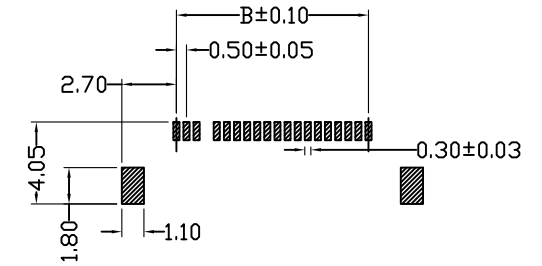
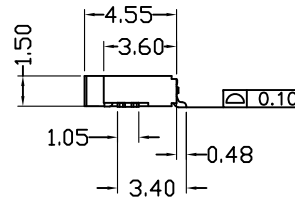
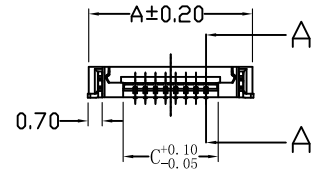
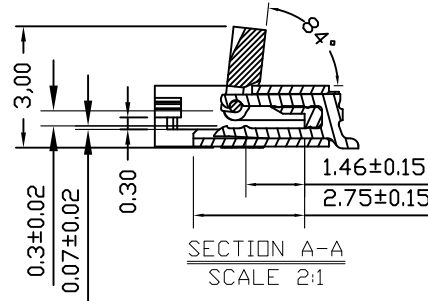
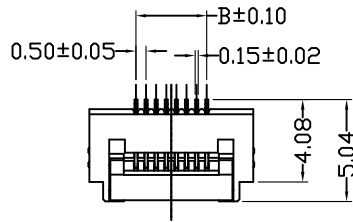
① **PRODUCT SERIES:**
ZIF FPC/FFC 0.5Pitch 1.5H
CONNECTOR FRONT-LOCK
SMT TYPE.

② **NUMBER OF CONTACTS:**
04~60 PIN.

CUSTOMER DRAWING

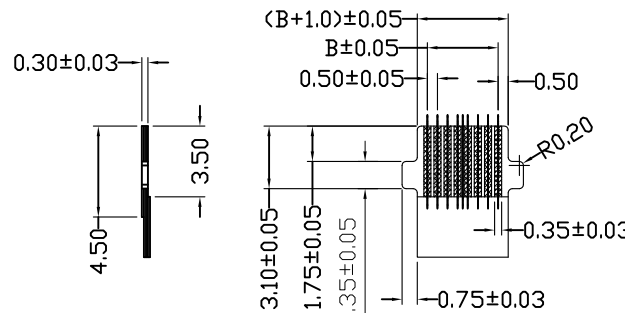
RoHS Compliant

③ **PLATING:**
11: TIN PLATING.
21: GOLD PLATING.



PCB LAYOUT
FPC/FFC INSERT DIRECTION

PIN NO.	DIM. A	DIM. B	DIM. C	PIN NO.	DIM. A	DIM. B	DIM. C
04	6.10	1.50	2.60	32	20.10	15.50	16.60
05	6.60	2.00	3.10	33	20.60	16.00	17.10
06	7.10	2.50	3.60	34	21.10	16.50	17.60
07	7.60	3.00	4.10	35	21.60	17.00	18.10
08	8.10	3.50	4.60	36	22.10	17.50	18.60
09	8.60	4.00	5.10	37	22.60	18.00	19.10
10	9.10	4.50	5.60	38	23.10	18.50	19.60
11	9.60	5.00	6.10	39	23.60	19.00	20.10
12	10.10	5.50	6.60	40	24.10	19.50	20.60
13	10.60	6.00	7.10	41	24.60	20.00	21.10
14	11.10	6.50	7.60	42	25.10	20.50	21.60
15	11.60	7.00	8.10	43	25.60	21.00	22.10
16	12.10	7.50	8.60	44	26.10	21.50	22.60
17	12.60	8.00	9.10	45	26.60	22.00	23.10
18	13.10	8.50	9.60	46	27.10	22.50	23.60
19	13.60	9.00	10.10	47	27.60	23.00	24.10
20	14.10	9.50	10.60	48	28.10	23.50	24.60
21	14.60	10.00	11.10	49	28.60	24.00	25.10
22	15.10	10.50	11.60	50	29.10	24.50	25.60
23	15.60	11.00	12.10	51	29.60	25.00	26.10
24	16.10	11.50	12.60	52	30.10	25.50	26.60
25	16.60	12.00	13.10	53	30.60	26.00	27.10
26	17.10	12.50	13.60	54	31.10	26.50	27.60
27	17.60	13.00	14.10	55	31.60	27.00	28.10
28	18.10	13.50	14.60	56	32.10	27.50	28.60
29	18.60	14.00	15.10	57	32.60	28.00	29.10
30	19.10	14.50	15.60	58	33.10	28.50	29.60
31	19.60	15.00	16.10	59	33.60	29.00	30.10
				60	34.10	29.50	30.60



PROPER CABLE

DIM	TOL	DIM	TOL
X	±0.25	X'	±4.0'
X.X	±0.20	X.X'	±3.0'
X.XX	±0.10	X.XX'	±2.0'
X.XXX	±0.05	X.XXX'	±1.0'

Note:

- 1.Material
 - 1.1: Housing: LCP UL94-V0 Color:Natural
 - 1.2: Actuator: LCP UL94-V0 Color:Black.
 - 1.3: Contact: Phosphor Bronze.
 - 1.4: LEG: Phosphor Bronze.
- 2.Plating
 - 2.1: Contact: See Part Number.
 - 2.2: LEG: Matte Tin Plating Over Nickel.
- 3.Rating:
 - 3.1: Operating Voltage: 50V AC/DC.
 - 3.2: Current Rating: 0.4A AC/DC.
 - 3.3: Operating Temperature: -55°C~+85°C.

SUNFUN		SUNFUN TECHNOLOGY LTD			
DRAW NO.	FHL0515(A0)	DATE	MATERIAL: SEE NOTES	DRAW NAME: ZIF FPC/FFC CONN - 0.5Pitch 1.5H Front-Lock SMT TYPE.	
DESIGN:	Steven	02/28'17	FINISH: SEE NOTES	MODEL: FRONT LOCK FPC CONN-P0.5I 1.5H	
CHECK:	Steven	02/28'17	FILE: FHL0515(A0)	UNIT:	SHEET: 1/1
REVIEW:	Orlandor	02/28'17	P/N: FHL0515-XX(XXZ)		
APPROVED	Orlandor	02/28'17	REV. A0	SCALE	