

REV.	ECN NO.	LOCATIONS	DESCRIPTION	DATE	DESIGN
A1			MODIFY SOME DETAIL	07/03'12	Orlando

CUSTOMER DRAWING

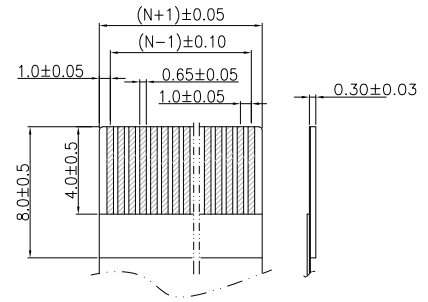
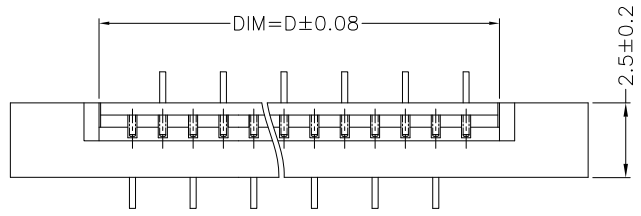
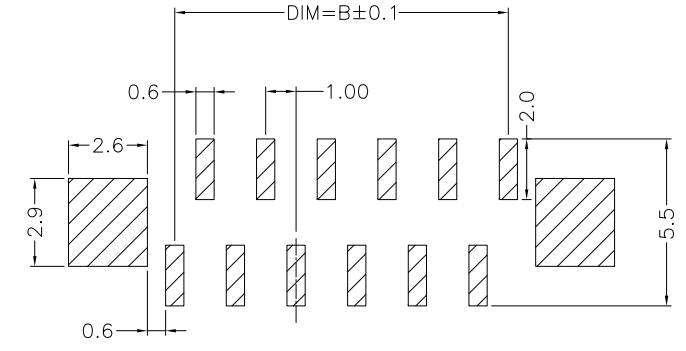
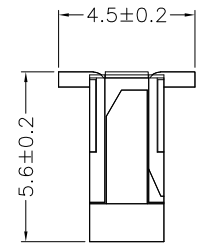
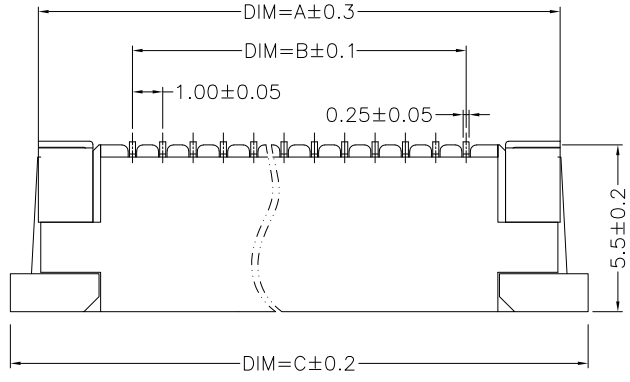
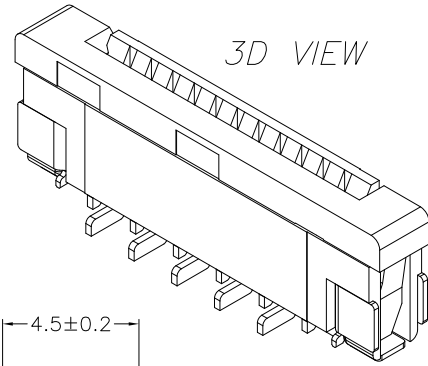
RoHS Compliant

ORDERING INFORMATION
FVZ1055 - XX (11 R)
 ① ② ③

① **PRODUCT SERIES**
 FPC/FFC CONN- Drawer type
 Vertical / Right Contact
 Pitch 1.0mm

② **NUMBER OF CONTACTS**
 04 TO 40

③ **PLATING & PACKING**
 11 : Tin plated



PIN	DIM A	DIM B	DIM C	DIM D
40	45.20	39.00	47.00	41.10
39	44.20	38.00	46.00	40.10
38	43.20	37.00	45.00	39.10
37	42.20	36.00	44.00	38.10
36	41.20	35.00	43.00	37.10
35	40.20	34.00	42.00	36.10
34	39.20	33.00	41.00	35.10
33	38.20	32.00	40.00	34.10
32	37.20	31.00	39.00	33.10
31	36.20	30.00	38.00	32.10
30	35.20	29.00	37.00	31.10
29	34.20	28.00	36.00	30.10
28	33.20	27.00	35.00	29.10
27	32.20	26.00	34.00	28.10
26	31.20	25.00	33.00	27.10
25	30.20	24.00	32.00	26.10
24	29.20	23.00	31.00	25.10
23	28.20	22.00	30.00	24.10
22	27.20	21.00	29.00	23.10
21	26.20	20.00	28.00	22.10
20	25.20	19.00	27.00	21.10
19	24.20	18.00	26.00	20.10
18	23.20	17.00	25.00	19.10
17	22.20	16.00	24.00	18.10
16	21.20	15.00	23.00	17.10
15	20.20	14.00	22.00	16.10
14	19.20	13.00	21.00	15.10
13	18.20	12.00	20.00	14.10
12	17.20	11.00	19.00	13.10
11	16.20	10.00	18.00	12.10
10	15.20	9.00	17.00	11.10
09	14.20	8.00	16.00	10.10
08	13.20	7.00	15.00	9.10
07	12.20	6.00	14.00	8.10
06	11.20	5.00	13.00	7.10
05	10.20	4.00	12.00	6.10
04	9.20	3.00	11.00	5.10

Note:

1. Material
 - 1.1: Housing: High Temperature plastic, UL94V-0.
 - 1.2: Actuator: High Temperature plastic, UL94V-0.
 - 1.3: Contact: Copper Alloy.
 - 1.4: Fit: Copper Alloy.
2. Plating
 - 2.1: Contact: Tin plated over Nickel on contact area.
Tin plated over Nickel on solder area.
 - 2.2: Fit: Tin plated over Nickel.

RECOMMENDED FPC/FFC DIMENSION

DIM	TOL
x	±0.25
x.x	±0.20
x.xx	±0.10
x.xxx	±0.05

SUNFUN		SUNFUN TECHNOLOGY LTD			
DRAW NO.	FVZ1055(A1)	DATE	MATERIAL: SEE NOTES		DRAW NAME:
DESIGN:	Orlando	07/03'12	FINISH: SEE NOTES		FPC/FFC CONN- Drawer type Vertical / Right Contact Pitch 1.0mm
CHECK:	Orlando	07/03'12	FILE: FVZ1055(A1)		MODEL: P1.0 FPC CONN
REVIEW:	John	07/03'12	P/N: FVZ1055(A0)-XX(11R)		UNIT: SHEET:
APPROVED	John	07/03'12	REV. A1	SCALE	mm 1/1