

REV.	ECN NO.	LOCATIONS	DESCRIPTION	DATE	DESIGN
A0			NEW RELEASE	08/08'17	Sky

CUSTOMER DRAWING
RoHS Compliant

ORDERING INFORMATION

MCBF - W2N1 (XX T)

① ② ③

① **PRODUCT SERIES**

Micro-USB connector - B type/ Female(PCB).

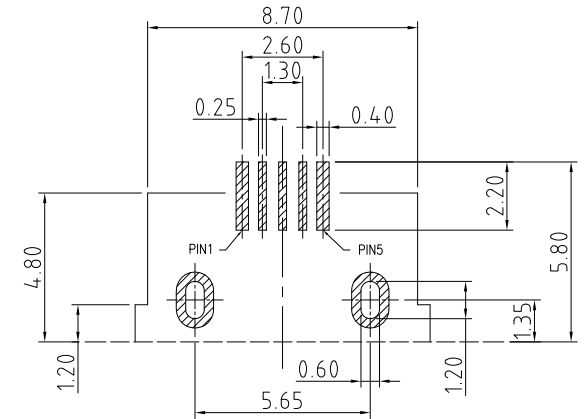
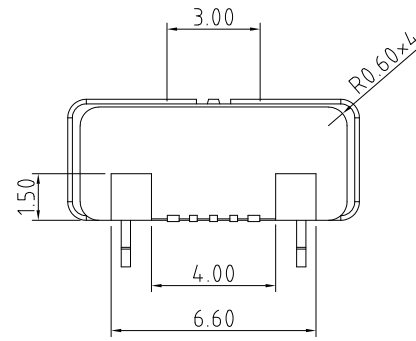
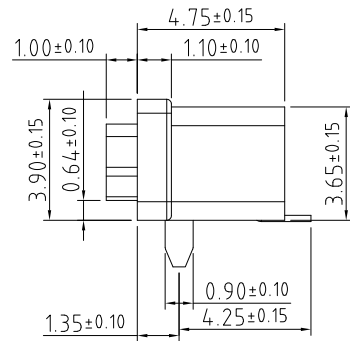
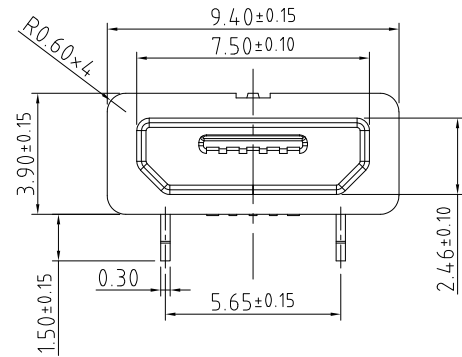
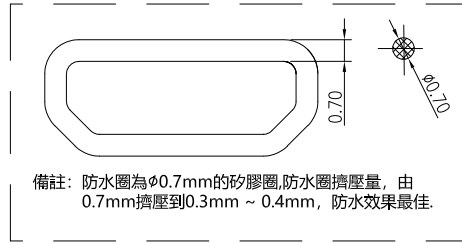
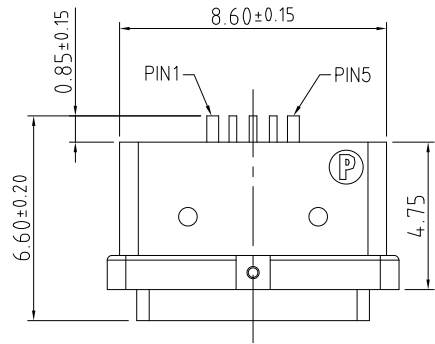
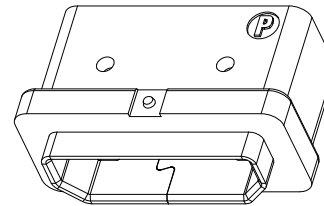
③ **GOLD PLATING :**

0.3: 3u".

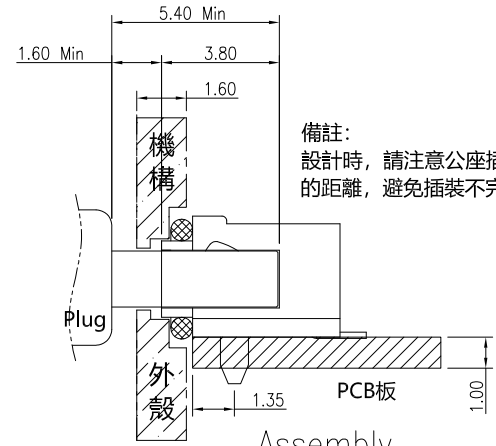
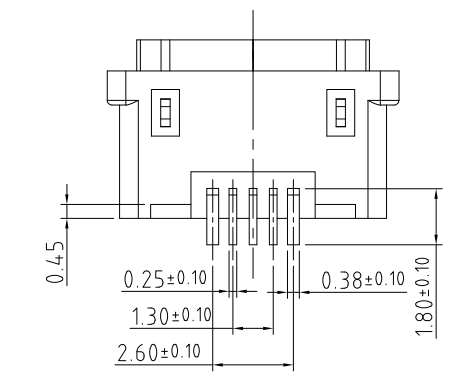
② **ITEM NO.**

Right Angle/ SMT + 2DIP
On board type/ Head 1.0mm length/ Waterproof IPX6

3D VIEW



RECOMMENDED PCB LAYOUT(TOP VIEW)
TOLERANCE:±0.05



備註:
設計時, 請注意公座插入時的距離, 避免插裝不完全。



NOTES:

- MATERIAL:
 - HOUSING: High-temp plastic, UL94V-0.
 - CONTACT: COPPER ALLOY.
 - SHELL: STAINLESS STEEL.
- FINISH:
 - CONTACT: Au 3u" PLATED ON CONTACT AREA; GOLD FLASH ON SOLDER TAILS; Ni 50u" MIN. UNDER-PLATED OVER ALL.
 - SHELL: NICKEL PLATED OVER ALL.

PIN NO.	PIN 1	PIN 2	PIN 3	PIN 4	PIN 5
Signal Name	VBUS	D-	D+	ID	GND

DIM	TOL	DIM	TOL
X.X	±0.30	X.X'	±3.0'
X.XX	±0.20	X.XX'	±2.0'
X.XXX	±0.10	X.XXX'	±1.0'

SUNFUN		SUNFUN TECHNOLOGY LTD			
DRAW NO.	MCBF-W2N1(A0)	DATE	08/08'17	MATERIAL:	SEE NOTES
DESIGN:	Sky	08/08'17	FINISH:	SEE NOTES	
CHECK:	Sky	08/08'17	FILE:	MCBF-W2N1(A0)	
REVIEW:	Eric	08/08'17	P/N:	MCBF-W2N1(XXT)	
APPROVED	Eric	08/08'17	REV.	A0	SCALE
			DRAW NAME:	Micro-USB BF CONN- R/A	
			SMT + 2DIP/ On board type		
			Head 1.0L/ Waterproof IPX6		
			MODEL:	Micro-BF CONN	
UNIT:	mm	SHEET:	1/1		