

REV.	ECN NO.	LOCATIONS	DESCRIPTION	DATE	DESIGN
A0			NEW RELEASE	08/08'17	Sky

ORDERING INFORMATION

MCBF - W2N2 (XX T)

① ② ③

① **PRODUCT SERIES**
Micro-USB connector -
B type/ Female(PCB).

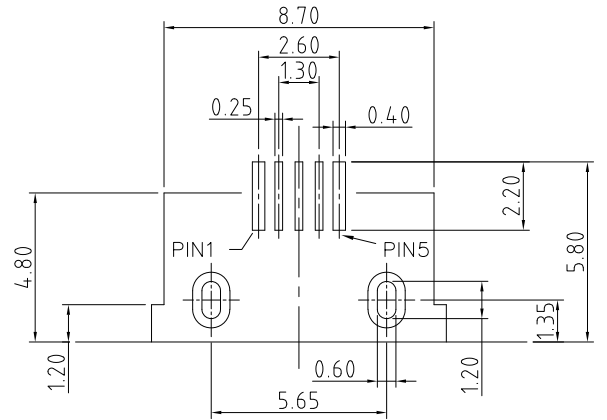
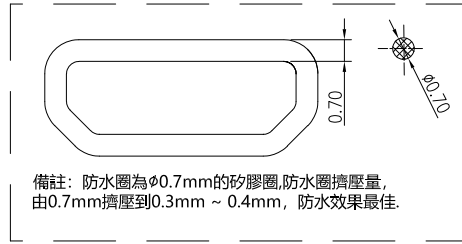
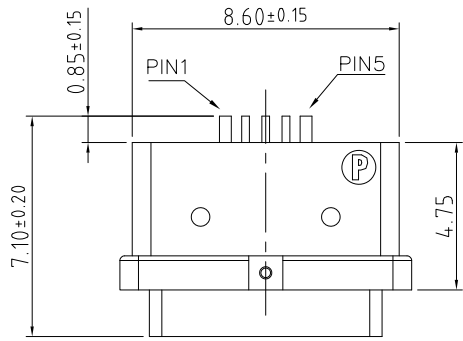
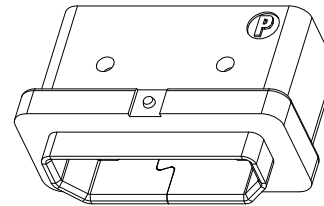
② **ITEM NO.**
Right Angle/ SMT + 2DIP
On board type/ Head 1.5mm
length/ Waterproof IPX6

CUSTOMER DRAWING

RoHS Compliant

③ **GOLD PLATING :**
0.3: 3u".

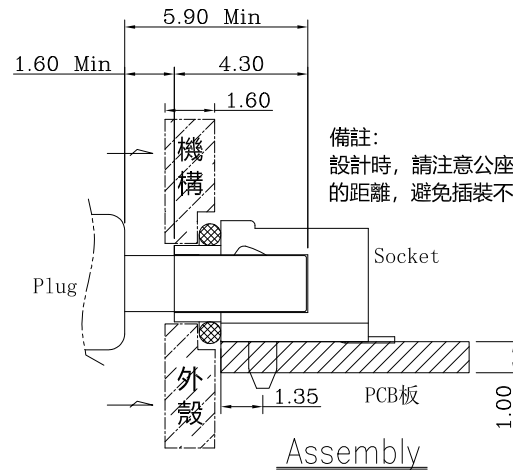
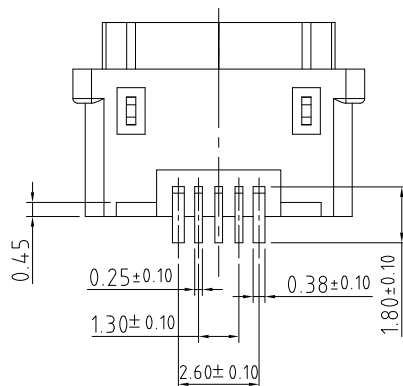
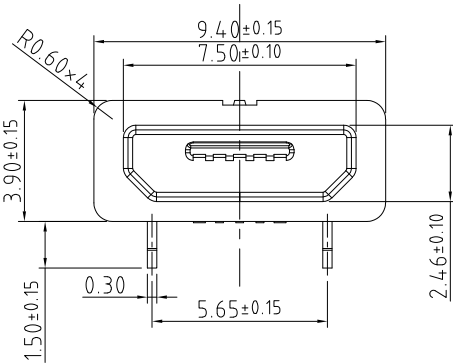
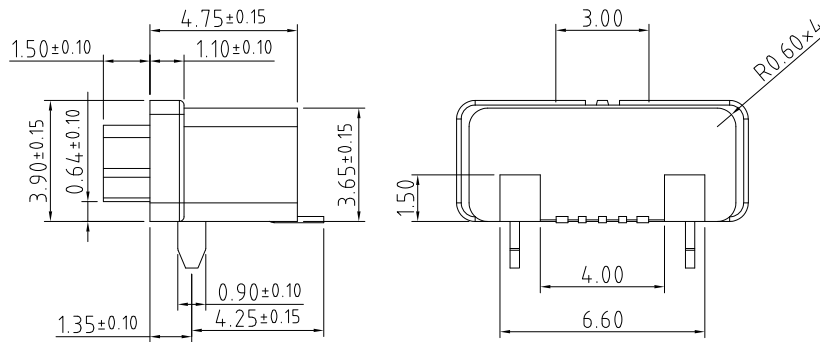
3D VIEW



RECOMMENDED PCB LAYOUT(TOP VIEW)
TOLERANCE:±0.05

NOTES:

- MATERIAL:**
 - HOUSING: HIGH-TEMP PLASTIC, UL94V-0.
 - CONTACT: COPPER ALLOY.
 - SHELL: STAINLESS STEEL.
- FINISH:**
 - CONTACT: Au 3u" PLATED ON CONTACT AREA; GOLD FLASH ON SOLDER TAILS; Ni 50u" MIN. UNDER-PLATED OVER ALL.
 - SHELL: NICKEL PLATED OVER ALL.



備註:
設計時, 請注意公座插入時的距離, 避免插裝不完全。

DIM	TOL	DIM	TOL
X.X	±0.30	X.X'	±3.0'
X.XX	±0.20	X.XX'	±2.0'
X.XXX	±0.10	X.XXX'	±1.0'

PIN NO.	PIN1	PIN2	PIN3	PIN4	PIN5
Signal Name	VBUS	D-	D+	ID	GND

SUNFUN		SUNFUN TECHNOLOGY LTD			
DRAW NO.	MCBF-W2N2(A0)	DATE	08/08'17	MATERIAL:	SEE NOTES
DESIGN:	Sky	DATE	08/08'17	FINISH:	SEE NOTES
CHECK:	Sky	DATE	08/08'17	FILE:	MCBF-W2N2(A0)
REVIEW:	Eric	DATE	08/08'17	P/N:	MCBF-W2N2(XXT)
APPROVED	Eric	DATE	08/08'17	REV.	A0
		SCALE			
DRAW NAME:			Micro-USB BF CONN- R/A		
			SMT + 2DIP/ On board type		
			Head 1.5L/ Waterproof IPX6		
MODEL:			Micro-BF CONN		
UNIT:	mm	SHEET:	1/1		