

REV.	ECN NO.	LOCATIONS	DESCRIPTION	DATE	DESIGN
A1			REVISED SOME DETAILS	01/09'20	Hank

ORDERING INFORMATION

MCCF - C2D3 (XX T)

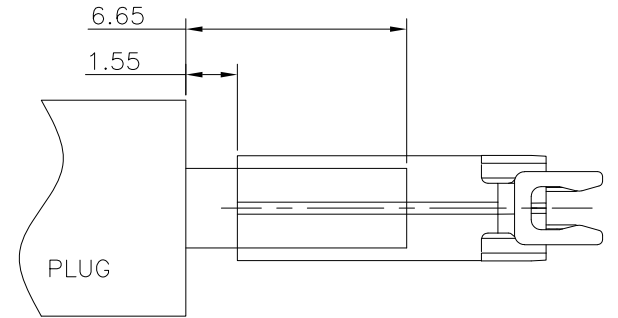
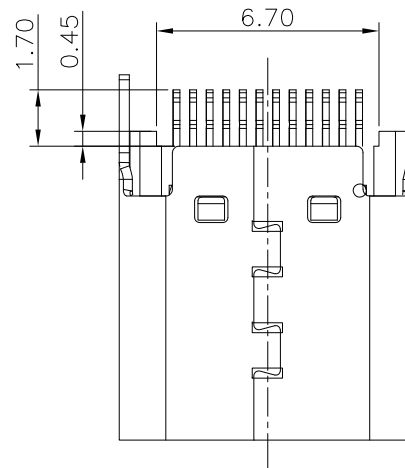
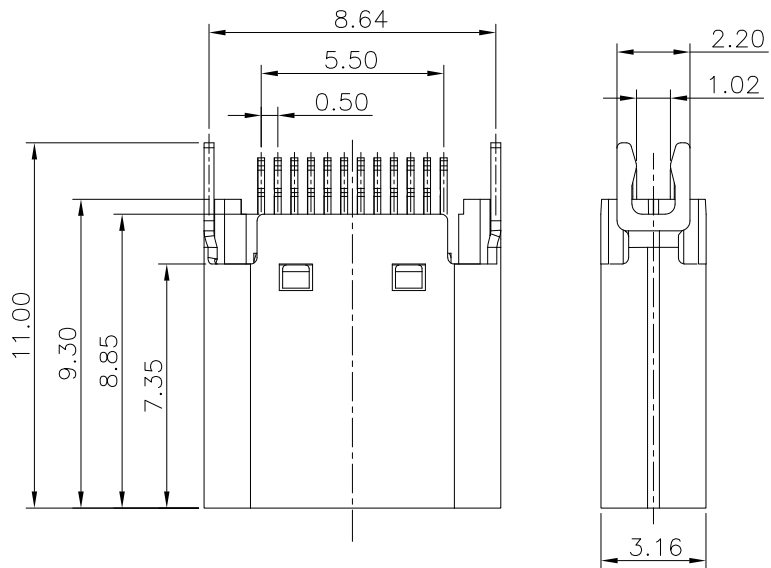
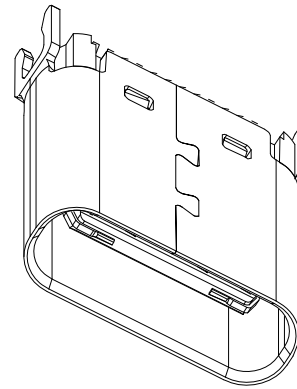
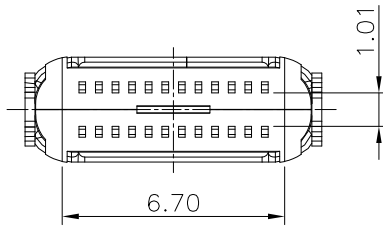
- ① PRODUCT SERIES:
USB C TYPE connector –
Receptacle (Female) side.
- ② ITEM NO.:
Straddle Type(1.0T)–Dual Row 24pin
Body 9.30L

CUSTOMER DRAWING

RoHS Compliant

- ③ GOLD PLATING :
03: 3u".
15: 15u".
30: 30u".

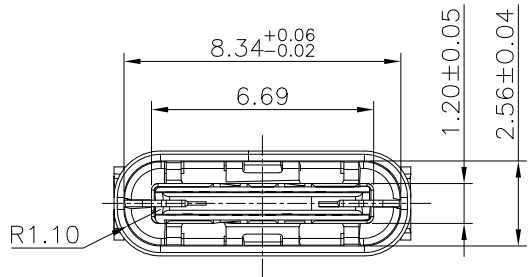
3D VIEW



AFTER MATING

NOTES:

1. MATERIAL:
 - (1) HOUSING: HIGH TEMP plastic, UL94 V-0.
 - (2) CONTACT: COPPER ALLOY.
 - (3) MID PLATE: STAINLESS STEEL.
 - (4) SHELL: STAINLESS STEEL.
2. PLATED:
 - (1) CONTACT: GOLD ON CONTACT AREA OVER NICKEL PLEATED OVERALL.
 - (2) SHELL: NICKEL PLATED OVERALL.
 - (3) MID PLATE: CLEAR ONLY



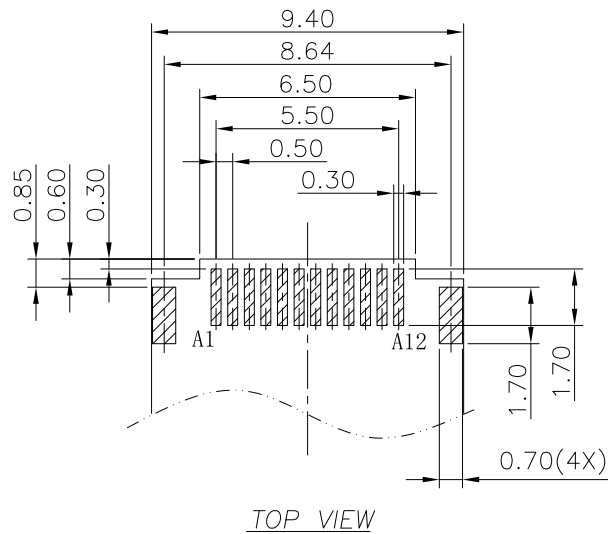
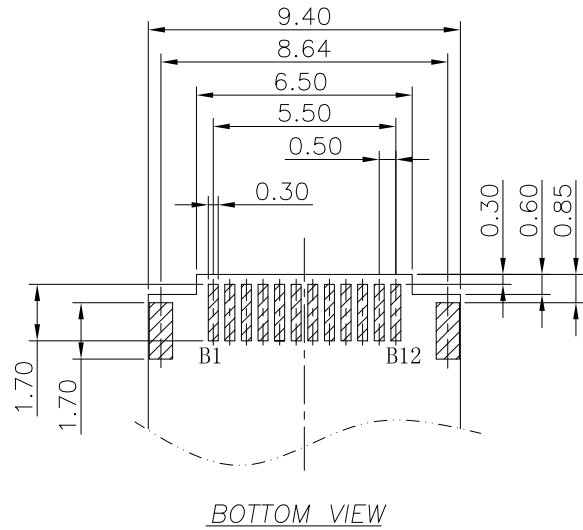
DIM	TOL
X.X	±0.30
X.XX	±0.20
X.XXX	±0.10

SUNFUN		SUNFUN TECHNOLOGY LTD			
DRAW NO.	MCCF-C2D3(A1)	DATE	MATERIAL: SEE NOTES	DRAW NAME:	
DESIGN:	Hank	01/09'20	FINISH: SEE NOTES	USB C Type CONN - FEMALE	
CHECK:	Hank	01/09'20	FILE: MCCF-C2D3(A1)	Straddle Type(1.0T)–Dual Row 24pin	
REVIEW:	Rui	01/09'20	P/N: MCCF-C2D3(XXT)	Body 9.30L	
APPROVED	Rui	01/09'20	REV. A1	SCALE	MODEL: USB C TYPE CONN
				UNIT: mm	SHEET: 1/2

REV.	ECN NO.	LOCATIONS	DESCRIPTION	DATE	DESIGN
A1			REVISED SOME DETAILS	01/09'20	Hank

CUSTOMER DRAWING

RoHS Compliant



USB TYPE-C PIN ASSIGNMENTS

PIN NO	SIGNAL NAME	PIN NO	SIGNAL NAME
A1	GND	B12	GND
A2	SSTXp1	B11	SSRXp1
A3	SSTXn1	B10	SSRXn1
A4	Vbus	B9	Vbus
A5	CC1	B8	SBU2
A6	Dp1	B7	Dn2
A7	Dn1	B6	Dp2
A8	SBU1	B5	CC2
A9	Vbus	B4	Vbus
A10	SSRXn2	B3	SSTXn2
A11	SSRXp2	B2	SSTXp2
A12	GND	B1	GND

RECOMMENDED P.C.B. LAYOUT
THICKNESS 1.00±0.05MM

DIM	TOL
X.X	±0.30
X.XX	±0.20
X.XXX	±0.10

SUNFUN		SUNFUN TECHNOLOGY LTD			
DRAW NO:	MCCF-C2D3(A1)	DATE:	06/19'20	MATERIAL:	SEE NOTES
DESIGN:	Hank	FINISH:	SEE NOTES	FILE:	MCCF-C2D3(A1)
CHECK:	Hank	P/N:	MCCF-C2D3(XXT)	REV. A1	SCALE
REVIEW:	Rui	APPROVED:	Rui	DATE:	06/19'20
MODEL:	USB C TYPE CONN				
UNIT:	mm	SHEET:	2/2		
DRAW NAME:	USB C Type CONN - FEMALE Straddle Type(1.0T) - Dual Row 24pin Body 9.30L				