

REV.	ECN NO.	LOCATIONS	DESCRIPTION	DATE	DESIGN
A1			MODIFY THE NOTES DESCRIPTION	04/07'20	Hank

ORDERING INFORMATION

MCCF - R0N1 (XX T)

① ② ③

① PRODUCT SERIES:

USB C TYPE connector -
Receptacle (Female) side.

② ITEM NO.:

Right Angle-Single Row SMD 6 pin
Body 6.9L/ Shell 2.0 Dip

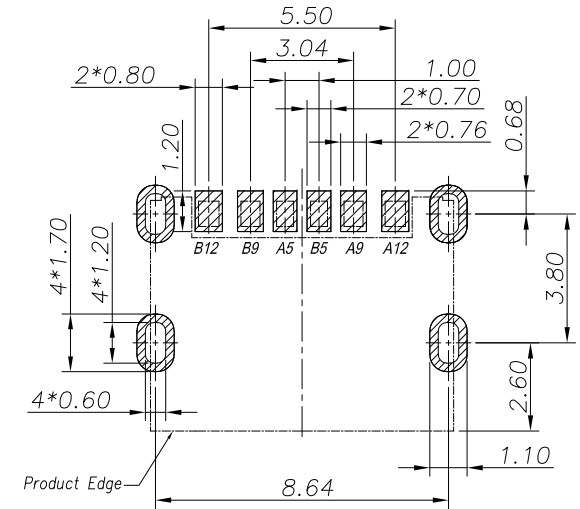
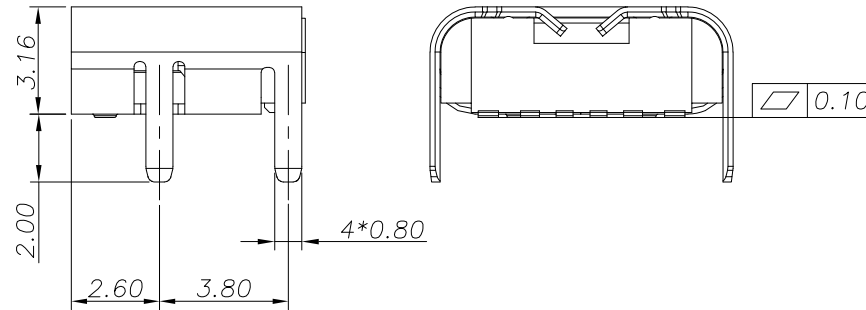
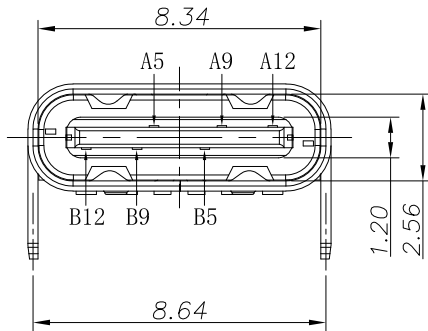
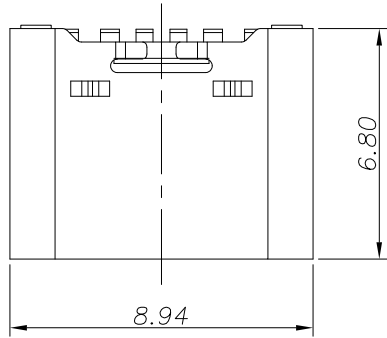
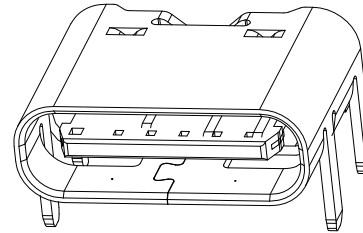
CUSTOMER DRAWING

RoHS Compliant

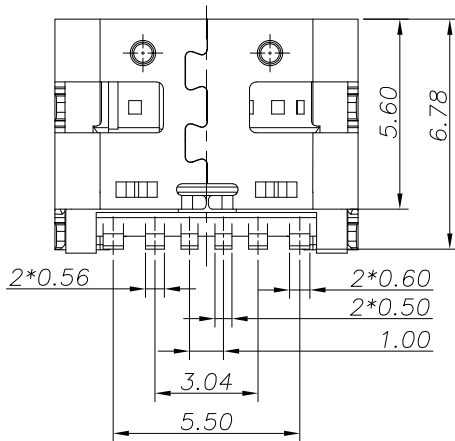
③ GOLD PLATING :

03: 3u".
15: 15u".
30: 30u".

3D VIEW



RECOMMENDED PCB LAYOUT



PIN ASSIGNMENTS

PIN	SIGNAL NAME	PIN	SIGNAL NAME
A5	CC1	B12	GND
A9	VBUS	B9	VBUS
A12	GND	B5	CC2

NOTES:

1. MATERIAL:

- (1) HOUSING: HIGH TEMP plastic, UL94 V-0.
- (2) CONTACT: COPPER ALLOY.
- (3) MID PLATE: STAINLESS STEEL.
- (4) SHELL: STAINLESS STEEL.

2. PLATED:

- (1) CONTACT: GOLD ON CONTACT AREA OVER NICKEL PLEATED OVERALL.
- (2) SHELL: NICKEL PLATED OVERALL.
- (3) MID PLATE: CLEAR ONLY

SUNFUN

SUNFUN TECHNOLOGY LTD

DRAW NO.	MCCF-R0N1(A1)	DATE	04/07'20	MATERIAL:	SEE NOTES	DRAW NAME:	USB C Type CONN - FEMALE
DESIGN:	Hank	04/07'20	FINISH:	SEE NOTES	FILE:	MCCF-R0N1(A1)	Right Angle-Single Row SMD 6 pin
CHECK:	Hank	04/07'20	P/N:	MCCF-R0N1(XXT)	REV.	A1	Body 6.9L/ Shell 2.0 Dip
REVIEW:	Rui	04/07'20	SCALE		MODEL:	USB C TYPE CONN	
APPROVED	Rui	04/07'20	UNIT:	mm	SHEET:	1/1	

DIM	TOL
X.X	±0.30
X.XX	±0.20
X.XXX	±0.10