

REV.	ECN NO.	LOCATIONS	DESCRIPTION	DATE	DESIGN
A1			ADD LASER WELD AREA MARK	03/31'20	Hank

3D VIEW

ORDERING INFORMATION

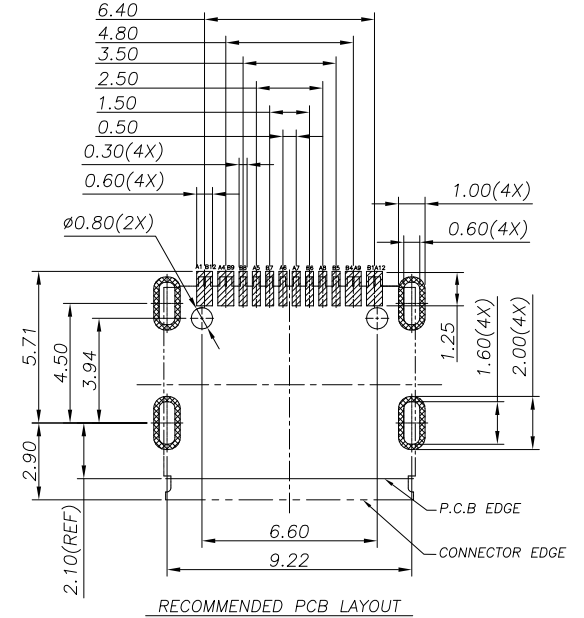
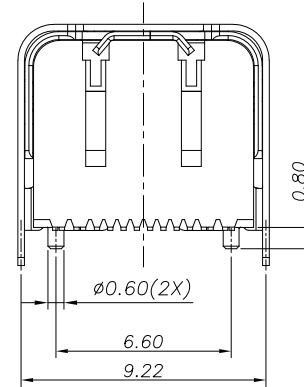
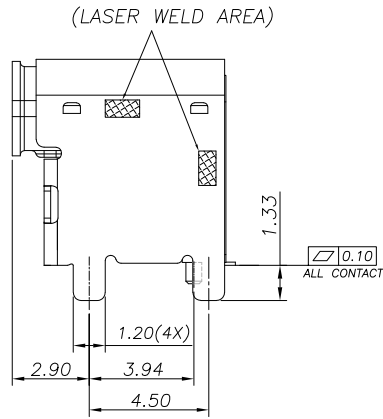
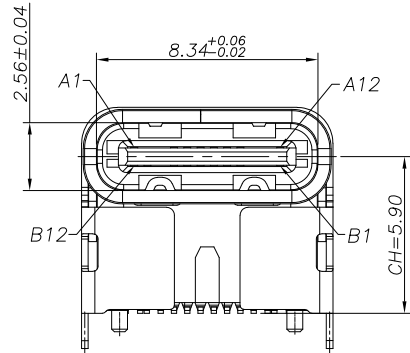
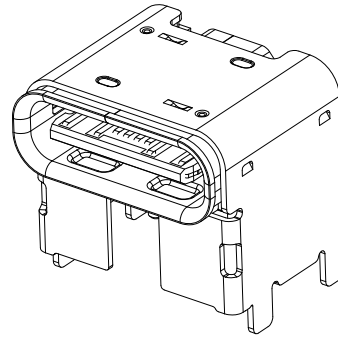
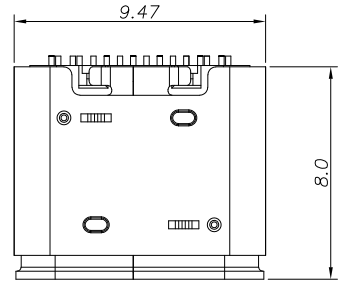
MCCF - R1H1 (XX T)

- ① **PRODUCT SERIES:**
USB C TYPE connector -
Receptacle (Female) side.
- ② **ITEM NO.:**
Right Angle- Single Row SMD 16 pin
Stand off 4.3mm/ With Post

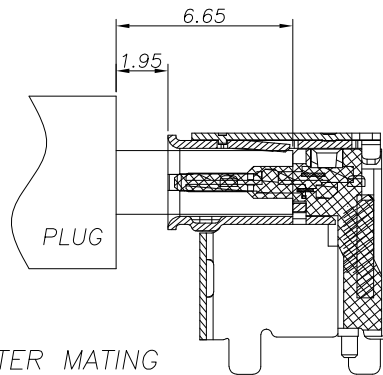
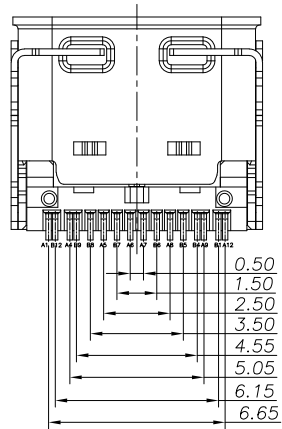
CUSTOMER DRAWING

RoHS Compliant

- ③ **GOLD PLATING :**
03: 3u".
15: 15u".
30: 30u".



RECOMMENDED PCB LAYOUT



AFTER MATING

NOTES:

1. MATERIAL:
 - (1) HOUSING: HIGH TEMP plastic, UL94 V-0.
 - (2) CONTACT: COPPER ALLOY.
 - (3) MID PLATE: STAINLESS STEEL.
 - (4) SHELL: STAINLESS STEEL.
2. PLATED:
 - (1) CONTACT: GOLD ON CONTACT AREA OVER NICKEL PLEATED OVERALL.
 - (2) SHELL: NICKEL PLATED OVERALL.
 - (3) MID PLATE: CLEAR ONLY

PIN ASSIGNMENTS

PIN NO.	A1	A4	A5	A6	A7	A8	A9	A12
SIGNAL NAME	GND	VBUS	CC1	Dp1	Dn1	SBU1	VBUS	GND
PIN NO.	B12	B9	B8	B7	B6	B5	B4	B1
SIGNAL NAME	GND	VBUS	SBU2	Dn2	Dp2	CC2	VBUS	GND

DIM	TOL
X.X	±0.30
X.XX	±0.20
X.XXX	±0.10

SUNFUN		SUNFUN TECHNOLOGY LTD			
DRAW NO.	MCCF-R1H1(A1)	DATE	MATERIAL: SEE NOTES	DRAW NAME:	
DESIGN:	Hank	03/31'20	FINISH: SEE NOTES	USB C Type CONN - FEMALE	
CHECK:	Hank	03/31'20	FILE: MCCF-R1H1(A1)	Single Row 16 pin/ Right Angle	
REVIEW:	Rui	03/31'20	P/N: MCCF-R1H1(XXT)	Stand off 4.3mm/ With Post	
APPROVED	Rui	03/31'20	REV. A1	MODEL: USB C TYPE CONN	
			SCALE	UNIT: mm	SHEET: 1/1