

REV.	ECN NO.	LOCATIONS	DESCRIPTION	DATE	DESIGN
A2			MODIFY THE MOLDING PART	11/28'19	Hank

ORDERING INFORMATION

MCCF - R1N1 (XX T)

① PRODUCT SERIES:
USB C TYPE connector -
Receptacle (Female) side.

② ITEM NO.:

Right Angle- Single Row SMD 16pin
Standard on board type.

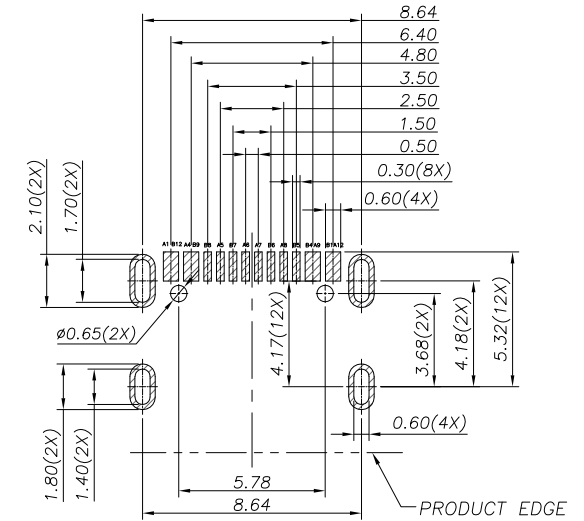
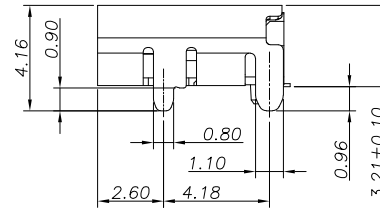
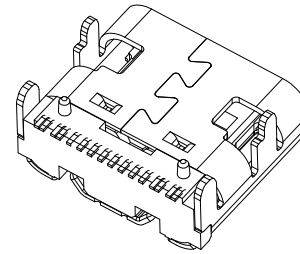
CUSTOMER DRAWING

RoHS Compliant

③ GOLD PLATING :

03: 3u".
15: 15u".
30: 30u".

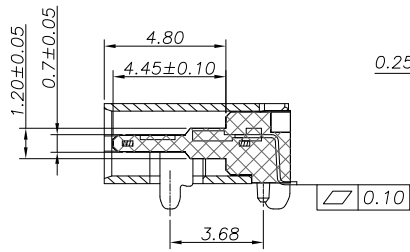
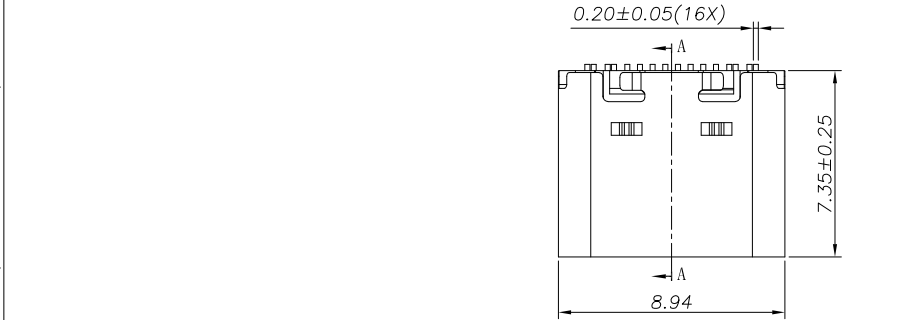
3D VIEW



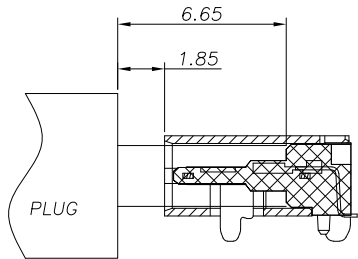
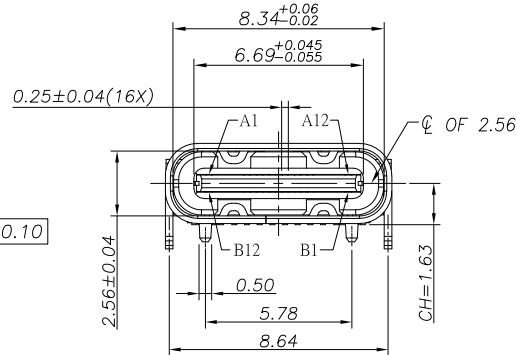
RECOMMENDED P.C.B. LAYOUT

NOTES:

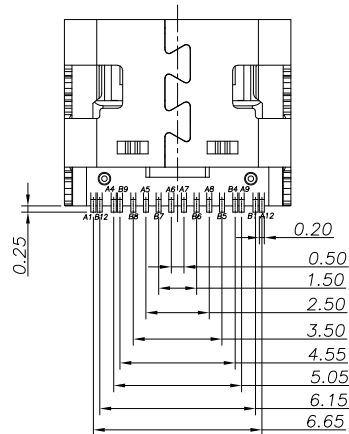
- MATERIAL:
 - HOUSING: HIGH TEMP plastic, UL94 V-0.
 - CONTACT: COPPER ALLOY.
 - MID PLATE: STAINLESS STEEL.
 - SHELL: STAINLESS STEEL.
- PLATED:
 - CONTACT: GOLD ON CONTACT AREA OVER NICKEL PLEATED OVERALL.
 - SHELL: NICKEL PLATED OVER ALL.
 - MID PLATE: CLEAR ONLY



SECTION:A-A



AFTER MATING



PIN ASSIGNMENTS

PIN NO.	A1	A4	A5	A6	A7	A8	A9	A12
SIGNAL NAME	GND	VBUS	CC1	Dp1	Dn1	SBU1	VBUS	GND
PIN NO.	B12	B9	B8	B7	B6	B5	B4	B1
SIGNAL NAME	GND	VBUS	SBU2	Dn2	Dp2	CC2	VBUS	GND

DIM	TOL
X.X	±0.30
X.XX	±0.20
X.XXX	±0.10

SUNFUN		SUNFUN TECHNOLOGY LTD			
DRAW NO.	MCCF-R1N1(A2)	DATE	11/28'19	MATERIAL:	SEE NOTES
DESIGN:	Hank	DATE	11/28'19	FINISH:	SEE NOTES
CHECK:	Hank	DATE	11/28'19	FILE:	MCCF-R1N1(A2)
REVIEW:	Rui	DATE	11/28'19	P/N:	MCCF-R1N1(XXT)
APPROVED	Rui	DATE	11/28'19	REV.	A2
		SCALE			
DRAW NAME:		USB C Type CONN - FEMALE Right Angle- Single Row SMD 16pin Standard on board type.			
MODEL:		USB C TYPE CONN			
UNIT:	mm	SHEET:	1/1		