

REV.	ECN NO.	LOCATIONS	DESCRIPTION	DATE	DESIGN
A1			UPDATE SOME MATERIAL DETAILS	03/06'18	Hank

ORDERING INFORMATION

MCCF - R1N2 (XX T)

① ② ③

① **PRODUCT SERIES:**

USB C TYPE connector -
Receptacle (Female) side.

② **ITEM NO.:**

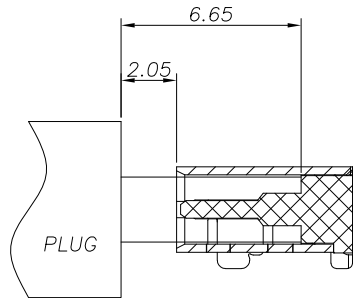
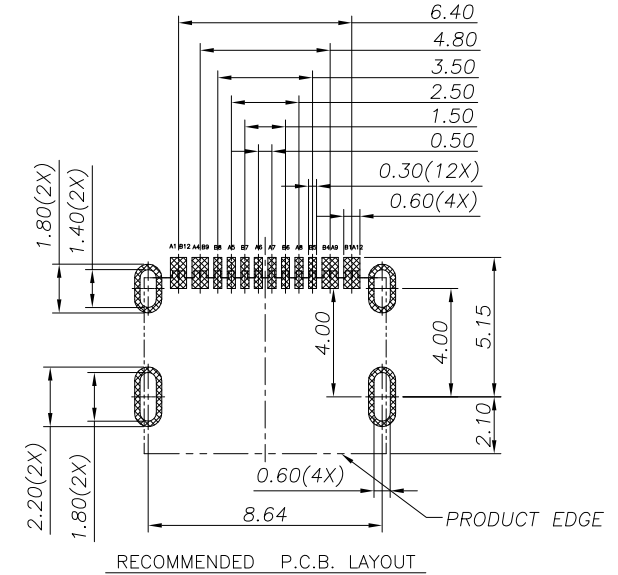
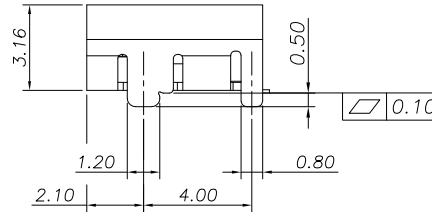
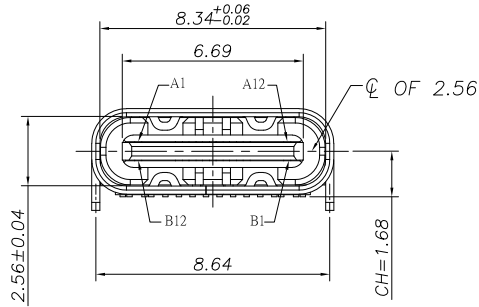
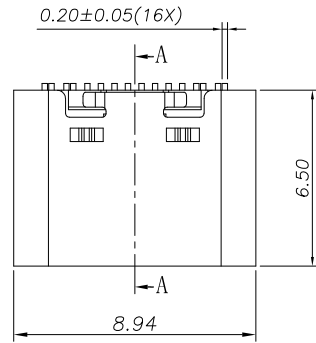
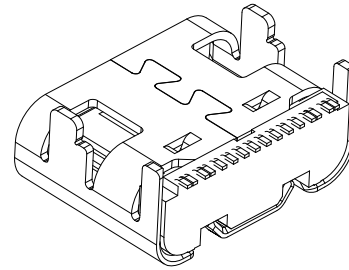
Right Angle- Single Row SMD 16pin + Shell 0.5DIP
Body 6.5L/ Standard on board type.

CUSTOMER DRAWING
RoHS Compliant

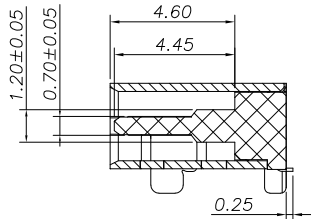
③ **GOLD PLATING :**

03: 3u"
15: 15u"
30: 30u"

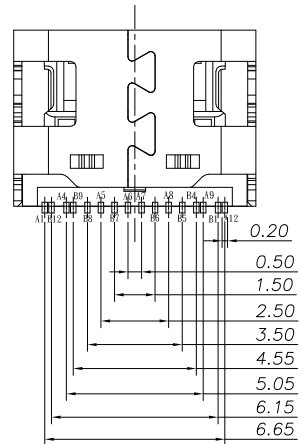
3D VIEW



AFTER MATING



SECTION:A-A



PIN ASSIGNMENTS

PIN NO.	A1	A4	A5	A6	A7	A8	A9	A12
SIGNAL NAME	GND	VBUS	CC1	Dp1	Dn1	SBU1	VBUS	GND
PIN NO.	B12	B9	B8	B7	B6	B5	B4	B1
SIGNAL NAME	GND	VBUS	SBU2	Dn2	Dp2	CC2	VBUS	GND

DIM	TOL
x.x	±0.30
x.xx	±0.20
x.xxx	±0.10

NOTES:

1. MATERIAL:

- (1) HOUSING: HIGH TEMP plastic, UL94 V-0.
- (2) CONTACT: COPPER ALLOY.
- (3) MID PLATE: STAINLESS STEEL.
- (4) SHELL: STAINLESS STEEL.

2. PLATED:

- (1) CONTACT: GOLD ON CONTACT AREA OVER NICKEL PLEATED OVERALL.
- (2) SHELL: NICKEL PLATED OVER ALL.
- (3) MID PLATE: CLEAR ONLY

SUNFUN		SUNFUN TECHNOLOGY LTD			
DRAW NO.	MCCF-R1N2(A1)	DATE	03/06'18	MATERIAL:	SEE NOTES
DESIGN:	Hank	03/06'18	FINISH:	SEE NOTES	DRAW NAME:
CHECK:	Hank	03/06'18	FILE:	MCCF-R1N2(A1)	USB C Type CONN - FEMALE/ RA
REVIEW:	Rui	03/06'18	P/N:	MCCF-R1N2(XXT)	Single row 16pin + shell 0.5dip
APPROVED	Rui	03/06'18	REV. A1	SCALE	Body 6.5L/ Standard on board type
			MODEL:		USB C TYPE CONN
			UNIT:	SHEET:	1/1
			mm		