

REV.	ECN NO.	LOCATIONS	DESCRIPTION	DATE	DESIGN
A0			NEW RELEASE	08/18'19	Hank

CUSTOMER DRAWING

RoHS Compliant

ORDERING INFORMATION

MCCF - R1W2 (XX T)

① ② ③

① PRODUCT SERIES:

USB C TYPE connector –
Receptacle (Female) side.

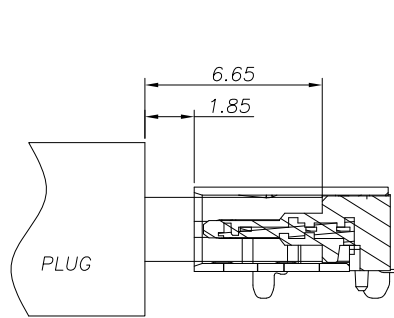
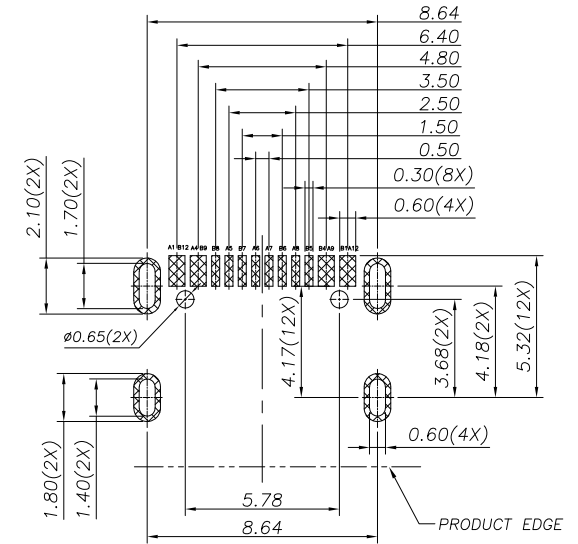
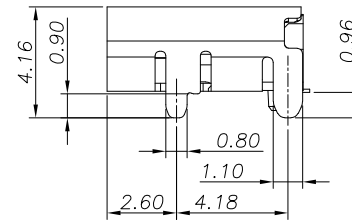
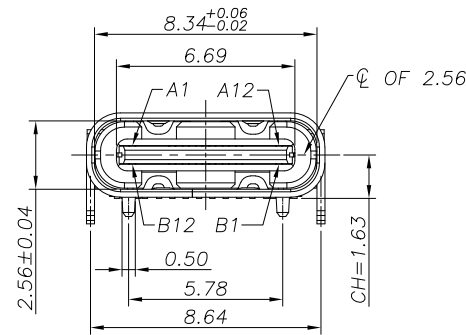
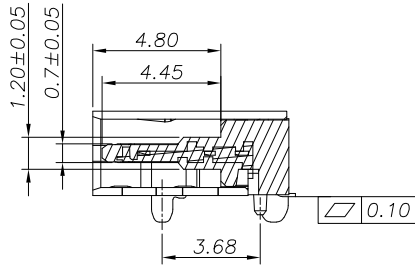
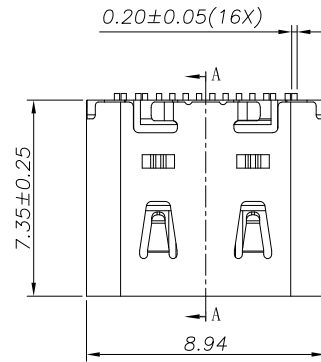
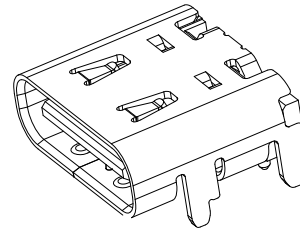
② ITEM NO.:

Right Angle– Single Row SMD 16pin
On board type/ Body 7.35L

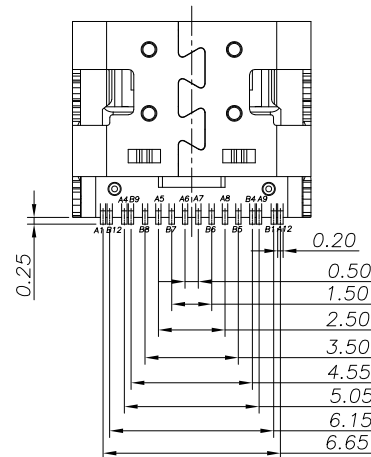
③ GOLD PLATING :

03: 3u".
15: 15u".
30: 30u".

3D VIEW



AFTER MATING



PIN ASSIGNMENTS

PIN NO.	A1	A4	A5	A6	A7	A8	A9	A12
SIGNAL NAME	GND	VBUS	CC1	Dp1	Dn1	SBU1	VBUS	GND
PIN NO.	B12	B9	B8	B7	B6	B5	B4	B1
SIGNAL NAME	GND	VBUS	SBU2	Dn2	Dp2	CC2	VBUS	GND

NOTES:

1. MATERIAL:

- (1) HOUSING: HIGH TEMP plastic, UL94 V-0.
- (2) CONTACT: COPPER ALLOY.
- (3) MID PLATE: STAINLESS STEEL.
- (4) SHELL: STAINLESS STEEL.

2. PLATED:

- (1) CONTACT: GOLD ON CONTACT AREA OVER NICKEL PLEATED OVERALL.
- (2) SHELL: NICKEL PLATED OVERALL.
- (3) MID PLATE: CLEAR ONLY

SUNFUN

SUNFUN TECHNOLOGY LTD

DRAW NO.	MCCF-R1W2(A0)	DATE	08/18'19	MATERIAL: SEE NOTES	DRAW NAME:
DESIGN:	Hank	08/18'19	FINISH: SEE NOTES	FILE: MCCF-R1W2(A0)	USB C Type CONN – FEMALE Right Angle– Single Row SMD 16pin On board type /Body 7.35L
CHECK:	Hank	08/18'19	P/N: MCCF-R1W2(XXT)	MODEL: USB C TYPE CONN	UNIT: mm
REVIEW:	Rui	08/18'19	REV. A0	SCALE	SHEET: 1/1
APPROVED	Rui	08/18'19			

DIM	TOL
X.X	±0.30
X.XX	±0.20
X.XXX	±0.10

