

REV.	ECN NO.	LOCATIONS	DESCRIPTION	DATE	DESIGN
A1			REVISED SOME DETAILS	04/09'20	Hank

CUSTOMER DRAWING

RoHS Compliant

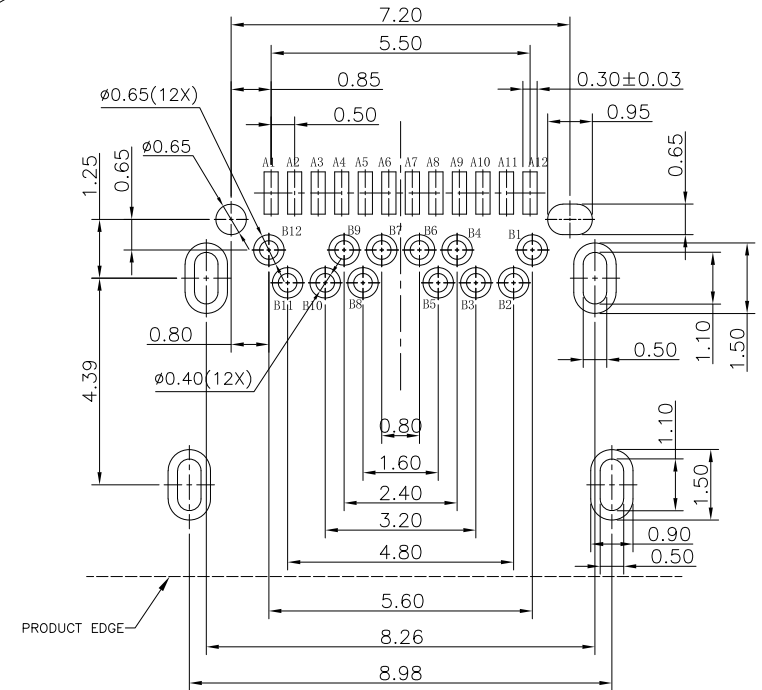
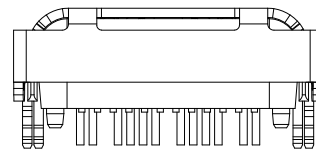
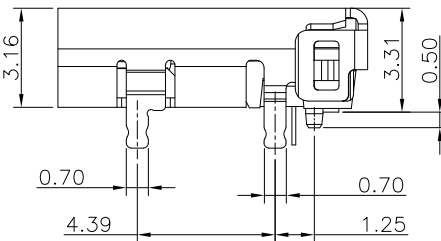
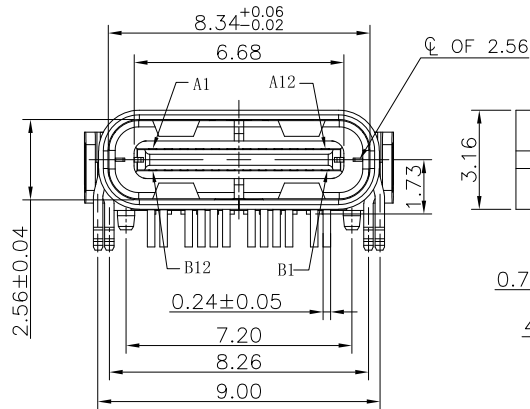
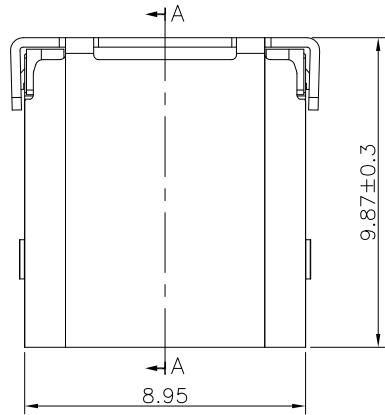
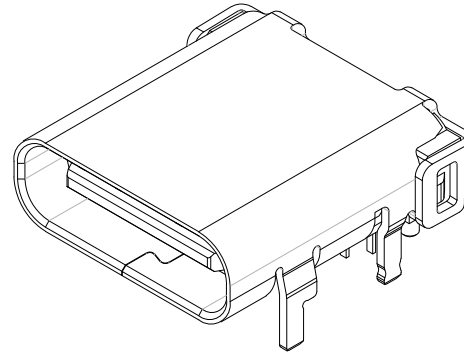
ORDERING INFORMATION

MCCF - R2D2 (XX T)

- ① **PRODUCT SERIES:**
USB C TYPE connector -
Receptacle (Female) side.
- ② **ITEM NO.:**
Right Angle-Dual Row 24 pin
DIP(1.20L)+SMD PIN/ Body 9.87L

- ③ **GOLD PLATING :**
03: 3u".
15: 15u".
30: 30u".

3D VIEW

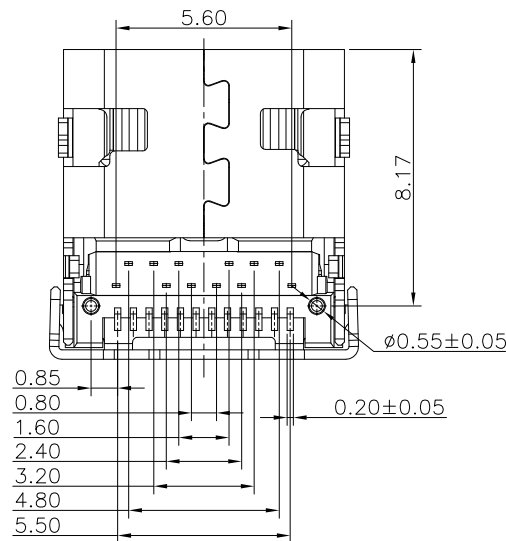


SCALE 1.5:1

RECOMMENDED P.C.B. LAYOUT

NOTES:

1. MATERIAL:
 - (1) HOUSING: HIGH TEMP plastic, UL94 V-0.
 - (2) CONTACT: COPPER ALLOY.
 - (3) MID PLATE: STAINLESS STEEL.
 - (4) SHELL: STAINLESS STEEL.
2. PLATED:
 - (1) CONTACT: GOLD ON CONTACT AREA OVER NICKEL PLEATED OVERALL.
 - (2) SHELL: NICKEL PLATED OVERALL.
 - (3) MID PLATE: CLEAR ONLY



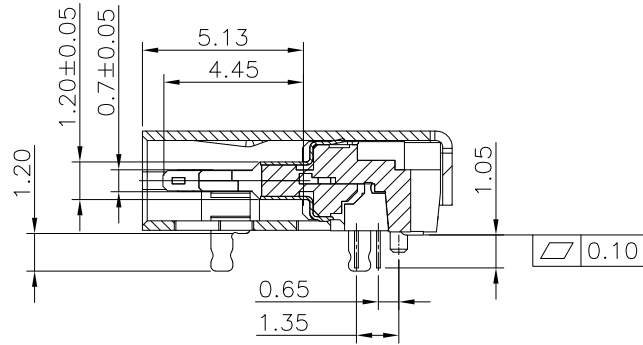
DIM	TOL
X.X	±0.30
X.XX	±0.20
X.XXX	±0.10

SUNFUN		SUNFUN TECHNOLOGY LTD			
DRAW NO:	MCCF-R2D2(A1)	DATE	04/09'20	MATERIAL:	SEE NOTES
DESIGN:	Hank	DATE	04/09'20	FINISH:	SEE NOTES
CHECK:	Hank	DATE	04/09'20	FILE:	MCCF-R2D2(A1)
REVIEW:	Rui	DATE	04/09'20	P/N:	MCCF-R2D2(XXT)
APPROVED	Rui	DATE	04/09'20	REV. A1	SCALE
				DRAW NAME:	
				USB C Type CONN - FEMALE	
				RIGHT ANGLE-DUAL ROW 24 PIN	
				DIP(1.20L) + SMD PIN/ Body 9.87L	
				MODEL: USB C TYPE CONN	
				UNIT:	SHEET:
				mm	1/2

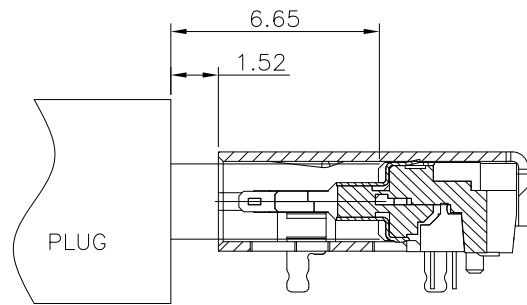
REV.	ECN NO.	LOCATIONS	DESCRIPTION	DATE	DESIGN
A1			REVISED SOME DETAILS	04/09'20	Hank

CUSTOMER DRAWING

RoHS Compliant



SECTION A-A



MATING

USB TYPE-C PIN ASSIGNMENTS

PIN NO.	SIGNAL NAME
A1	GND
A2	SSTXp1
A3	SSTXn1
A4	VBus
A5	CC1
A6	Dp1
A7	Dn1
A8	SBU1
A9	VBus
A10	SSRXn2
A11	SSRXp2
A12	GND

PIN NO.	SIGNAL NAME
B12	GND
B11	SSRXp1
B10	SSRXn1
B9	VBus
B8	SBU2
B7	Dn2
B6	Dp2
B5	CC2
B4	VBus
B3	SSTXn2
B2	SSTXp2
B1	GND

DIM	TOL
X.X	±0.30
X.XX	±0.20
X.XXX	±0.10

SUNFUN		SUNFUN TECHNOLOGY LTD			
DRAW NO:	MCCF-R2D2(A1)	DATE	04/09'20	MATERIAL:	SEE NOTES
DESIGN:	Hank	DATE	04/09'20	FINISH:	SEE NOTES
CHECK:	Hank	DATE	04/09'20	FILE:	MCCF-R2D2(A1)
REVIEW:	Rui	DATE	04/09'20	P/N:	MCCF-R2D2(XXT)
APPROVED	Rui	DATE	04/09'20	REV. A1	SCALE
DRAW NAME:			USB C Type CONN - FEMALE		
RIGHT ANGLE-DUAL ROW 24 PIN			DIP(1.20L) + SMD PIN/ Body 9.87L		
MODEL:			USB C TYPE CONN		
UNIT:	mm	SHEET:	2/2		