

REV.	ECN NO.	LOCATIONS	DESCRIPTION	DATE	DESIGN
A0			NEW RELEASE	12/19'18	Hank

**ORDERING INFORMATION**

**MCCF - R2K2 (XX T)**

① **PRODUCT SERIES:**

USB C TYPE connector -  
Receptacle (Female) side.

② **ITEM NO.:**

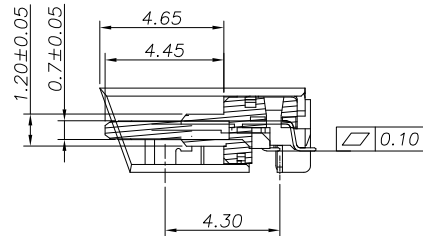
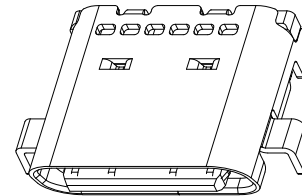
Right Angle- Dual Row 24 pin  
Sink 0.8/ Slanting entrance

**CUSTOMER DRAWING**  
**RoHS Compliant**

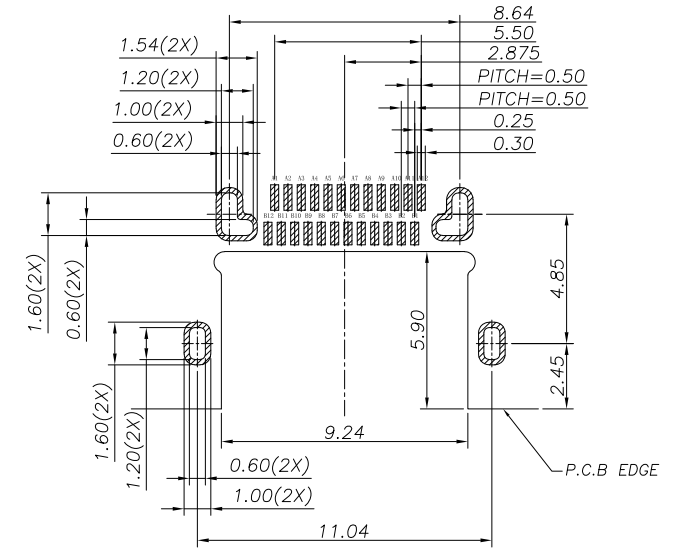
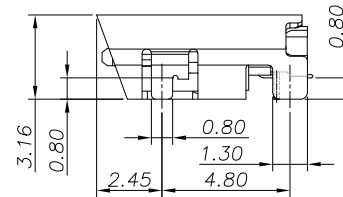
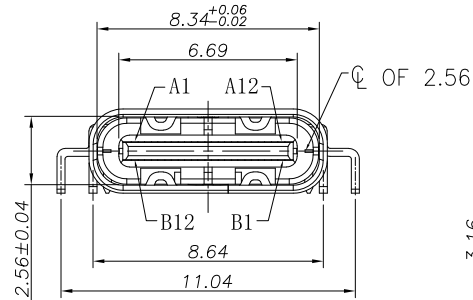
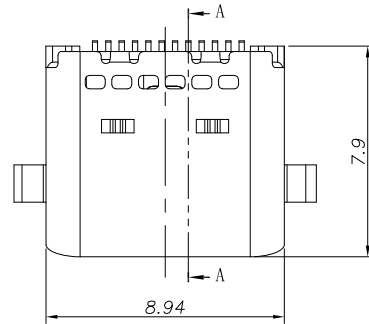
③ **GOLD PLATING :**

03: 3u".  
15: 15u".  
30: 30u".

3D VIEW



SECTION:A-A

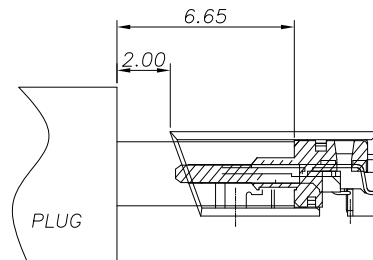
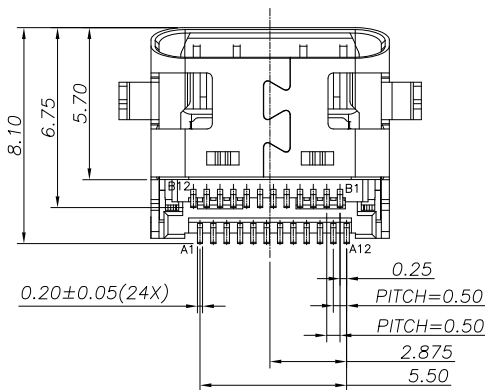


RECOMMENDED P.C.B. LAYOUT

USB TYPE-C PIN ASSIGNMENTS

PIN NO.	SIGNAL NAME
A1	GND
A2	SSTXp1
A3	SSTXn1
A4	VBUS
A5	CC1
A6	Dp1
A7	Dn1
A8	SBU1
A9	VBUS
A10	SSRXn2
A11	SSRXp2
A12	GND

PIN NO.	SIGNAL NAME
B12	GND
B11	SSRXp1
B10	SSRXn1
B9	VBUS
B8	SBU2
B7	Dn2
B6	Dp2
B5	CC2
B4	VBUS
B3	SSTXn2
B2	SSTXp2
B1	GND



AFTER MATING

NOTES:

1. MATERIAL:

- (1) HOUSING: HIGH TEMP plastic, UL94 V-0.
- (2) CONTACT: COPPER ALLOY.
- (3) MID PLATE: STAINLESS STEEL.
- (4) SHELL: STAINLESS STEEL.

2. PLATED:

- (1) CONTACT: GOLD ON CONTACT AREA OVER NICKEL PLEATED OVERALL.
- (2) SHELL: NICKEL PLEATED OVERALL.
- (3) MID PLATE: CLEAR ONLY

**SUNFUN**

**SUNFUN TECHNOLOGY LTD**

DRAW NO.	MCCF-R2K2(A0)	DATE	12/19'18	MATERIAL: SEE NOTES	DRAW NAME:
DESIGN:	Hank	12/19'18	FINISH: SEE NOTES	FILE: MCCF-R2K2(A0)	USB C Type CONN - FEMALE
CHECK:	Hank	12/19'18	P/N: MCCF-R2K2(XXT)	REV. A0	Right Angle- Dual Row 24 pin
REVIEW:	Rui	12/19'18	SCALE	UNIT: mm	Sink 0.8/ Slanting entrance
APPROVED	Rui	12/19'18		MODEL: USB C TYPE CONN	SHEET: 1/1

DIM	TOL
X.X	±0.30
X.XX	±0.20
X.XXX	±0.10