

REV.	ECN NO.	LOCATIONS	DESCRIPTION	DATE	DESIGN
A1			REVISED SOME DETAILS	04/07'20	Hank

ORDERING INFORMATION

MCCF - R2N1 (XX T)

① ② ③

① **PRODUCT SERIES:**

USB C TYPE connector -
Receptacle (Female) side.

② **ITEM NO.:**

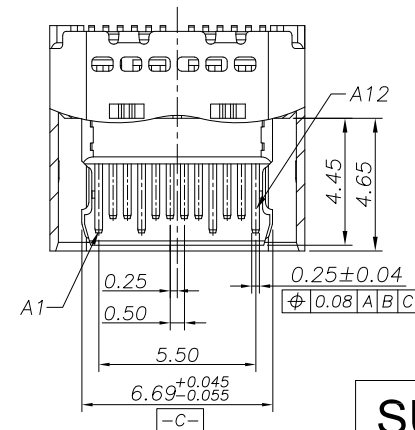
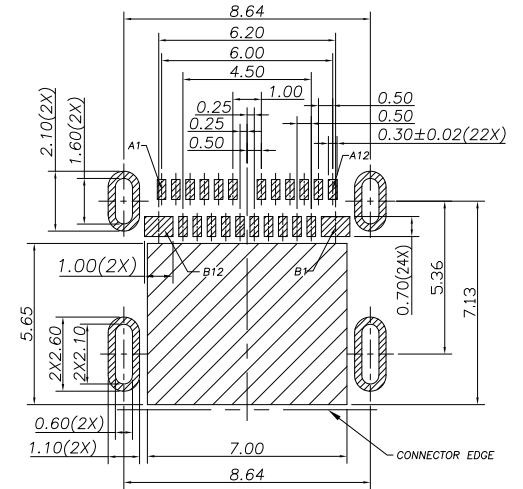
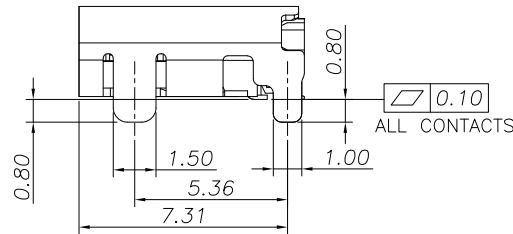
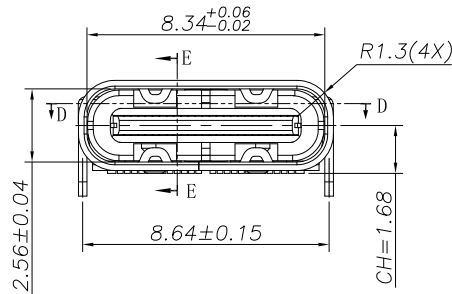
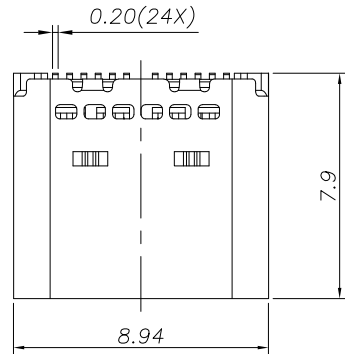
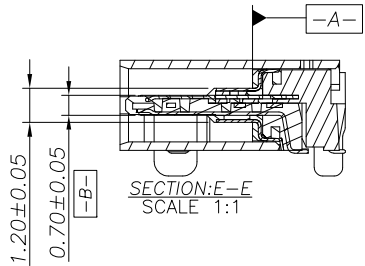
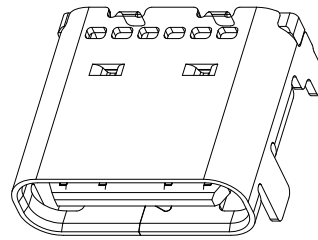
Right Angle-Dual Row 24 pin
Standard on board type.

CUSTOMER DRAWING
RoHS Compliant

③ **GOLD PLATING :**

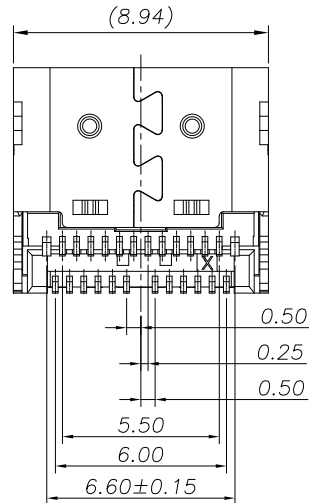
03: 3u".
15: 15u".
30: 30u".

3D VIEW



PIN NO.	SIGNAL NAME
A1	GND
A2	SSTXp1
A3	SSTXn1
A4	Vbus
A5	CC1
A6	Dp1
A7	Dn1
A8	SBU1
A9	Vbus
A10	SSRXn2
A11	SSRXp2
A12	GND

PIN NO.	SIGNAL NAME
B12	GND
B11	SSRXp1
B10	SSRXn1
B9	Vbus
B8	SBU2
B7	Dn2
B6	Dp2
B5	CC2
B4	Vbus
B3	SSTXn2
B2	SSTXp2
B1	GND



SECTION: D-D
SCALE 1:1

DIM	TOL
X.X	±0.30
X.XX	±0.20
X.XXX	±0.10

NOTES:

1. MATERIAL:

- (1) HOUSING: HIGH TEMP plastic, UL94 V-0.
- (2) CONTACT: COPPER ALLOY.
- (3) MID PLATE: STAINLESS STEEL.
- (4) SHELL: STAINLESS STEEL.

2. PLATED:

- (1) CONTACT: GOLD ON CONTACT AREA OVER NICKEL PLEATED OVERALL.
- (2) SHELL: NICKEL PLATED OVERALL.
- (3) MID PLATE: CLEAR ONLY

SUNFUN		SUNFUN TECHNOLOGY LTD			
DRAW NO.	MCCF-R2N1(A1)	DATE	04/07'20	MATERIAL:	SEE NOTES
DESIGN:	Hank	DATE	04/07'20	FINISH:	SEE NOTES
CHECK:	Hank	DATE	04/07'20	FILE:	MCCF-R2N1(A1)
REVIEW:	Rui	DATE	04/07'20	P/N:	MCCF-R2N1(XXT)
APPROVED	Rui	DATE	04/07'20	REV.	A1
		SCALE			
DRAW NAME:		USB C Type CONN - FEMALE RIGHT ANGLE-DUAL ROW 24 PIN Standard on board type.			
MODEL:		USB C TYPE CONN			
UNIT:	mm	SHEET:	1/1		