

REV.	ECN NO.	LOCATIONS	DESCRIPTION	DATE	DESIGN
A1			REVISED SOME DETAILS	04/24'20	Hank

CUSTOMER DRAWING

RoHS Compliant

**ORDERING INFORMATION**

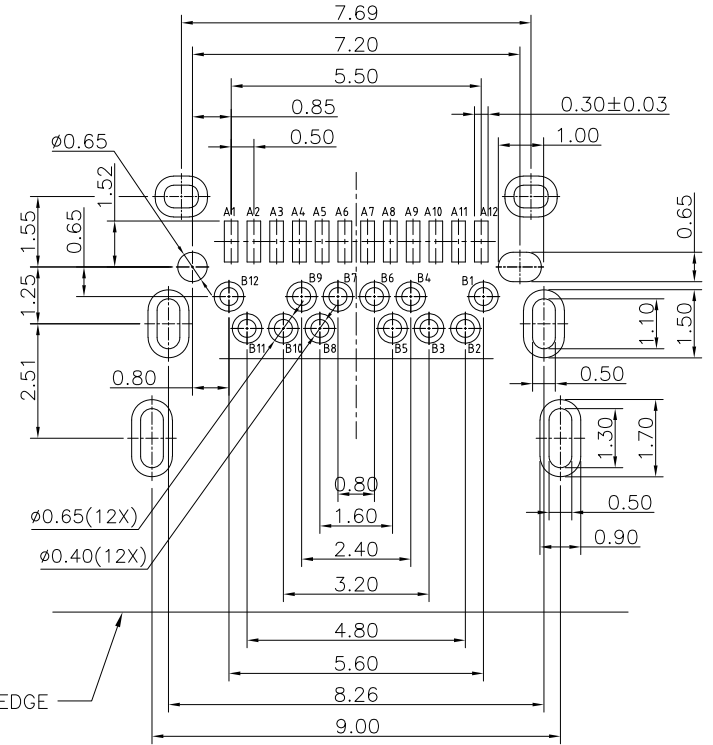
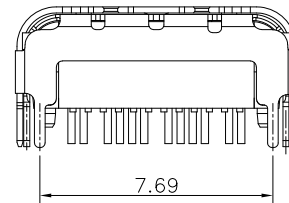
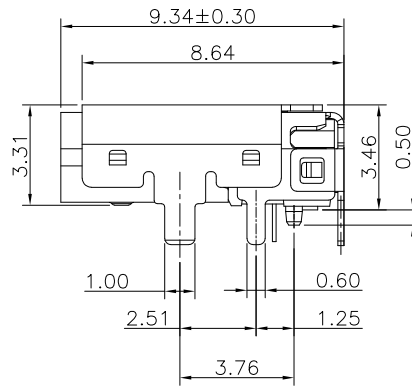
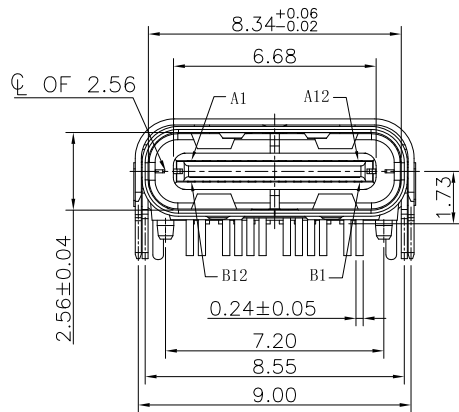
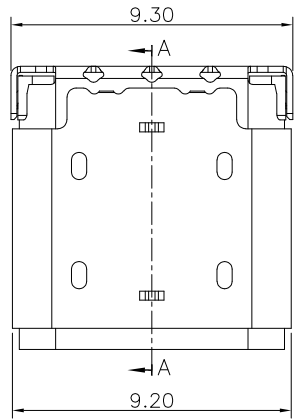
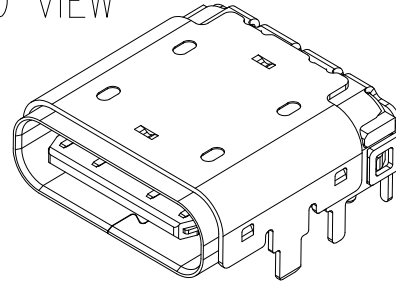
**MCCF - R2U1 (XX T)**

1 **PRODUCT SERIES:**  
USB C TYPE connector -  
Receptacle (Female) side.

2 **ITEM NO.:**  
Right Angle-Dual Row 24 pin  
DIP(1.3L)+SMD PIN/ Body 9.34L

3 **GOLD PLATING :**  
03: 3u",  
15: 15u",  
30: 30u".

3D VIEW

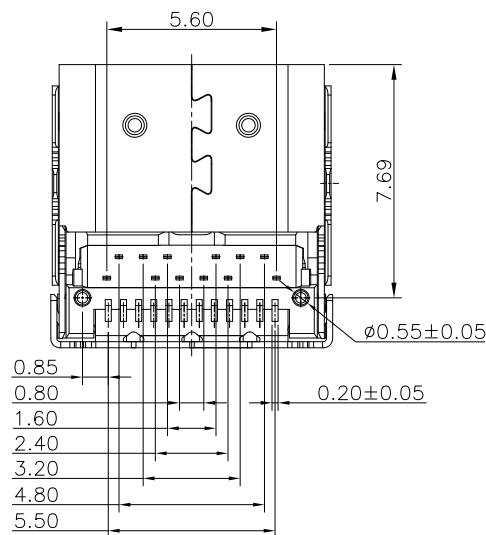


SCALE 1.5:1

RECOMMENDED P.C.B. LAYOUT

**NOTES:**

- MATERIAL:**
  - HOUSING: HIGH TEMP plastic, UL94 V-0.
  - CONTACT: COPPER ALLOY.
  - MID PLATE: STAINLESS STEEL.
  - SHELL: STAINLESS STEEL.
- PLATED:**
  - CONTACT: GOLD ON CONTACT AREA OVER NICKEL PLEATED OVERALL.
  - SHELL: NICKEL PLATED OVERALL.
  - MID PLATE: CLEAR ONLY



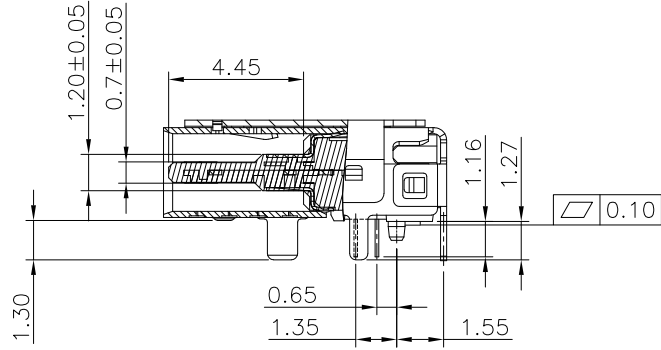
DIM	TOL
X.X	±0.30
X.XX	±0.20
X.XXX	±0.10

<b>SUNFUN</b>		<b>SUNFUN TECHNOLOGY LTD</b>			
DRAW NO.	MCCF-R2U1(A1)	DATE	MATERIAL: SEE NOTES	DRAW NAME:	
DESIGN:	Hank	04/24'20	FINISH: SEE NOTES	USB C Type CONN - FEMALE	
CHECK:	Hank	04/24'20	FILE: MCCF-R2U1(A1)	RIGHT ANGLE-DUAL ROW 24 PIN	
REVIEW:	Rui	04/24'20	P/N: MCCF-R2U1(XXT)	DIP(1.3L) + SMD PIN/ Body 9.34L	
APPROVED	Rui	04/24'20	REV. A1	SCALE	MODEL: USB C TYPE CONN
				UNIT: mm	SHEET: 1/2

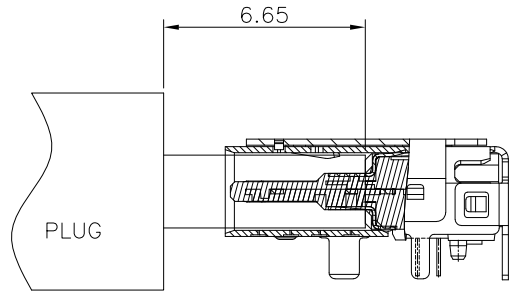
REV.	ECN NO.	LOCATIONS	DESCRIPTION	DATE	DESIGN
A1			REVISED SOME DETAILS	04/24'20	Hank

**CUSTOMER DRAWING**

RoHS Compliant



SECTION A-A



MATING

*USB TYPE-C PIN ASSIGNMENTS*

PIN NUMBER	SIGNAL NAME	PIN NUMBER	SIGNAL NAME
A1	GND	B12	GND
A2	SSTXp1	B11	SSRXp1
A3	SSTXn1	B10	SSRXn1
A4	Vbus	B9	Vbus
A5	CC1	B8	SBU2
A6	Dp1	B7	Dn2
A7	Dn1	B6	Dp2
A8	SBU1	B5	CC2
A9	Vbus	B4	Vbus
A10	SSRXn2	B3	SSTXn2
A11	SSRXp2	B2	SSTXp2
A12	GND	B1	GND

DIM	TOL
X.X	±0.30
X.XX	±0.20
X.XXX	±0.10

<b>SUNFUN</b>		<b>SUNFUN TECHNOLOGY LTD</b>			
DRAW NO.	MCCF-R2U1(A1)	DATE	MATERIAL: SEE NOTES	DRAW NAME:	
DESIGN:	Hank	04/24'20	FINISH: SEE NOTES	USB C Type CONN - FEMALE	
CHECK:	Hank	04/24'20	FILE: MCCF-R2U1(A1)	RIGHT ANGLE-DUAL ROW 24 PIN	
REVIEW:	Rui	04/24'20	P/N: MCCF-R2U1(XXT)	DIP(1.3L) + SMD PIN/ Body 9.34L	
APPROVED	Rui	04/24'20	REV. A1	SCALE	MODEL: USB C TYPE CONN
					UNIT: mm
					SHEET: 2/2