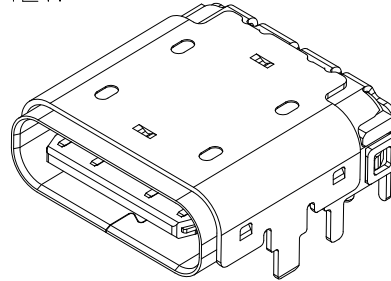


REV.	ECN NO.	LOCATIONS	DESCRIPTION	DATE	DESIGN
A0			REVISED SOME DETAILS	04/27'20	Hank

3D VIEW



ORDERING INFORMATION

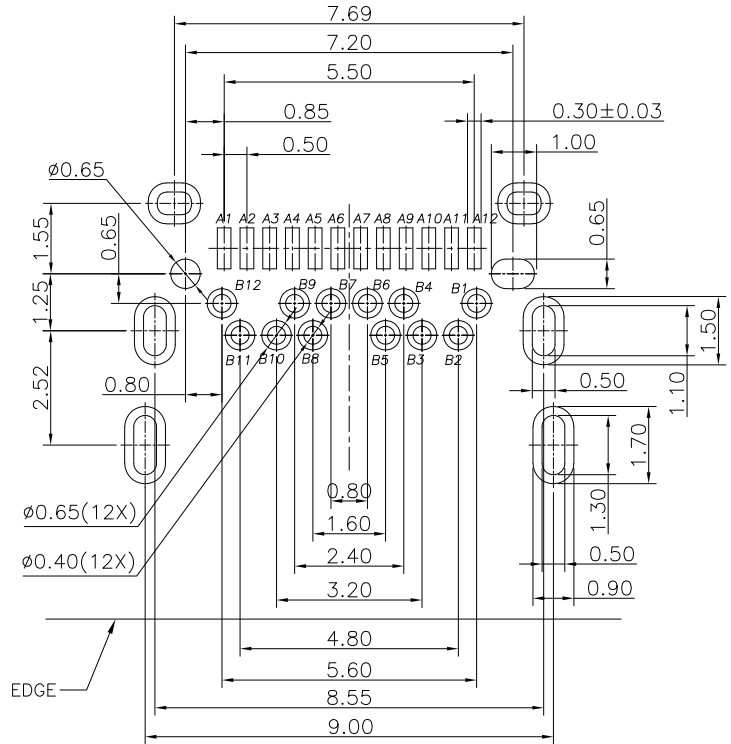
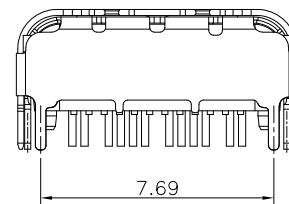
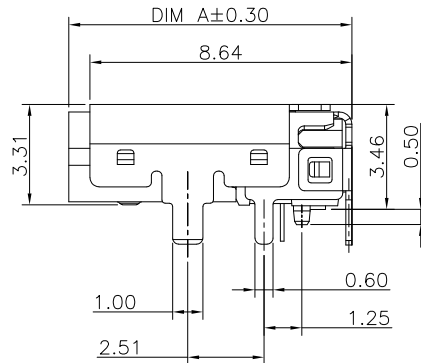
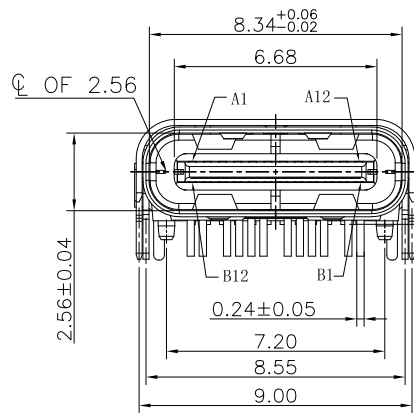
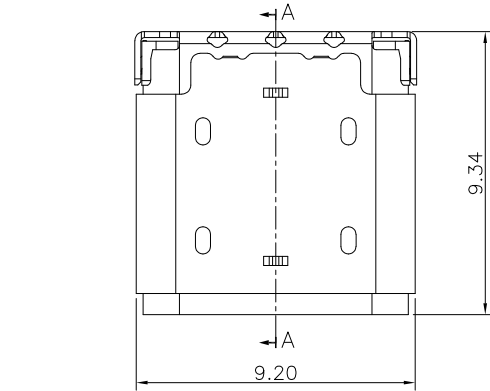
MCCF - R2U2 (XX T)

- ① **PRODUCT SERIES:**
USB C TYPE connector -
Receptacle (Female) side.
- ② **ITEM NO.:**
Right Angle-Dual Row 24 pin
DIP(1.3L)+SMD PIN/ Body 9.34L

CUSTOMER DRAWING

RoHS Compliant

- ③ **GOLD PLATING :**
03: 3u".
15: 15u".
30: 30u".

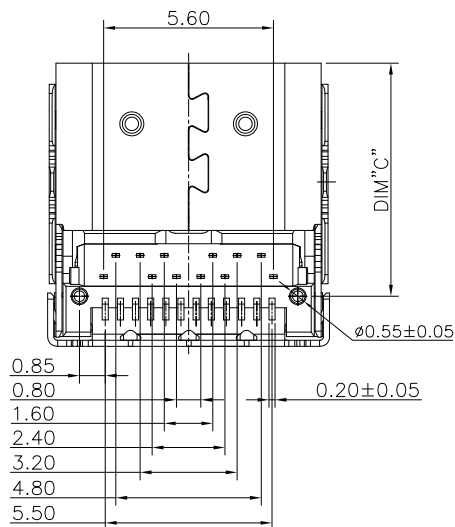


NOTES:

1. MATERIAL:
 - (1) HOUSING: HIGH TEMP plastic, UL94 V-0.
 - (2) CONTACT: COPPER ALLOY.
 - (3) MID PLATE: STAINLESS STEEL.
 - (4) SHELL: STAINLESS STEEL.
2. PLATED:
 - (1) CONTACT: GOLD ON CONTACT AREA
OVER NICKEL PLEATED OVERALL.
 - (2) SHELL: NICKEL PLATED OVERALL.
 - (3) MID PLATE: CLEAR ONLY

SCALE 1.5:1

RECOMMENDED P.C.B. LAYOUT
THICKNESS 1.00±0.05MM



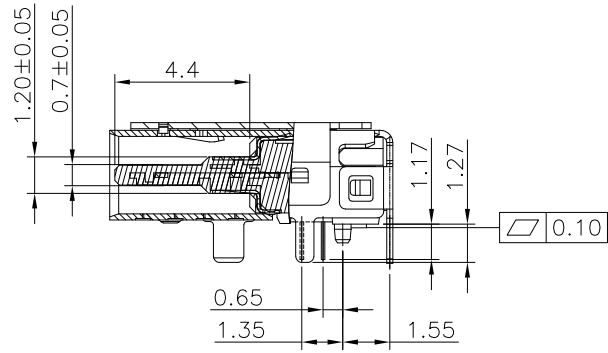
DIM	TOL
X.X	±0.30
X.XX	±0.20
X.XXX	±0.10

SUNFUN		SUNFUN TECHNOLOGY LTD			
DRAW NO.	MCCF-R2U2(A0)	DATE	MATERIAL: SEE NOTES	DRAW NAME:	
DESIGN:	Hank	04/27'20	FINISH: SEE NOTES	USB C Type CONN - FEMALE	
CHECK:	Hank	04/27'20	FILE: MCCF-R2U2(A0)	RIGHT ANGLE-DUAL ROW 24 PIN	
REVIEW:	Rui	04/27'20	P/N: MCCF-R2U2(XXT)	DIP(1.3L) + SMD PIN/ Body 9.34L	
APPROVED	Rui	04/27'20	REV. A0	SCALE	MODEL: USB C TYPE CONN
				UNIT: mm	SHEET: 1/2

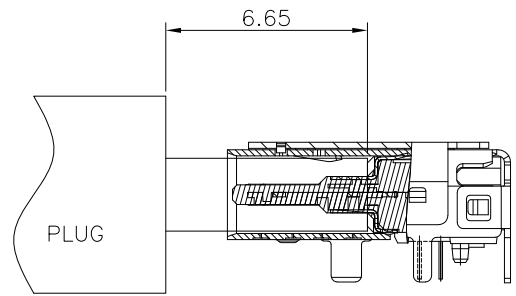
REV.	ECN NO.	LOCATIONS	DESCRIPTION	DATE	DESIGN
A0			REVISED SOME DETAILS	04/27'20	Hank

CUSTOMER DRAWING

RoHS Compliant



SECTION A-A



MATING

USB TYPE-C PIN ASSIGNMENTS

PIN NUMBER	SIGNAL NAME	PIN NUMBER	SIGNAL NAME
A1	GND	B12	GND
A2	SSTXp1	B11	SSRXp1
A3	SSTXn1	B10	SSRXn1
A4	Vbus	B9	Vbus
A5	CC1	B8	SBU2
A6	Dp1	B7	Dn2
A7	Dn1	B6	Dp2
A8	SBU1	B5	CC2
A9	Vbus	B4	Vbus
A10	SSRXn2	B3	SSTXn2
A11	SSRXp2	B2	SSTXp2
A12	GND	B1	GND

DIM	TOL
X.X	±0.30
X.XX	±0.20
X.XXX	±0.10

SUNFUN		SUNFUN TECHNOLOGY LTD			
DRAW NO.	MCCF-R2U2(A0)	DATE	MATERIAL: SEE NOTES	DRAW NAME:	
DESIGN:	Hank	04/27'20	FINISH: SEE NOTES	USB C Type CONN - FEMALE	
CHECK:	Hank	04/27'20	FILE: MCCF-R2U2(A0)	RIGHT ANGLE-DUAL ROW 24 PIN	
REVIEW:	Rui	04/27'20	P/N: MCCF-R2U2(XXT)	DIP(1.3L) + SMD PIN/ Body 9.34L	
APPROVED	Rui	04/27'20	REV. A0	SCALE	MODEL: USB C TYPE CONN
			UNIT: mm	SHEET: 2/2	