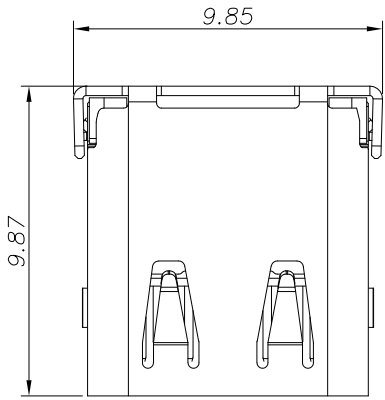
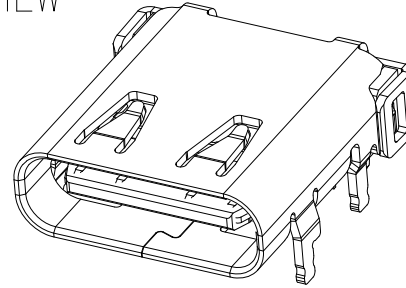


REV.	ECN NO.	LOCATIONS	DESCRIPTION	DATE	DESIGN
A1			REVISED SOME DETAILS	04/09'20	Hank



3D VIEW



ORDERING INFORMATION

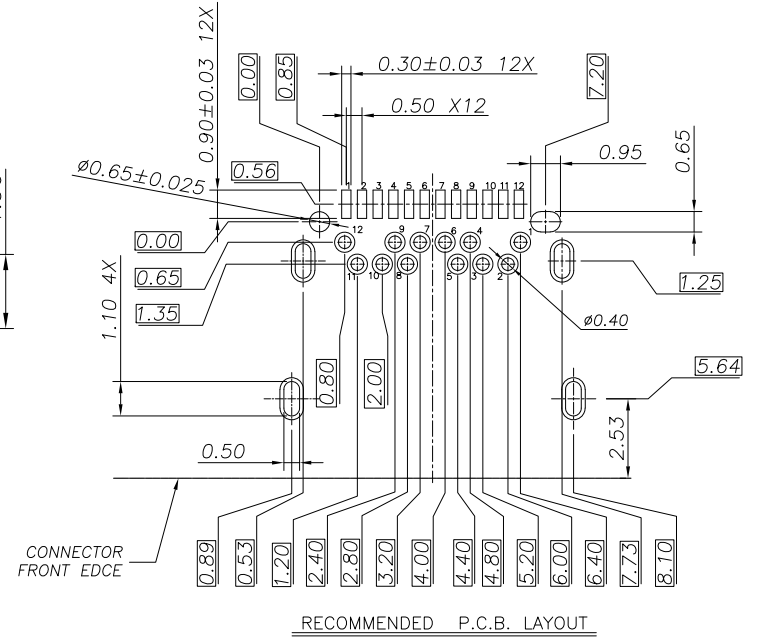
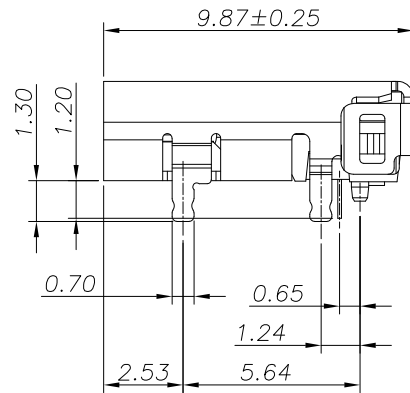
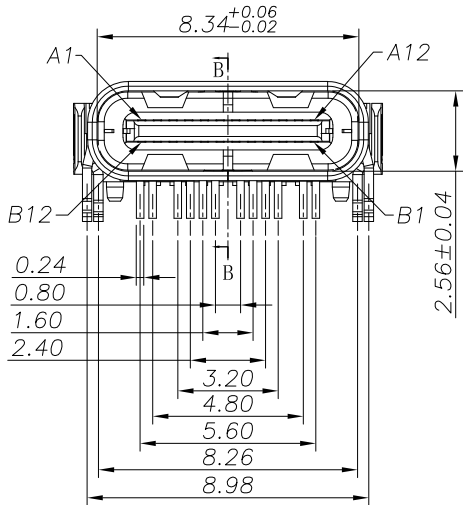
MCCF - R2W2 (XX T)

- ① **PRODUCT SERIES:**
USB C TYPE connector - Receptacle (Female) side.
- ② **ITEM NO.:**
Right Angle-Dual Row 24 pin
DIP(1.3L)+SMD PIN/ With POST

CUSTOMER DRAWING

RoHS Compliant

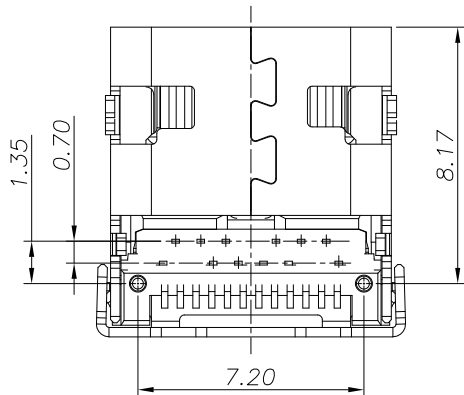
- ③ **GOLD PLATING :**
03: 3u"
15: 15u"
30: 30u"



RECOMMENDED P.C.B. LAYOUT

NOTES:

1. MATERIAL:
 - (1) HOUSING: HIGH TEMP plastic, UL94 V-0.
 - (2) CONTACT: COPPER ALLOY.
 - (3) MID PLATE: STAINLESS STEEL.
 - (4) SHELL: STAINLESS STEEL.
2. PLATED:
 - (1) CONTACT: GOLD ON CONTACT AREA OVER NICKEL PLEATED OVERALL.
 - (2) SHELL: NICKEL PLATED OVERALL.
 - (3) MID PLATE: CLEAR ONLY



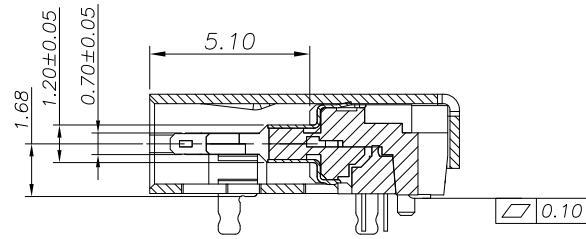
DIM	TOL
X.X	±0.30
X.XX	±0.20
X.XXX	±0.10

SUNFUN		SUNFUN TECHNOLOGY LTD			
DRAW NO.	MCCF-R2W2(A1)	DATE	04/09'20	MATERIAL:	SEE NOTES
DESIGN:	Hank	04/09'20	FINISH:	SEE NOTES	DRAW NAME:
CHECK:	Hank	04/09'20	FILE:	MCCF-R2W2(A1)	USB C Type CONN - FEMALE RIGHT ANGLE-DUAL ROW 24 PIN DIP(1.3L) + SMD PIN/ With POST
REVIEW:	Rui	04/09'20	P/N:	MCCF-R2W2(XXT)	MODEL: USB C TYPE CONN
APPROVED	Rui	04/09'20	REV. A1	SCALE	UNIT: mm
					SHEET: 1/2

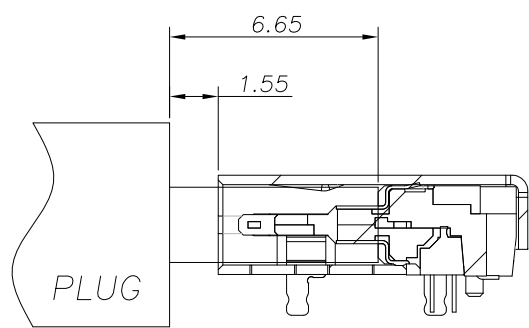
REV.	ECN NO.	LOCATIONS	DESCRIPTION	DATE	DESIGN
A1			REVISED SOME DETAILS	04/09'20	Hank

CUSTOMER DRAWING

RoHS Compliant



SECTION B-B



MATING

USB TYPE-C PIN ASSIGNMENTS

PIN NUMBER	SIGNAL NAME	PIN NUMBER	SIGNAL NAME
A1	GND	B12	GND
A2	TX1+	B11	TX1+
A3	TX1-	B10	TX1-
A4	Vbus	B9	Vbus
A5	CC1	B8	SBU2
A6	Dp1	B7	Dn2
A7	Dn1	B6	Dp2
A8	SBU1	B5	CC2
A9	Vbus	B4	VBUS
A10	RX2-	B3	TX2-
A11	RX2+	B2	TX2+
A12	GND	B1	GND

DIM	TOL
X.X	±0.30
X.XX	±0.20
X.XXX	±0.10

SUNFUN		SUNFUN TECHNOLOGY LTD			
DRAW NO.	MCCF-R2W2(A1)	DATE	04/09'20	MATERIAL:	SEE NOTES
DESIGN:	Hank	04/09'20	FINISH:	SEE NOTES	DRAW NAME:
CHECK:	Hank	04/09'20	FILE:	MCCF-R2W2(A1)	USB C Type CONN - FEMALE
REVIEW:	Rui	04/09'20	P/N:	MCCF-R2W2(XXT)	RIGHT ANGLE-DUAL ROW 24 PIN
APPROVED	Rui	04/09'20	REV. A1	SCALE	DIP(1.3L) + SMD PIN/ With POST
				MODEL:	USB C TYPE CONN
				UNIT:	mm
				SHEET:	2/2

