

REV.	ECN NO.	LOCATIONS	DESCRIPTION	DATE	DESIGN
A0			NEW RELEASE	04/23'20	Johnson

**ORDERING INFORMATION**

**MCCF - TS02 (XX T)**

① ② ③

**① PRODUCT SERIES:**

USB C TYPE connector -  
Receptacle (Female) side.

**② ITEM NO.:**

Right Angle- Single Row SMD 16pin  
2Dip with Post / Srew Wing type

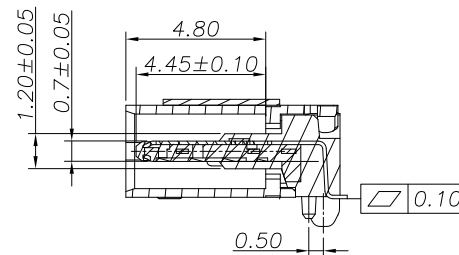
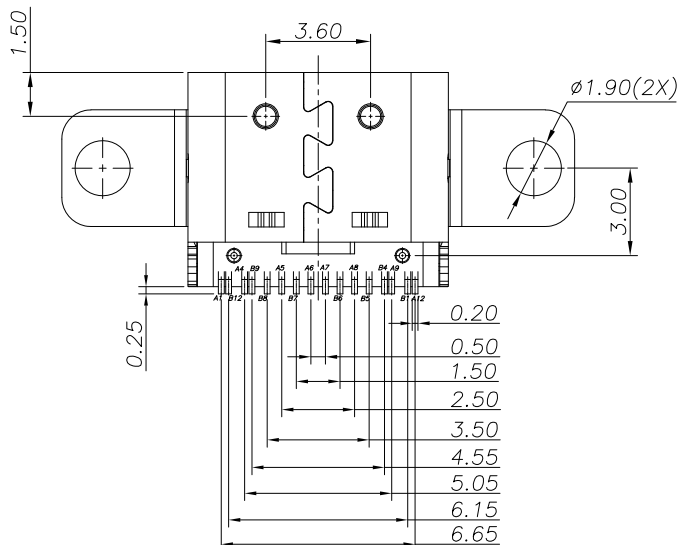
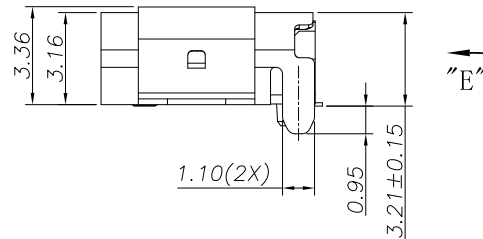
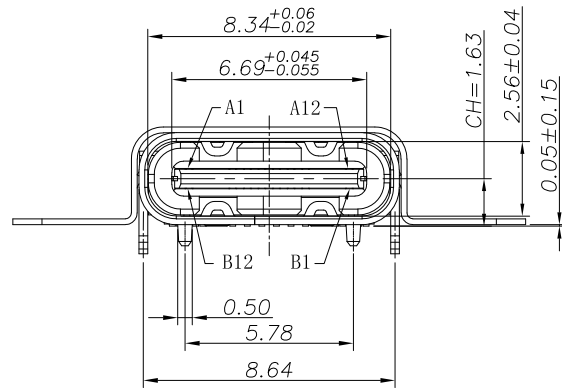
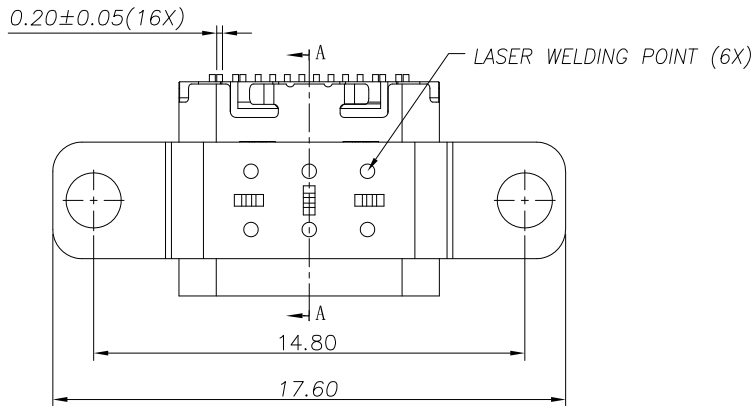
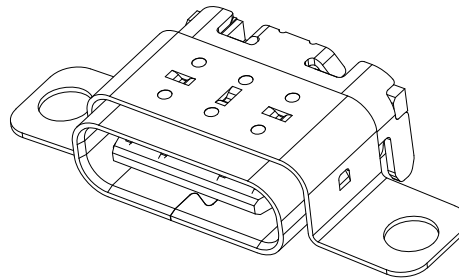
**CUSTOMER DRAWING**

**RoHS Compliant**

**③ GOLD PLATING :**

03: 3u".  
15: 15u".  
30: 30u".

3D VIEW



SECTION:A-A

**NOTE:**

- MATERIAL SPECIFICATION:
  - HOUSING:LCP,UL94 V-0.
  - TERMINAL: COPPER ALLOY
  - MID PLATE: STAINLESS STEEL
  - FRONT SHELL: STAINLESS STEEL
- PLATING SPECIFICATION:
  - TERMINAL:
    - Ni 50u" MIN. UNDER PLATED OVER ALL.
    - Au PLATED ON THE FUNCTIONAL AREA OF CONTACT.
    - (GOLD PLATING THICKNESS FOLLOW THE P/N)
    - PLATING SPECIFICATIONS OF THE SOLDER AREA FOLLOW THE P/N
  - FRONT SHELL:
    - PLATING SPECIFICATIONS FOLLOW THE P/N
  - MID PLATE PLATE:
    - CLEAR ONLY
- MECHANICAL PERFORMANCE,
  - INSERTION FORCE: 0.5~2.0kgf.
  - REMOVAL FORCE: 0.8kgf~2.0kgf.
  - DURABILITY: 10000 CYCLES.
- ELECTRICAL PERFORMANCE,
  - VOLTAGE RATING:5 V DC/AC (RMS. max)  
CURRENT RATING:5 AMPS. FOR TOTAL VBUS/GND PINS;  
1.25AMPS FOR CC PIN,0.25 AMPS. FOR ALL OTHER CONTACT.
  - LLCR:
    - VBUS & GND PINS AND OTHER PINS: 40mΩ/PIN MAX.
    - SHIELD: 50mΩ/MAX.
    - LLCR MAX. CHANGE OF ALL PINS: 10mΩ.
  - INSULATION RESISTANCE: 100MΩ MIN
  - DIELECTRIC WITHSTAND VOLTAGE,AC 100V FOR 1 MINUTE.
- ENVIRONMENTAL PERFORMANCE:
  - OPERATING TEMPERATURE: -25°C~+85°C.
  - IR REFLOW:
    - THE PEAK TEMPERATURE ON THE BOARD SHALL BE MAINTAINED FOR 10 SECONDS AT 260°C.

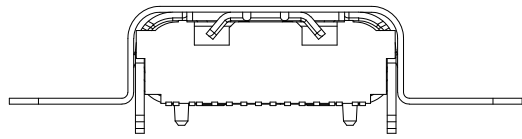
DIM	TOL
X.X	±0.30
X.XX	±0.20
X.XXX	±0.10

<b>SUNFUN</b>		<b>SUNFUN TECHNOLOGY LTD</b>			
DRAW NO.	MCCF-TS02(A0)	DATE	MATERIAL: SEE NOTES	DRAW NAME:	
DESIGN:	Johnson	04/23'20	FINISH: SEE NOTES	USB C Type CONN - FEMALE	
CHECK:	Johnson	04/23'20	FILE: MCCF-TS02(A0)	Right Angle- Single Row SMD 16pin	
REVIEW:	Frank	04/23'20	P/N: MCCF-TS02(XXT)	2Dip with Post / Srew Wing type	
APPROVED	Frank	04/23'20	REV. A0	SCALE	MODEL: USB C TYPE CONN
				UNIT: mm	SHEET: 1/2

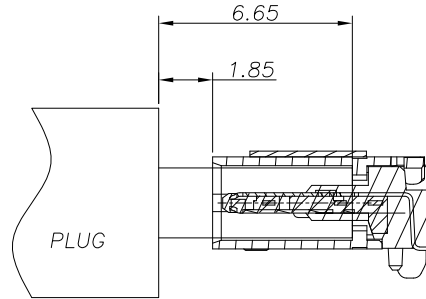
REV.	ECN NO.	LOCATIONS	DESCRIPTION	DATE	DESIGN
A0			NEW RELEASE	04/23'20	Johnson

**CUSTOMER DRAWING**

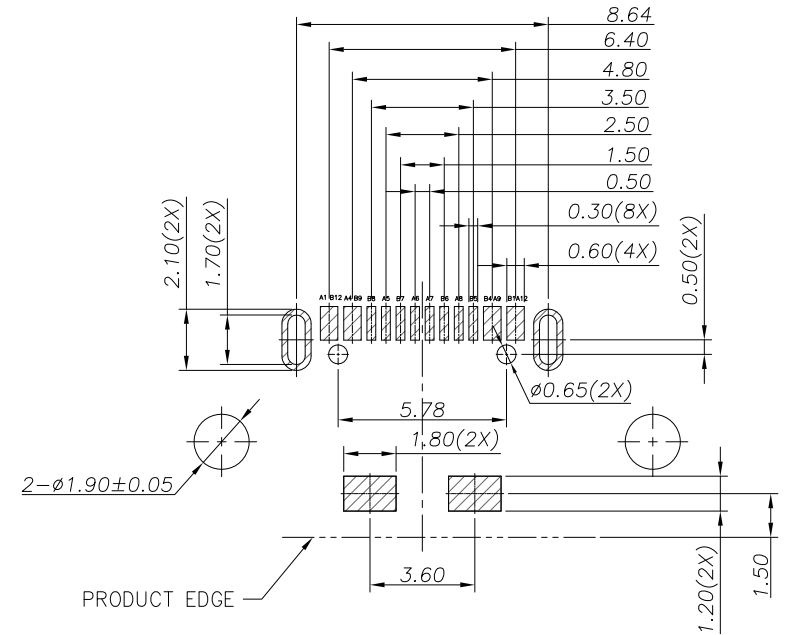
**RoHS Compliant**



VIEW "E"



AFTER MATING



RECOMMENDED PCB LAYOUT(TOP VIEW)

USB TYPE-C PIN ASSIGNMENTS

PIN NUMBER	SIGNAL NAME	PIN NUMBER	SIGNAL NAME
A1	GND	B12	GND
A4	VBUS	B9	VBUS
A5	CC1	B8	SBU2
A6	Dp1	B7	Dn2
A7	Dn1	B6	Dp2
A8	SBU1	B5	CC2
A9	VBUS	B4	VBUS
A12	GND	B1	GND

DIM	TOL
x.x	±0.30
x.xx	±0.20
x.xxx	±0.10

<b>SUNFUN</b>		<b>SUNFUN TECHNOLOGY LTD</b>			
DRAW NO.	MCCF-TS02(A0)	DATE	MATERIAL: SEE NOTES	DRAW NAME:	
DESIGN:	Johnson	04/23'20	FINISH: SEE NOTES	USB C Type CONN - FEMALE	
CHECK:	Johnson	04/23'20	FILE: MCCF-TS01(A0)	Right Angle- Single Row SMD 16pin	
REVIEW:	Frank	04/23'20	P/N: MCCF-TS01(XXT)	2Dip with Post / Srew Wing type	
APPROVED	Frank	04/23'20	REV. A0	SCALE	MODEL: USB C TYPE CONN
				UNIT: mm	SHEET: 2/2

