

| | | | | | |
|------|---------|-----------|-------------|----------|--------|
| REV. | ECN NO. | LOCATIONS | DESCRIPTION | DATE | DESIGN |
| A0 | | | NEW RELEASE | 07/09'19 | Hank |

CUSTOMER DRAWING

RoHS Compliant

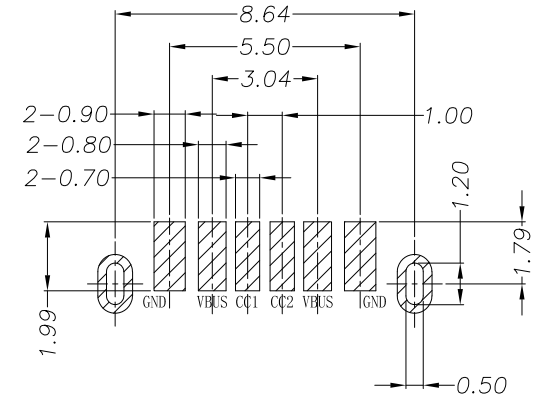
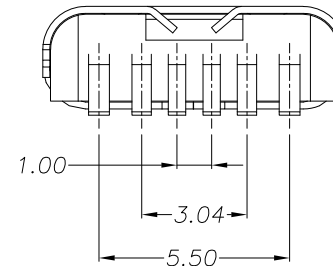
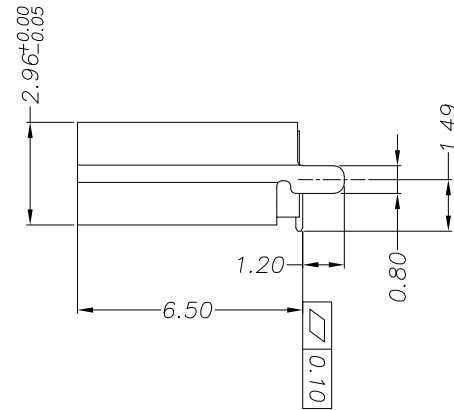
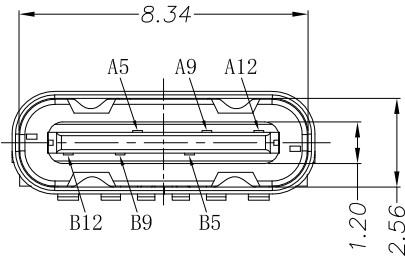
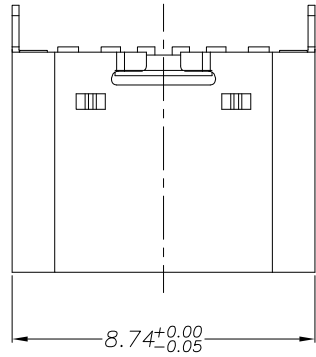
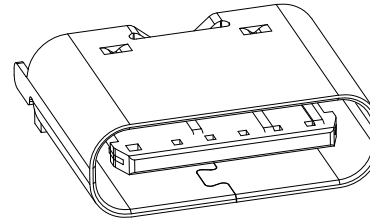
ORDERING INFORMATION

MCCF - V0N1 (XX T)

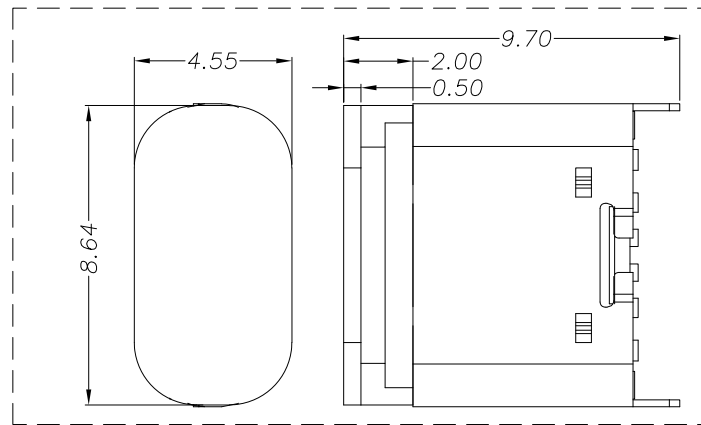
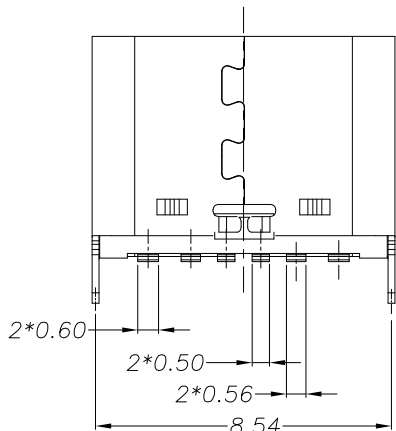
- ① PRODUCT SERIES:
USB C TYPE connector -
Receptacle (Female) side.
- ② ITEM NO.:
Vertical- Single Row 6 pin
2 Dip + SMD pin

- ③ GOLD PLATING :
01: 1u".

3D VIEW



RECOMMENDED P.C.B. LAYOUT



With Cover

NOTES:

1. MATERIAL:
 - (1) HOUSING: HIGH TEMP plastic, UL94 V-0.
 - (2) CONTACT: COPPER ALLOY.
 - (3) MID PLATE: STAINLESS STEEL.
 - (4) SHELL: STAINLESS STEEL.
2. PLATED:
 - (1) CONTACT: GOLD ON CONTACT AREA OVER NICKEL PLEATED OVERALL.
 - (2) SHELL: NICKEL PLATED OVERALL.
 - (3) MID PLATE: CLEAR ONLY.

USB TYPE-C PIN ASSIGNMENTS

| PIN NO. | A5 | A9 | A12 | B12 | B9 | B5 |
|-------------|-----|------|-----|-----|------|-----|
| SIGNAL NAME | CC1 | VBUS | GND | GND | VBUS | CC2 |

| DIM | TOL |
|-------|-------|
| X.X | ±0.30 |
| X.XX | ±0.20 |
| X.XXX | ±0.10 |

| | | | | | |
|---------------|----------|------------------------------|----------------------------|----------|------------|
| SUNFUN | | SUNFUN TECHNOLOGY LTD | | | |
| | | | | | |
| DESIGN: Hank | 07/09'19 | FINISH: SEE NOTES | Vertical- Single Row 6 pin | | |
| CHECK: Hank | 07/09'19 | FILE: MCCF-V0N1(A0) | 2Dip + SMD pin | | |
| REVIEW: Rui | 07/09'19 | P/N: MCCF-V0N1(XXT) | MODEL: USB C TYPE CONN | | |
| APPROVED: Rui | 07/09'19 | REV. A0 | SCALE | UNIT: mm | SHEET: 1/1 |