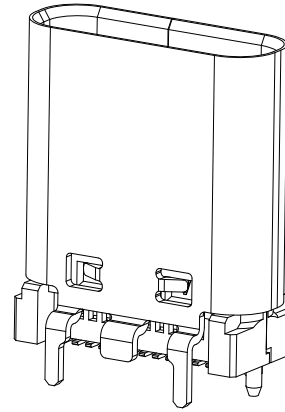


REV.	ECN NO.	LOCATIONS	DESCRIPTION	DATE	DESIGN
A2			UPDATE SOME DETAILS	12/28'20	Hank

### 3D VIEW



#### ORDERING INFORMATION

**MCCF - V2N1 (XX T)**

① ② ③

#### ① PRODUCT SERIES:

USB C TYPE connector -  
Receptacle (Female) side.

#### ② ITEM NO.:

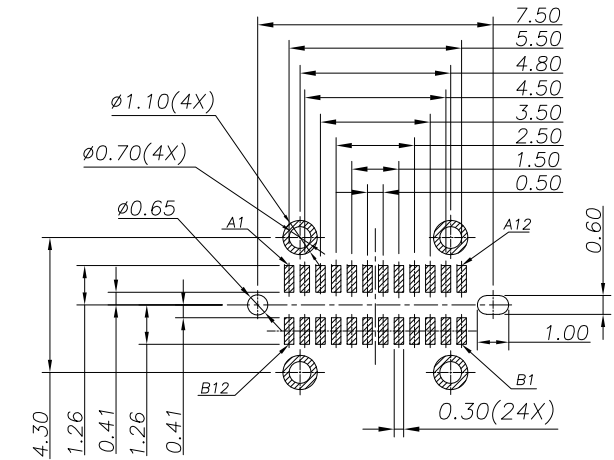
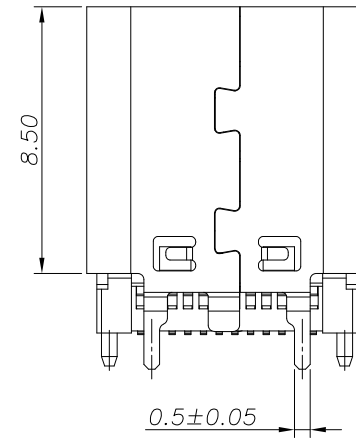
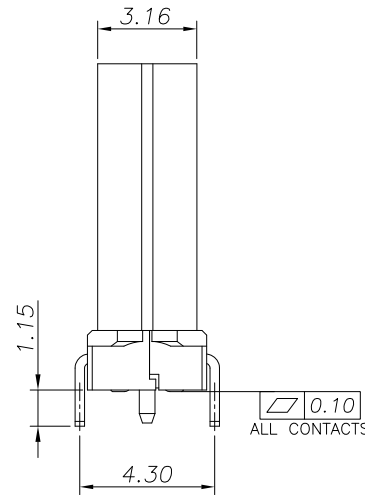
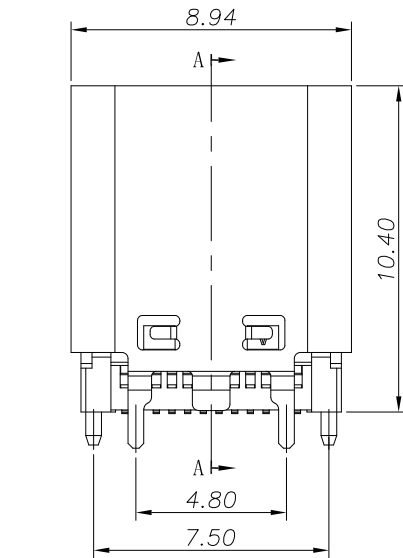
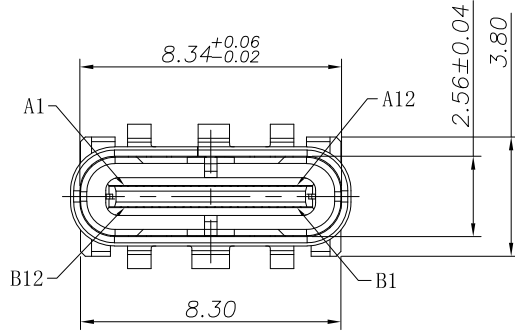
Vertical- Dual Row 24pin  
4 Dip/ With post/ Body 10.35L

CUSTOMER DRAWING

RoHS Compliant

#### ③ GOLD PLATING :

03: 3u"  
15: 15u"  
30: 30u"



RECOMMENDED P.C.B. LAYOUT  
THICKNESS 1.00 ± 0.05MM

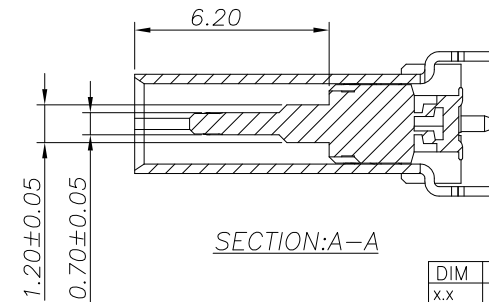
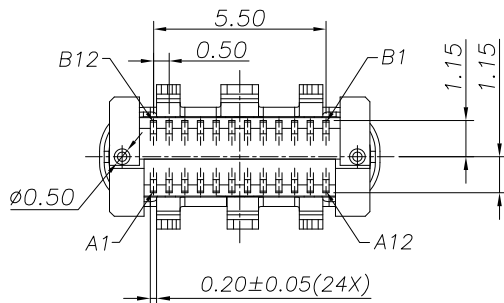
#### NOTES:

##### 1. MATERIAL:

- (1) HOUSING: HIGH TEMP plastic, UL94 V-0.
- (2) CONTACT: COPPER ALLOY.
- (3) MID PLATE: STAINLESS STEEL.
- (4) SHELL: STAINLESS STEEL.

##### 2. PLATED:

- (1) CONTACT: GOLD ON CONTACT AREA OVER NICKEL PLEATED OVERALL.
- (2) SHELL: NICKEL PLATED OVERALL.
- (3) MID PLATE: CLEAR ONLY



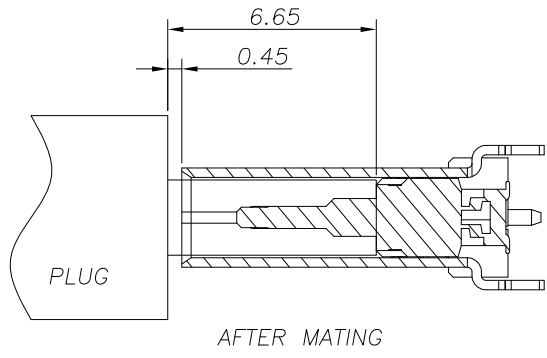
DIM	TOL
X.X	±0.30
X.XX	±0.20
X.XXX	±0.10

<b>SUNFUN</b>		<b>SUNFUN TECHNOLOGY LTD</b>			
DRAW NO.	MCCF-V2N1(A2)	DATE	MATERIAL: SEE NOTES	DRAW NAME:	
DESIGN:	Hank	12/28'20	FINISH: SEE NOTES	USB C Type CONN - FEMALE	
CHECK:	Hank	12/28'20	FILE: MCCF-V2N1(A2)	Vertical- Dual Row 24pin	
REVIEW:	Rui	12/28'20	P/N: MCCF-V2N1(XXT)	4 Dip/ With post/ Body 10.35L	
APPROVED	Rui	12/28'20	REV. A2	SCALE	MODEL: USB C TYPE CONN
				UNIT: mm	SHEET: 1/2

REV.	ECN NO.	LOCATIONS	DESCRIPTION	DATE	DESIGN
A2			UPDATE SOME DETAILS	12/28'20	Hank

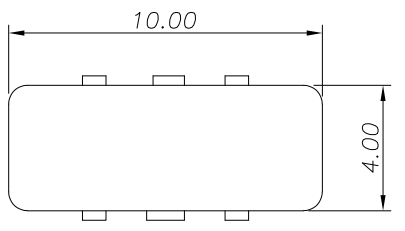
CUSTOMER DRAWING

RoHS Compliant

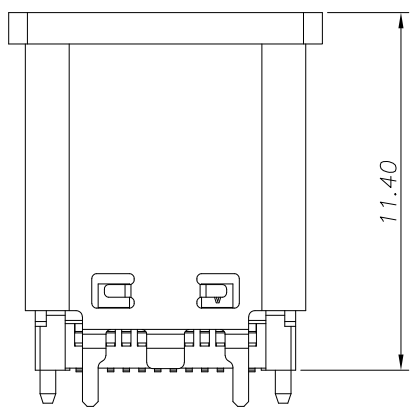
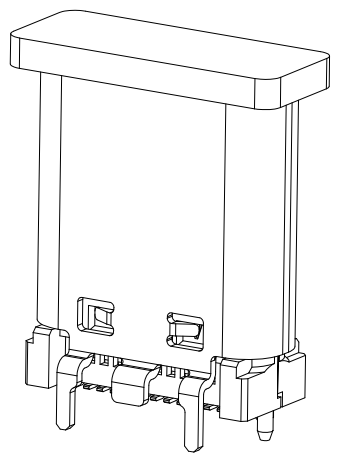


USB TYPE-C PIN ASSIGNMENTS

PIN NO	SIGNAL NAME	PIN NO	SIGNAL NAME
A1	GND	B12	GND
A2	SSTXp1	B11	SSRXp1
A3	SSTXn1	B10	SSRXn1
A4	Vbus	B9	Vbus
A5	CC1	B8	SBU2
A6	Dp1	B7	Dn2
A7	Dn1	B6	Dp2
A8	SBU1	B5	CC2
A9	Vbus	B4	Vbus
A10	SSRXn2	B3	SSTXn2
A11	SSRXp2	B2	SSTXp2
A12	GND	B1	GND



WITH COVER



DIM	TOL
X.X	±0.30
X.XX	±0.20
X.XXX	±0.10

<b>SUNFUN</b>		<b>SUNFUN TECHNOLOGY LTD</b>			
DRAW NO.	MCCF-V2N1(A2)	DATE	12/28'20	MATERIAL:	SEE NOTES
DESIGN:	Hank	12/28'20	FINISH:	SEE NOTES	
CHECK:	Hank	12/28'20	FILE:	MCCF-V2N1(A2)	
REVIEW:	Rui	12/28'20	P/N:	MCCF-V2N1(XXT)	
APPROVED	Rui	12/28'20	REV. A2	SCALE	
			DRAW NAME:		USB C Type CONN - FEMALE
					Vertical - Dual Row 24pin
					4 Dip/ With post/ Body 10.35L
			MODEL:		USB C TYPE CONN
		UNIT:	mm	SHEET:	2/2