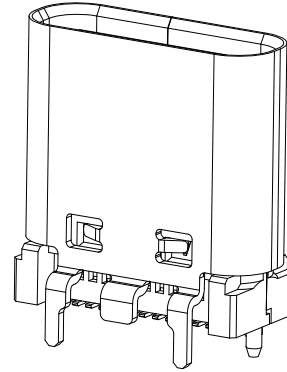


REV.	ECN NO.	LOCATIONS	DESCRIPTION	DATE	DESIGN
A2			UPDATE SOME DETAILS	09/29'20	Hank

3D VIEW



ORDERING INFORMATION

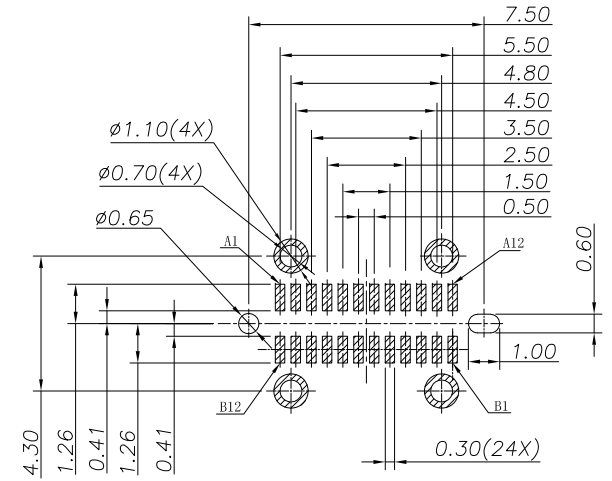
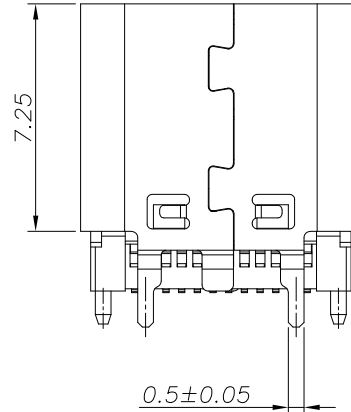
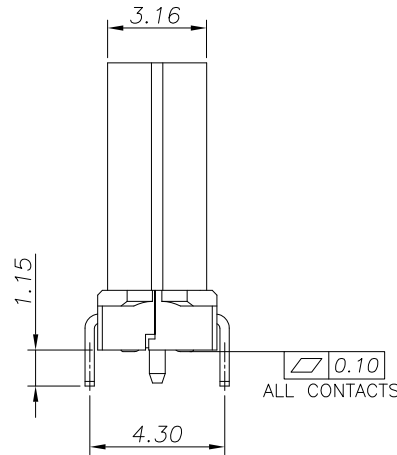
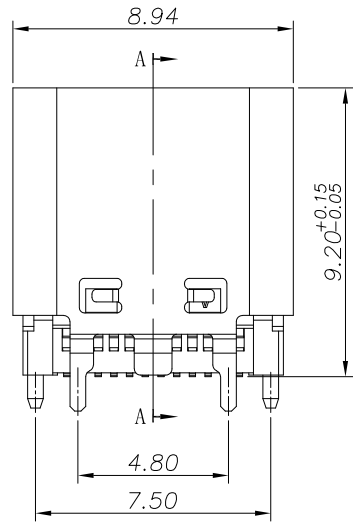
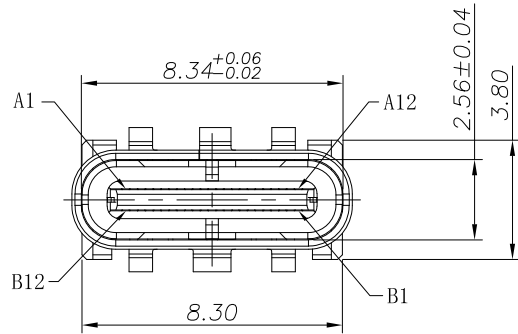
MCCF - V2N2 (XX T)

- ① **PRODUCT SERIES:**
USB C TYPE connector -
Receptacle (Female) side.
- ② **ITEM NO.:**
Vertical- Dual Row 24pin
4 Dip/ With post/ Body 9.25L

CUSTOMER DRAWING

RoHS Compliant

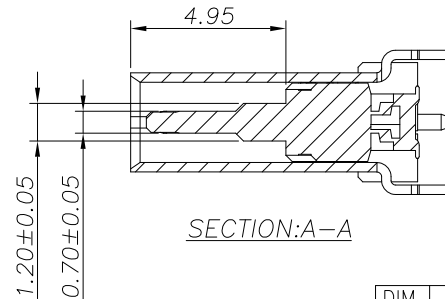
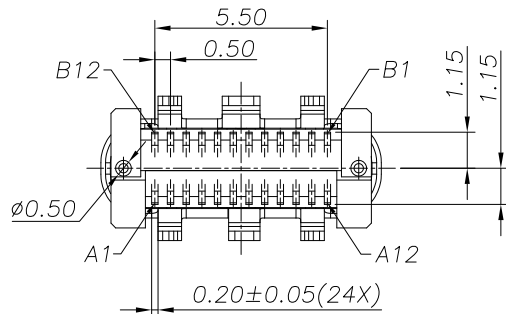
- ③ **GOLD PLATING :**
03: 3u"
15: 15u"
30: 30u"



RECOMMENDED P.C.B. LAYOUT THICKNESS 1.00 ± 0.05MM

NOTES:

- MATERIAL:**
 - HOUSING: HIGH TEMP plastic, UL94 V-0.
 - CONTACT: COPPER ALLOY.
 - MID PLATE: STAINLESS STEEL.
 - SHELL: STAINLESS STEEL.
- PLATED:**
 - CONTACT: GOLD ON CONTACT AREA OVER NICKEL PLEATED OVERALL.
 - SHELL: NICKEL PLEATED OVERALL.
 - MID PLATE: CLEAR ONLY



SECTION:A-A

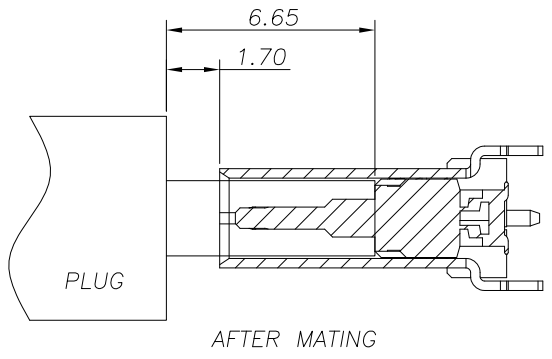
DIM	TOL
X.X	±0.30
X.XX	±0.20
X.XXX	±0.10

SUNFUN		SUNFUN TECHNOLOGY LTD			
DRAW NO.	MCCF-V2N2(A2)	DATE	MATERIAL: SEE NOTES	DRAW NAME:	
DESIGN:	Hank	09/29'20	FINISH: SEE NOTES	USB C Type CONN - FEMALE	
CHECK:	Hank	09/29'20	FILE: MCCF-V2N2(A2)	Vertical- Dual Row 24pin	
REVIEW:	Rui	09/29'20	P/N: MCCF-V2N2(XXT)	4 Dip/ With post/ Body 9.25L	
APPROVED	Rui	09/29'20	REV. A2	SCALE	MODEL: USB C TYPE CONN
				UNIT: mm	SHEET: 1/2

REV.	ECN NO.	LOCATIONS	DESCRIPTION	DATE	DESIGN
A2			UPDATE SOME DETAILS	09/29'20	Hank

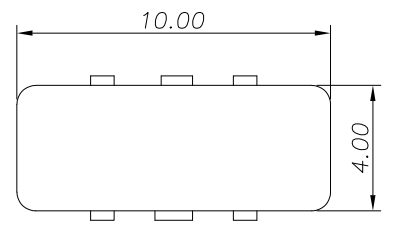
CUSTOMER DRAWING

RoHS Compliant

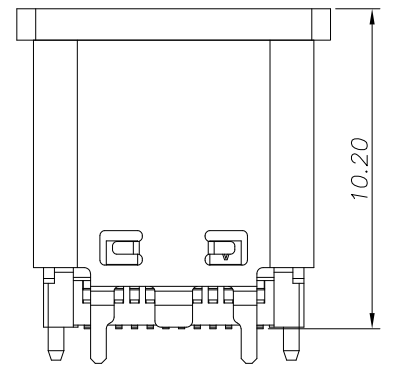
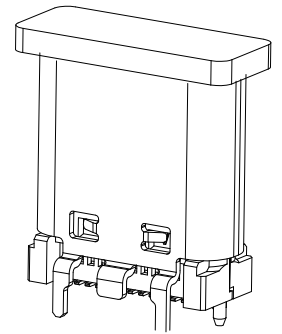


USB TYPE-C PIN ASSIGNMENTS

PIN NO	SIGNAL NAME	PIN NO	SIGNAL NAME
A1	GND	B12	GND
A2	SSTXp1	B11	SSRXp1
A3	SSTXn1	B10	SSRXn1
A4	Vbus	B9	Vbus
A5	CC1	B8	SBU2
A6	Dp1	B7	Dn2
A7	Dn1	B6	Dp2
A8	SBU1	B5	CC2
A9	Vbus	B4	Vbus
A10	SSRXn2	B3	SSTXn2
A11	SSRXp2	B2	SSTXp2
A12	GND	B1	GND



WITH COVER



DIM	TOL
X.X	±0.30
X.XX	±0.20
X.XXX	±0.10

SUNFUN		SUNFUN TECHNOLOGY LTD			
DRAW NO.	MCCF-V2N2(A2)	DATE	MATERIAL: SEE NOTES	DRAW NAME:	
DESIGN:	Hank	09/29'20	FINISH: SEE NOTES	USB C Type CONN - FEMALE	
CHECK:	Hank	09/29'20	FILE: MCCF-V2N2(A2)	Vertical- Dual Row 24pin	
REVIEW:	Rui	09/29'20	P/N: MCCF-V2N2(XXT)	4 Dip/ With post/ Body 9.25L	
APPROVED	Rui	09/29'20	REV. A2	SCALE	MODEL: USB C TYPE CONN
			UNIT: mm	SHEET: 2/2	