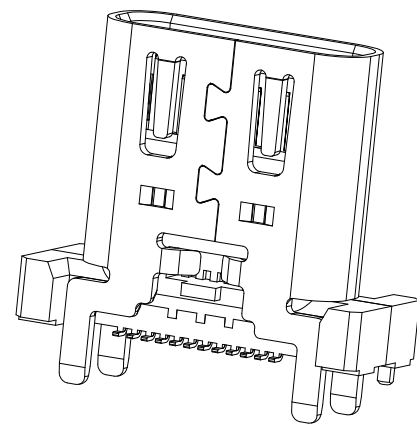


REV.	ECN NO.	LOCATIONS	DESCRIPTION	DATE	DESIGN
A1			REVISED SOME DETAILS	07/15'20	Hank

3D VIEW



ORDERING INFORMATION

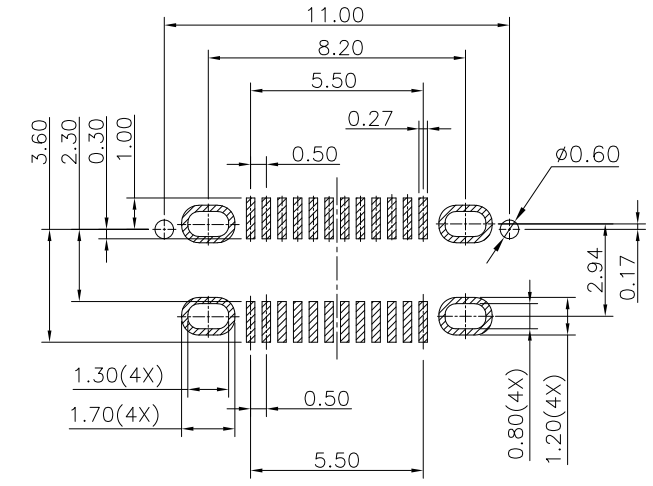
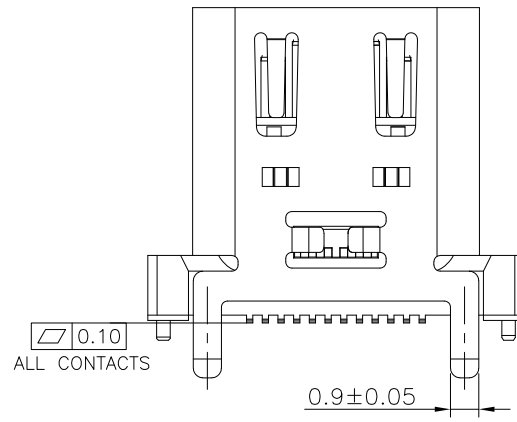
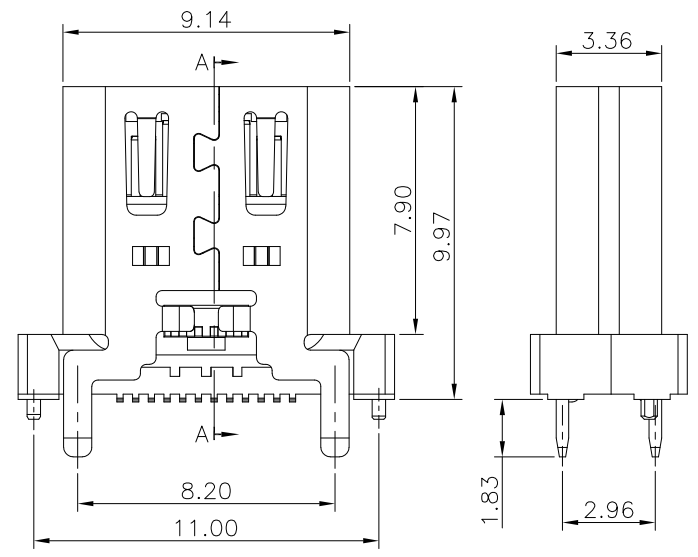
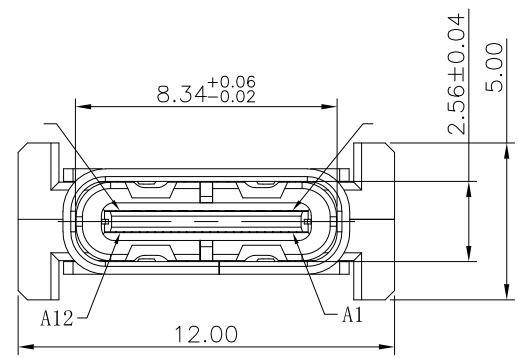
MCCF - V2N3 (XX T)

- ① **PRODUCT SERIES:**
USB C TYPE connector - Receptacle (Female) side.
- ② **ITEM NO.:**
Vertical- Dual Row 24pin
4 Dip/ With post/ Body 9.97L

CUSTOMER DRAWING

RoHS Compliant

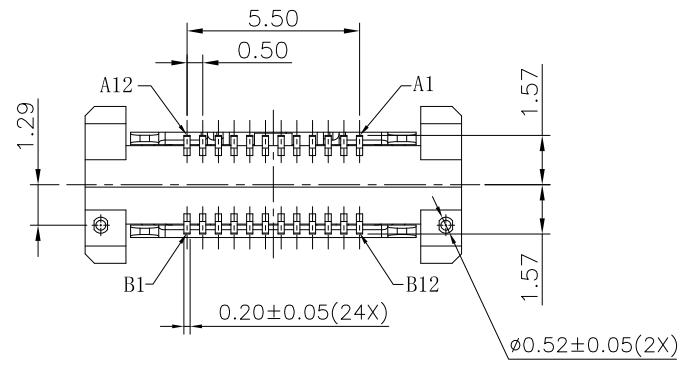
③ **GOLD PLATING :**
03: 3u"
15: 15u"
30: 30u"



RECOMMENDED P.C.B. LAYOUT

NOTES:

1. MATERIAL:
 - (1) HOUSING: HIGH TEMP plastic, UL94 V-0.
 - (2) CONTACT: COPPER ALLOY.
 - (3) MID PLATE: STAINLESS STEEL.
 - (4) SHELL: STAINLESS STEEL.
2. PLATED:
 - (1) CONTACT: GOLD ON CONTACT AREA OVER NICKEL PLEATED OVERALL.
 - (2) SHELL: NICKEL PLEATED OVERALL.
 - (3) MID PLATE: CLEAR ONLY



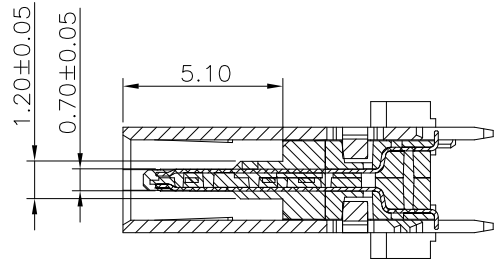
SUNFUN			SUNFUN TECHNOLOGY LTD		
DRAW NO.	MCCF-V2N3(A1)	DATE	MATERIAL:	SEE NOTES	DRAW NAME:
DESIGN:	Hank	07/15'20	FINISH:	SEE NOTES	USB C Type CONN - FEMALE
CHECK:	Hank	07/15'20	FILE:	MCCF-V2N3(A1)	Vertical- Dual Row 24pin
REVIEW:	Rui	07/15'20	P/N:	MCCF-V2N3(XXT)	4 Dip/ With post/ Body 9.97L
APPROVED	Rui	07/15'20	REV. A1	SCALE	MODEL: USB C TYPE CONN
			UNIT:	mm	SHEET: 1/2

DIM	TOL
X.X	±0.30
X.XX	±0.20
X.XXX	±0.10

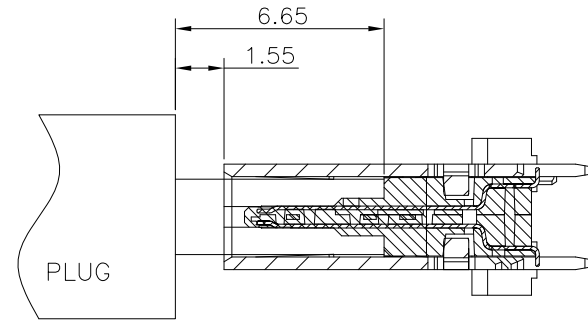
REV.	ECN NO.	LOCATIONS	DESCRIPTION	DATE	DESIGN
A1			REVISED SOME DETAILS	07/15'20	Hank

CUSTOMER DRAWING

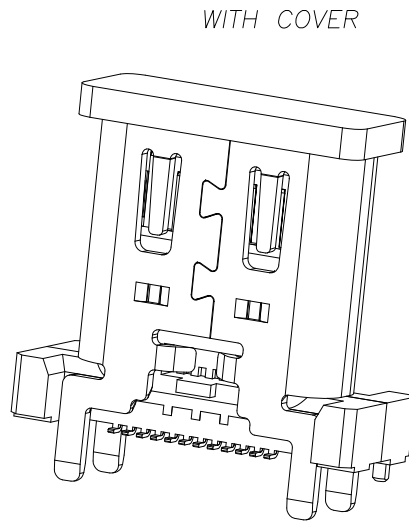
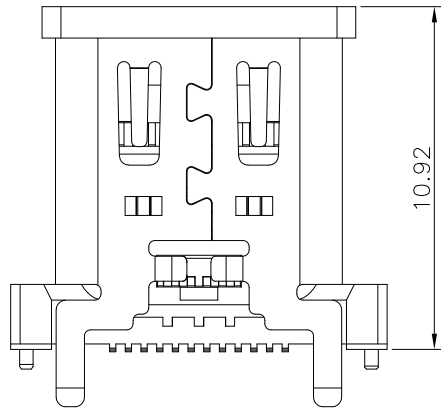
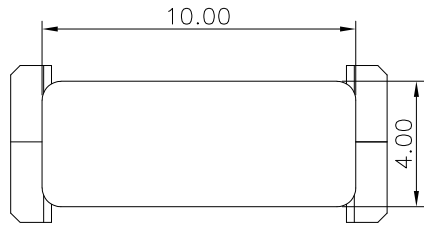
RoHS Compliant



SECTION:A-A



AFTER MATING



USB TYPE-C PIN ASSIGNMENTS

PIN NO	SIGNAL NAME	PIN NO	SIGNAL NAME
A1	GND	B12	GND
A2	SSTXp1	B11	SSRXp1
A3	SSTXn1	B10	SSRXn1
A4	VBus	B9	VBus
A5	CC1	B8	SBU2
A6	Dp1	B7	Dn2
A7	Dn1	B6	Dp2
A8	SBU1	B5	CC2
A9	VBus	B4	VBus
A10	SSRXn2	B3	SSTXn2
A11	SSRXp2	B2	SSTXp2
A12	GND	B1	GND

DIM	TOL
X.X	±0.30
X.XX	±0.20
X.XXX	±0.10

SUNFUN		SUNFUN TECHNOLOGY LTD			
DRAW NO.	MCCF-V2N3(A1)	DATE	07/15'20	MATERIAL:	SEE NOTES
DESIGN:	Hank	07/15'20	FINISH:	SEE NOTES	DRAW NAME:
CHECK:	Hank	07/15'20	FILE:	MCCF-V2N3(A1)	USB C Type CONN - FEMALE
REVIEW:	Rui	07/15'20	P/N:	MCCF-V2N3(XXT)	Vertical - Dual Row 24pin
APPROVED	Rui	07/15'20	REV. A1	SCALE	4 Dip/ With post/ Body 9.97L
					MODEL: USB C TYPE CONN
					UNIT: mm
					SHEET: 2/2

