

REV.	ECN NO.	LOCATIONS	DESCRIPTION	DATE	DESIGN
A0			NEW RELEASE	09/19'18	Hank

ORDERING INFORMATION

MCCF - VFR1 (XX T)

① PRODUCT SERIES:
USB C TYPE connector -
Receptacle (Female) side.

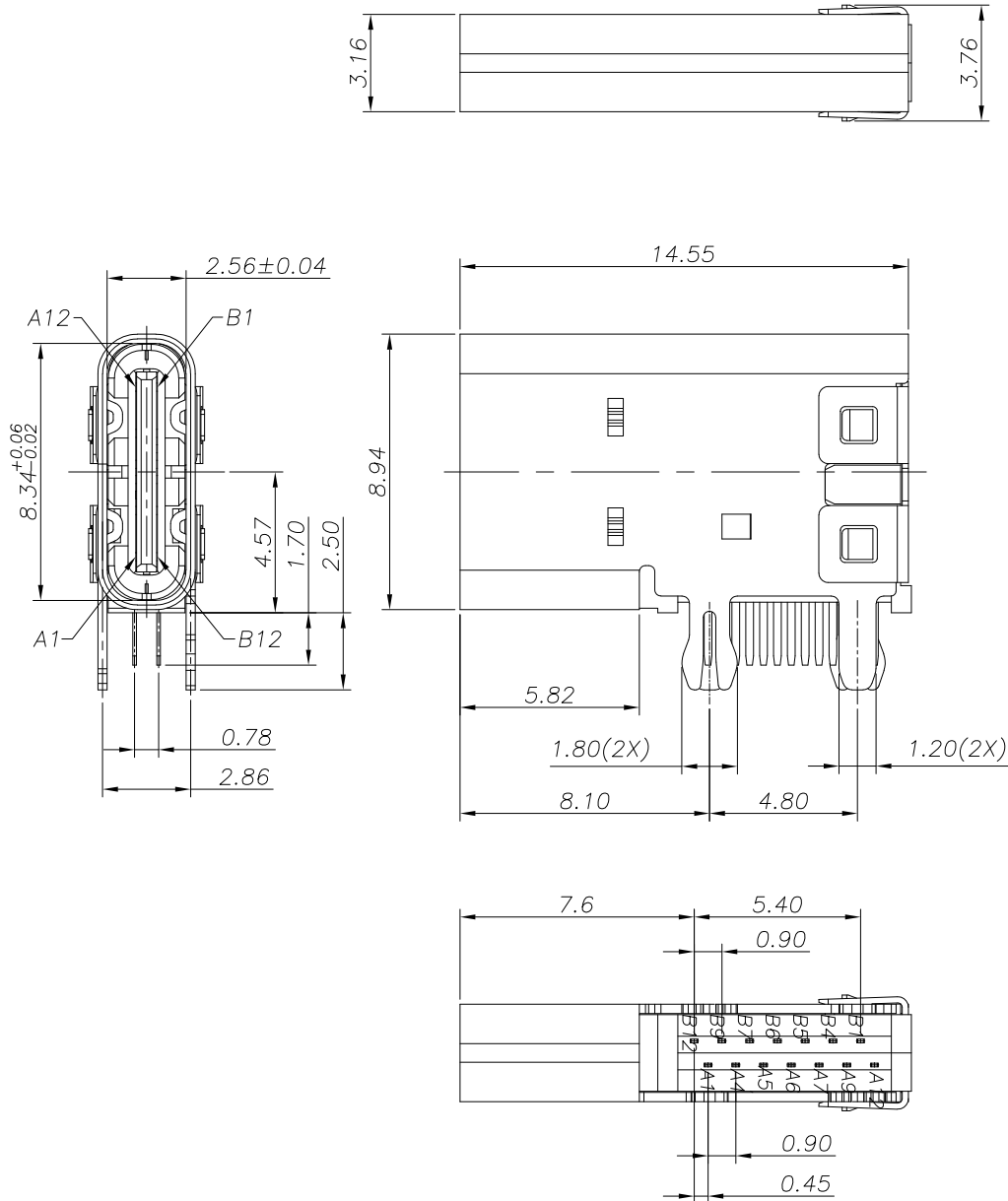
② ITEM NO.:

Flag type- 14pin W/ DIP1.75L.

CUSTOMER DRAWING

RoHS Compliant

③ GOLD PLATING :
03: 3u".



NOTES:

- MATERIAL SPECIFICATION:
 - HOUSING: LCP, UL94 V-0.
 - CONTACTS: COPPER ALLOY (C7025)
 - MID PLATE: STAINLESS STEEL (SUS301)
 - FRONT SHELL: STAINLESS STEEL (SUS304)
 - EMI PLATE: STAINLESS STEEL (SUS304)
- PLATING SPECIFICATION:
 - CONTACTS:
 - Ni 50u" MIN. UNDER PLATED OVER ALL.
Au PLATED ON THE FUNCTIONAL AREA OF CONTACT.
(GOLD PLATING THICKNESS FOLLOW THE P/N)
 - FRONT SHELL:
 - Ni 30u" MIN. UNDER PLATED OVER ALL.
 - MID PLATE & EMI PLATE:
 - CLEAR ONLY
- MECHANICAL PERFORMANCE,
 - INSERTION FORCE: 0.5 ~ 2.0kgf.
 - REMOVAL FORCE: 0.8kgf ~ 2.0kgf.
 - DURABILITY: 10000 CYCLES.
- ELECTRICAL PERFORMANCE,
 - CURRENT RATING: 3.0A
VOLTAGE RATING: 5.0V
 - LLCR:
 - VBUS & GND PINS AND OTHER PINS: 40mΩ/PIN MAX.
SHIELD: 50mΩ/MAX.
LLCR MAX. CHANGE OF ALL PINS: 10mΩ.
 - INSULATION RESISTANCE: 100MΩ MIN
 - DIELECTRIC WITHSTAND VOLTAGE, AC 100V FOR 1 MINUTE.
- IR REFLOW:

THE PEAK TEMPERATURE ON THE BOARD SHALL BE MAINTAINED FOR 10 SECONDS AT 260°C.

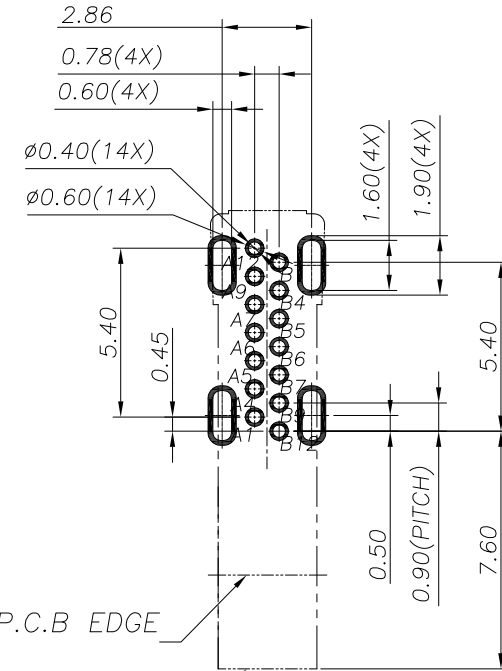
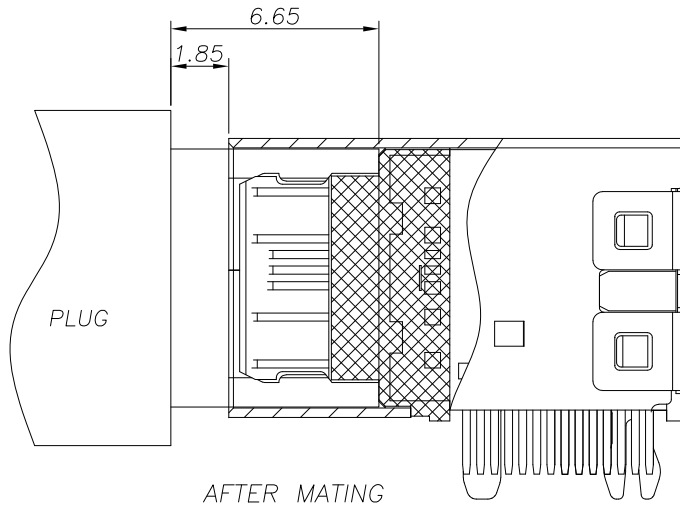
SUNFUN		SUNFUN TECHNOLOGY LTD			
DRAW NO.	MCCF-VFR1(A0)	DATE	MATERIAL: SEE NOTES	DRAW NAME:	
DESIGN:	Hank	09/19'18	FINISH: SEE NOTES	USB C Type CONN - FEMALE Flag type- 14pin with DIP1.75L	
CHECK:	Hank	09/19'18	FILE: MCCF-VFR1(A0)	MODEL: USB C TYPE CONN	
REVIEW:	Patrik	09/19'18	P/N: MCCF-VFR1(XXT)	UNIT:	SHEET:
APPROVED	Patrik	09/19'18	REV. A0	mm	1/2
			SCALE		

DIM	TOL
X.X	±0.30
X.XX	±0.20
X.XXX	±0.10

REV.	ECN NO.	LOCATIONS	DESCRIPTION	DATE	DESIGN
A0			NEW RELEASE	09/19'18	Hank

CUSTOMER DRAWING

RoHS Compliant



RECOMMENDED PCB LAYOUT(TOP VIEW)

USB TYPE-C PIN ASSIGNMENTS

PIN NUMBER	SIGNAL NAME	PIN NUMBER	SIGNAL NAME
A1	GND	B12	GND
A4	VBUS	B9	VBUS
A5	CC1	B7	Dn2
A6	Dp1	B6	Dp2
A7	Dn1	B5	CC2
A9	VBUS	B4	VBUS
A12	GND	B1	GND

DIM	TOL
X.X	±0.30
X.XX	±0.20
X.XXX	±0.10

SUNFUN		SUNFUN TECHNOLOGY LTD			
DRAW NO.	MCCF-VFR1(A0)	DATE	MATERIAL: SEE NOTES	DRAW NAME:	
DESIGN:	Hank	09/19'18	FINISH: SEE NOTES	USB C Type CONN - FEMALE	
CHECK:	Hank	09/19'18	FILE: MCCF-VFR1(A0)	Flag type- 14pin with DIP1.75L	
REVIEW:	Patrik	09/19'18	P/N: MCCF-VFR1(XXT)	MODEL: USB C TYPE CONN	
APPROVED	Patrik	09/19'18	REV. A0	SCALE	UNIT: mm
					SHEET: 2/2

