

REV.	ECN NO.	LOCATIONS	DESCRIPTION	DATE	DESIGN
A0			NEW RELEASE	10/25'19	Larry

**ORDERING INFORMATION**

**MCCF - Z1K5 (XX T)**

**1 PRODUCT SERIES:**

USB C TYPE connector –  
Receptacle (Female) side.

**2 ITEM NO.:**

Right Angle– Single Row SMD 16+2pin  
Sink1.36/ Body 6.5L

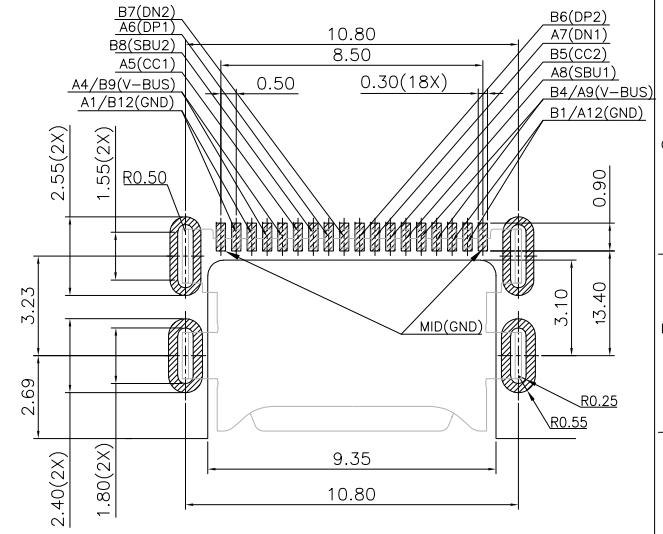
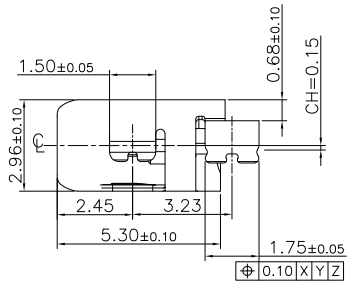
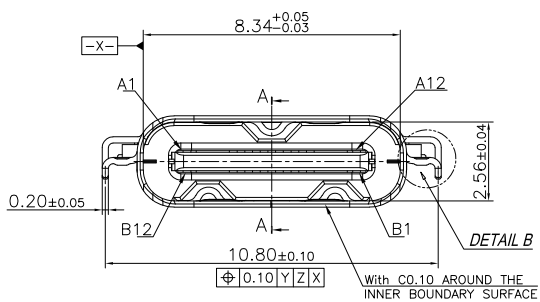
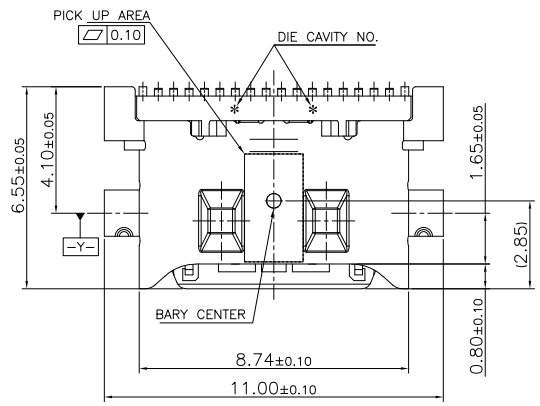
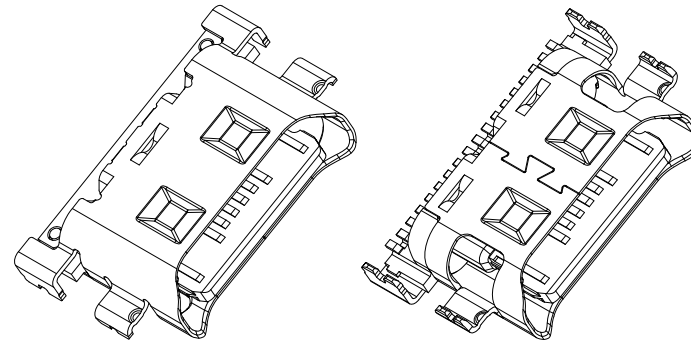
**CUSTOMER DRAWING**

**RoHS Compliant**

**3 GOLD PLATING :**

01: G/F.  
15: 15u".  
30: 30u".

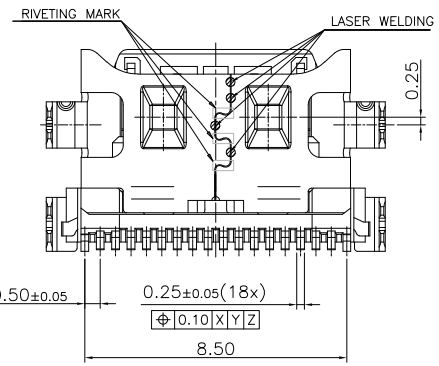
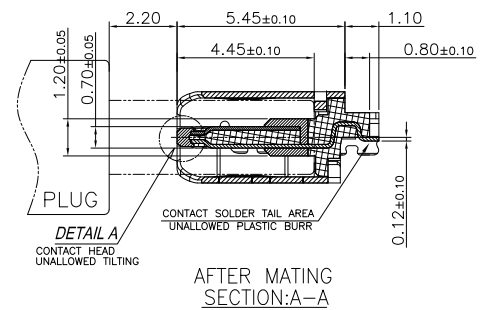
**3D VIEW**



**RECOMMENDED PCB LAYOUT**  
GENERAL TOLERANCE: ±0.05

**NOTES:**

- MATERIAL:**
  - HOUSING: HIGH TEMP plastic, UL94 V-0.
  - CONTACT: COPPER ALLOY.
  - SHELL: STAINLESS STEEL.
- PLATED:**
  - CONTACT: GOLD ON CONTACT AREA OVER 50u" NICKEL PLEATED OVERALL.
  - SHELL: 30u" NICKEL PLATED OVERALL.



**PIN ASSIGNMENTS**

PIN NO.	A1	A4	A5	A6	A7	A8	A9	A12
SIGNAL NAME	GND	VBUS	CC1	Dp1	Dn1	SBU1	VBUS	GND
PIN NO.	B12	B9	B8	B7	B6	B5	B4	B1
SIGNAL NAME	GND	VBUS	SBU2	Dn2	Dp2	CC2	VBUS	GND

DIM	TOL
X.X	±0.30
X.XX	±0.20
X.XXX	±0.10

<b>SUNFUN</b>		<b>SUNFUN TECHNOLOGY LTD</b>			
DRAW NO.	MCCF-Z1K5(A0)	DATE	10/25'19	MATERIAL:	SEE NOTES
DESIGN:	Larry	10/25'19	FINISH:	SEE NOTES	DRAW NAME:
CHECK:	Larry	10/25'19	FILE:	MCCF-Z1K5(A0)	USB C Type CONN - FEMALE
REVIEW:	Ziv	10/25'19	P/N:	MCCF-Z1K5(XXT)	Right Angle– Single Row SMD 16+2pin
APPROVED	Ziv	10/25'19	REV. A0	SCALE	Sink1.36/ Body 6.5L
			MODEL:	USB C TYPE CONN	
			UNIT:	mm	
			SHEET:	1/1	