

REV.	ECN NO.	LOCATIONS	DESCRIPTION	DATE	DESIGN
A0			NEW RELEASE	08/08'22	Hank

ORDERING INFORMATION

MCCFT - R1N5 (XX T)

① ② ③

① **PRODUCT SERIES:**
USB C TYPE connector –
Receptacle (Female) side.

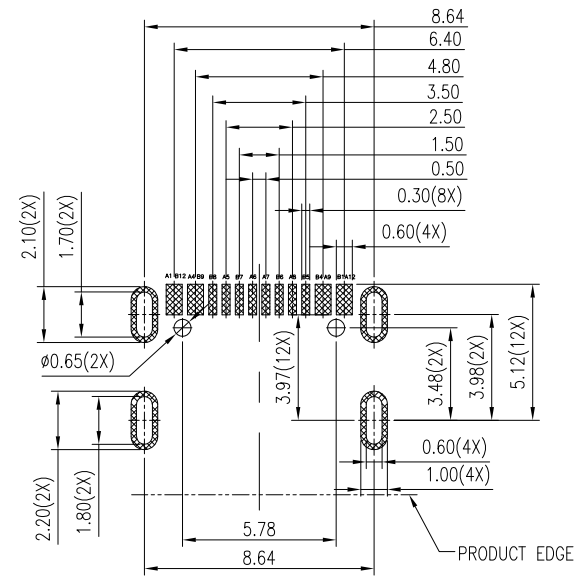
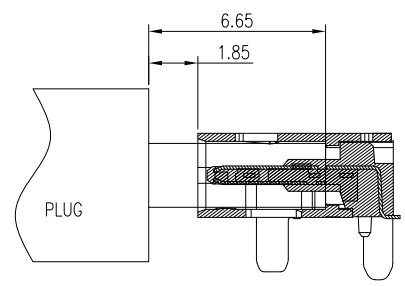
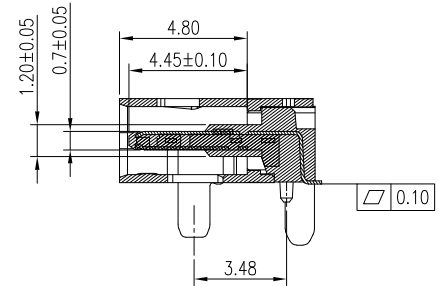
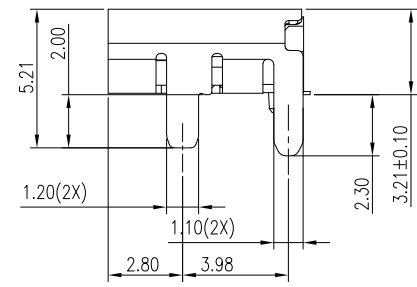
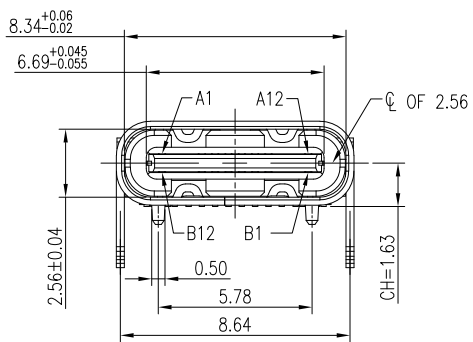
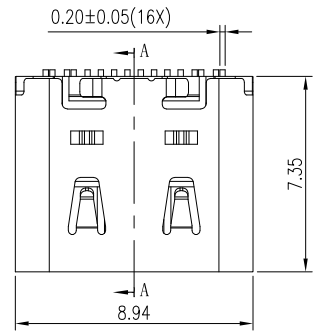
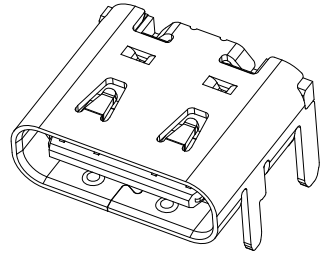
② **ITEM NO.:**
Right Angle– Single Row SMD 16 pin
With Shell DIP 4 pin(2.0L*2pcs+2.30L*2pcs)
Body 7.35L/ Standard on board type

CUSTOMER DRAWING

RoHS Compliant

③ **GOLD PLATING :**
0.3: 0.3u”

3D VIEW



RECOMMENDED P.C.B. LAYOUT
GENERAL TOLERANCE: ±0.05MM

NOTES:

- 1. MATERIAL:**
 - (1) HOUSING: HIGH TEMP plastic, UL94 V-0.
 - (2) CONTACT: COPPER ALLOY.
 - (3) MID PLATE: STAINLESS STEEL.
 - (4) SHELL: STAINLESS STEEL.
- 2. PLATED:**
 - (1) CONTACT: GOLD ON CONTACT AREA OVER NICKEL PLATED OVERALL.
 - (2) SHELL: NICKEL PLATED OVERALL.
 - (3) MID PLATE: CLEAR ONLY.

PIN ASSIGNMENTS:

A1	A4	A5	A6	A7	A8	A9	A12
GND	Vbus	CC1	D+	D-	SBU1	Vbus	GND
B12	B9	B8	B7	B6	B5	B4	B1
GND	Vbus	SBU2	D-	D+	CC2	Vbus	GND

DIM	TOL
X.X	±0.30
X.XX	±0.20
X.XXX	±0.10

SUNFUN		SUNFUN TECHNOLOGY LTD			
DRAW NO.	MCCFT-R1N5(A0)	DATE	08/08'22	MATERIAL:	SEE NOTES
DESIGN:	Hank	08/08'22	FINISH:	SEE NOTES	DRAW NAME:
CHECK:	Hank	08/08'22	FILE:	MCCFT-R1N5(A0)	USB C Type CONN - FEMALE, Right Angle- Single Row SMD 16 pin With shell DIP 4 pin/ Standard on board type
REVIEW:	Ziv	08/08'22	P/N:	MCCFT-R1N5(XXT)	MODEL: USB C TYPE CONN
APPROVED	Ziv	08/08'22	REV. A0	SCALE	UNIT: mm SHEET: 1/1