

3D VIEW

REV.	ECN NO.	LOCATIONS	DESCRIPTION	DATE	DESIGN
A1			REVISED SOME DETAILS	05/20'20	Hank

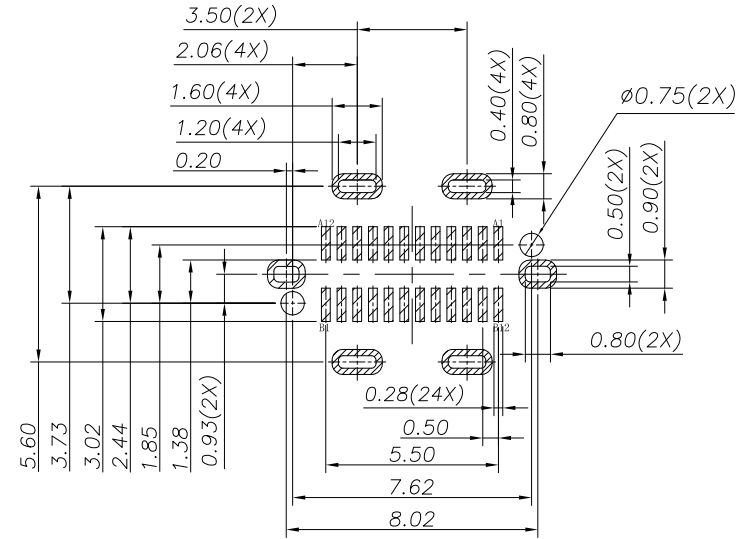
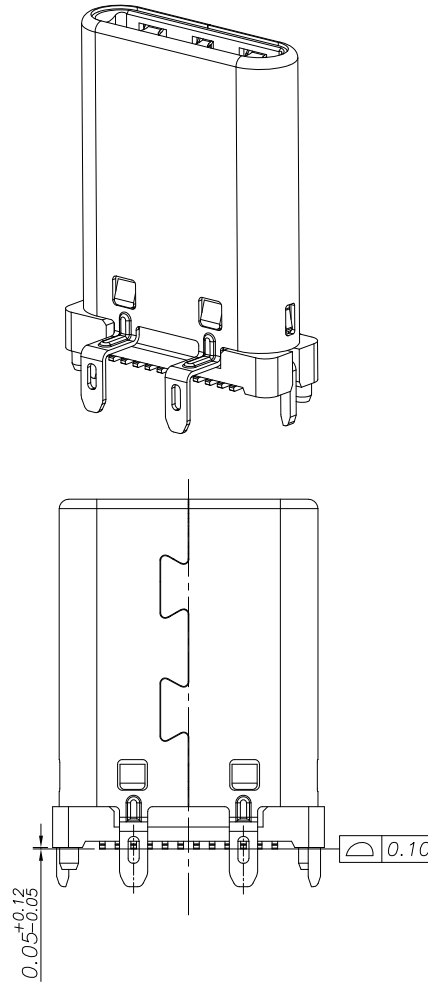
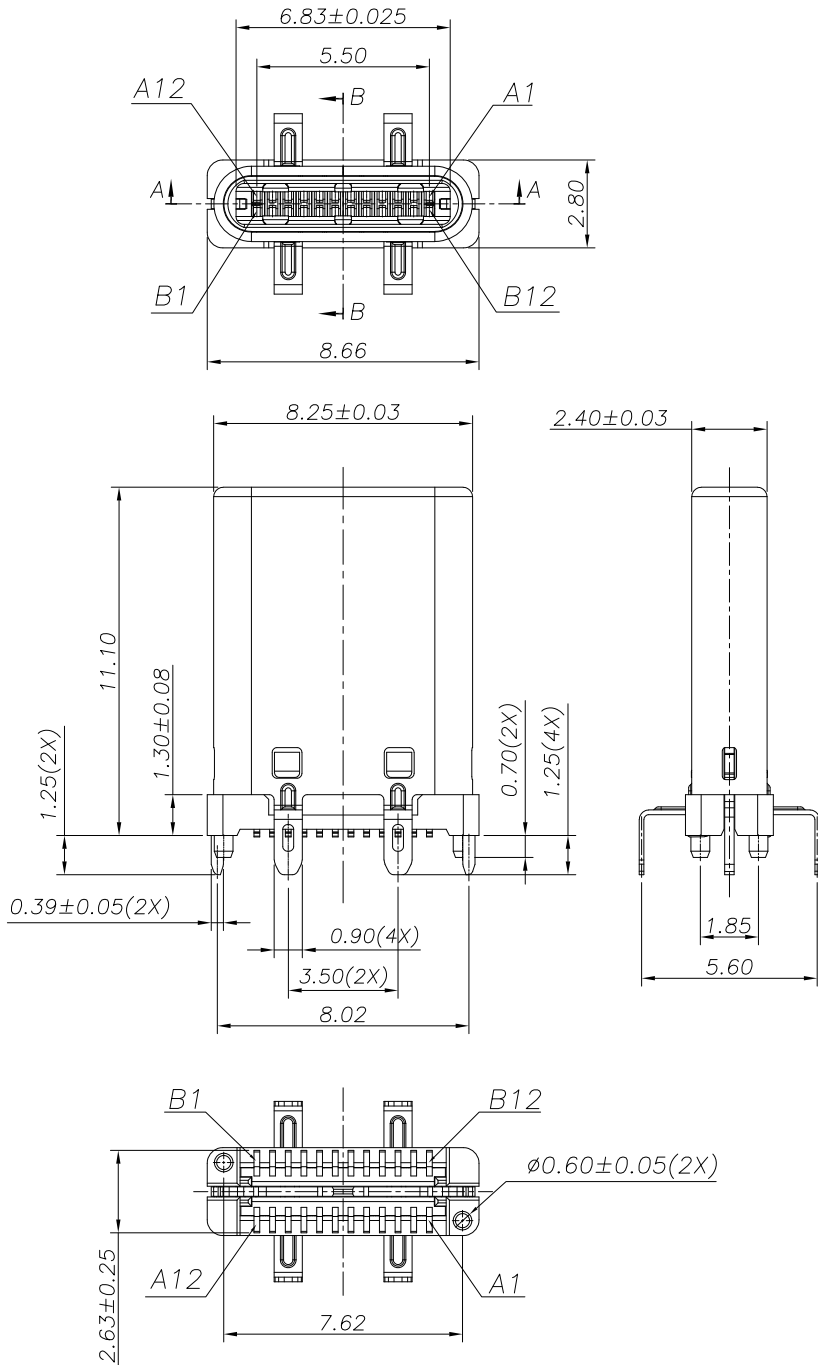
CUSTOMER DRAWING
RoHS Compliant

ORDERING INFORMATION

MCCF - V2N2 (XX T)

- ① **PRODUCT SERIES:**
USB C TYPE connector - Plug (Male) side.
- ② **ITEM NO.:**
Vertical- Dual Row 24pin
6Dip+2Post/ Shell 11.10L

- ③ **GOLD PLATING :**
03: 3u"
15: 15u"
30: 30u"



NOTES:

1. MATERIAL:
 - (1) HOUSING: HIGH TEMP plastic, UL94 V-0.
 - (2) CONTACT: COPPER ALLOY.
 - (3) MID PLATE: STAINLESS STEEL.
 - (4) SHELL: STAINLESS STEEL.
2. PLATED:
 - (1) CONTACT: GOLD ON CONTACT AREA OVER NICKEL PLEATED OVERALL.
 - (2) SHELL: NICKEL PLATED OVERALL.
 - (3) MID PLATE: CLEAR ONLY

SUNFUN SUNFUN TECHNOLOGY LTD

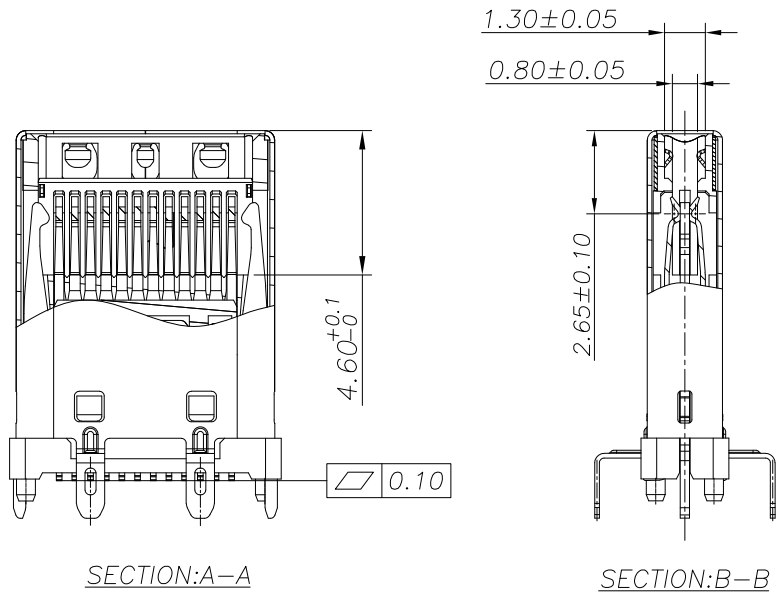
DRAW NO.	MCCM-V2N1(A1)	DATE	05/20'20	MATERIAL:	SEE NOTES	DRAW NAME:	USB C Type CONN - MALE
DESIGN:	Hank	05/20'20		FINISH:	SEE NOTES		Vertical- Dual Row 24pin
CHECK:	Hank	05/20'20		FILE:	MCCM-V2N1(A1)		6Dip+2Post/ Shell 11.10L
REVIEW:	Rui	05/20'20		P/N:	MCCM-V2N1(XXT)	MODEL:	USB C TYPE CONN
APPROVED	Rui	05/20'20		REV. A1	SCALE	UNIT:	SHEET:
						mm	1/2

DIM	TOL
X.X	±0.30
X.XX	±0.20
X.XXX	±0.10

REV.	ECN NO.	LOCATIONS	DESCRIPTION	DATE	DESIGN
A1			REVISED SOME DETAILS	05/20'20	Hank

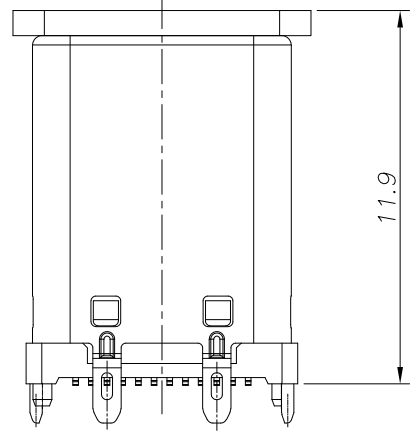
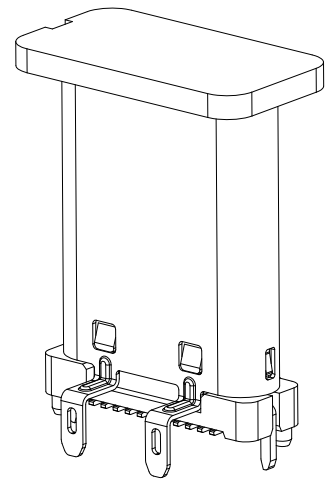
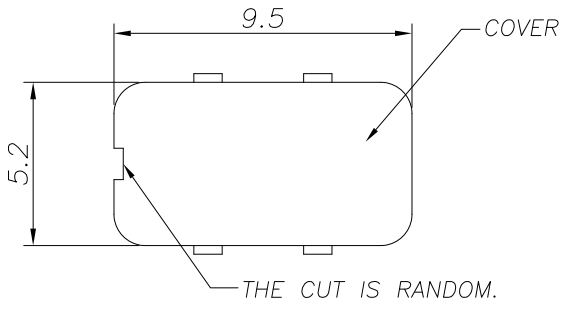
CUSTOMER DRAWING

RoHS Compliant



USB TYPE-C PIN ASSIGNMENTS

PIN NO	SIGNAL NAME	PIN NO	SIGNAL NAME
A1	GND	B12	GND
A2	SSTXp1	B11	SSRXp1
A3	SSTXn1	B10	SSRXn1
A4	Vbus	B9	Vbus
A5	CC1	B8	SBU2
A6	Dp1	B7	Dn2
A7	Dn1	B6	Dp2
A8	SBU1	B5	CC2
A9	Vbus	B4	Vbus
A10	SSRXn2	B3	SSTXn2
A11	SSRXp2	B2	SSTXp2
A12	GND	B1	GND



DIM	TOL
X.X	±0.30
X.XX	±0.20
X.XXX	±0.10

SUNFUN		SUNFUN TECHNOLOGY LTD			
DRAW NO.	MCCM-V2N1(A1)	DATE	05/20'20	MATERIAL:	SEE NOTES
DESIGN:	Hank	05/20'20	FINISH:	SEE NOTES	DRAW NAME:
CHECK:	Hank	05/20'20	FILE:	MCCM-V2N1(A1)	USB C Type CONN - MALE
REVIEW:	Rui	05/20'20	P/N:	MCCM-V2N1(XXT)	Vertical- Dual Row 24pin
APPROVED	Rui	05/20'20	REV. A1	SCALE	6Dip+2Post/ Shell 11.10L
				MODEL:	USB C TYPE CONN
				UNIT:	mm
				SHEET:	2/2

