

| REV. | ECN NO. | LOCATIONS | DESCRIPTION          | DATE     | DESIGN |
|------|---------|-----------|----------------------|----------|--------|
| A1   |         |           | REVISED SOME DETAILS | 05/20'20 | Hank   |

3D VIEW

CUSTOMER DRAWING

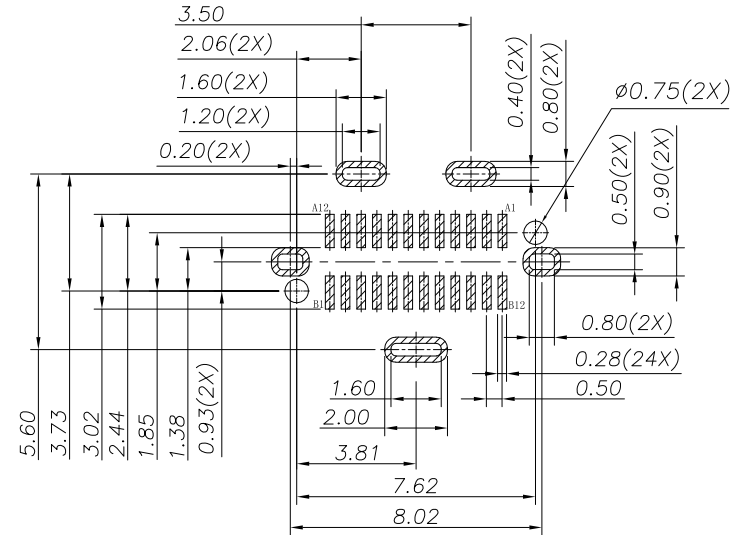
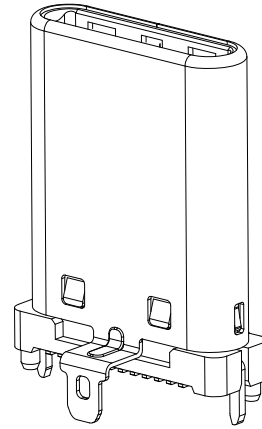
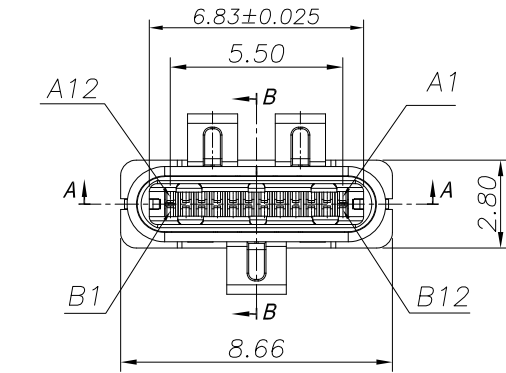
RoHS Compliant

**ORDERING INFORMATION**

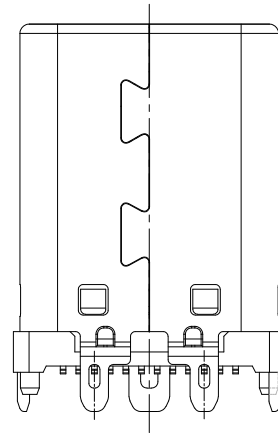
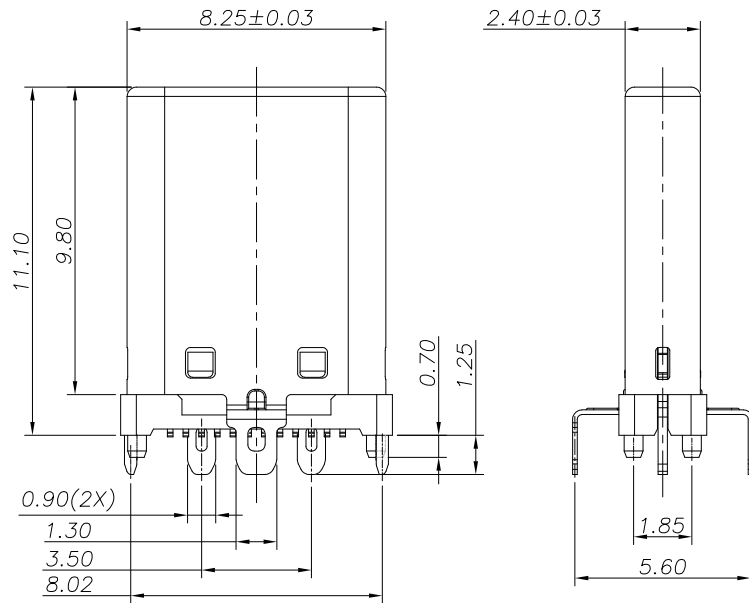
**MCCF - V2N2 (XX T)**

- ① **PRODUCT SERIES:**  
USB C TYPE connector - Plug (Male) side.
- ② **ITEM NO.:**  
Vertical- Dual Row 24pin 5Dip+2Post/ Shell 11.10L

- ③ **GOLD PLATING :**  
03: 3u"  
15: 15u"  
30: 30u"

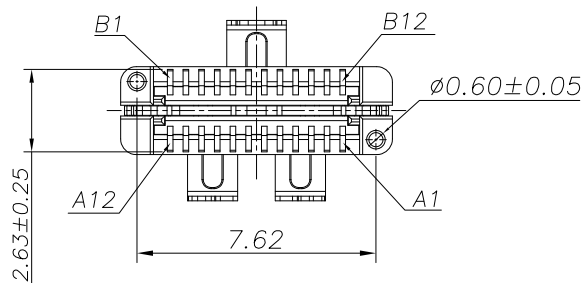


RECOMMENDED P.C.B. LAYOUT THICKNESS 0.80±0.05MM



**NOTES:**

1. MATERIAL:
  - (1) HOUSING: HIGH TEMP plastic, UL94 V-0.
  - (2) CONTACT: COPPER ALLOY.
  - (3) MID PLATE: STAINLESS STEEL.
  - (4) SHELL: STAINLESS STEEL.
2. PLATED:
  - (1) CONTACT: GOLD ON CONTACT AREA OVER NICKEL PLEATED OVERALL.
  - (2) SHELL: NICKEL PLEATED OVERALL.
  - (3) MID PLATE: CLEAR ONLY



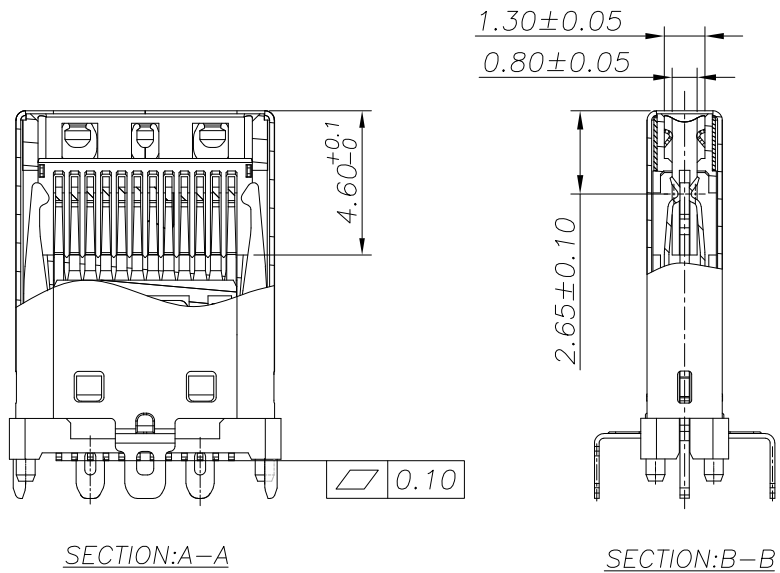
| DIM   | TOL   |
|-------|-------|
| X.X   | ±0.30 |
| X.XX  | ±0.20 |
| X.XXX | ±0.10 |

|               |               |                              |          |                |                          |
|---------------|---------------|------------------------------|----------|----------------|--------------------------|
| <b>SUNFUN</b> |               | <b>SUNFUN TECHNOLOGY LTD</b> |          |                |                          |
| DRAW NO.      | MCCM-V2N2(A1) | DATE                         | 05/20'20 | MATERIAL:      | SEE NOTES                |
| DESIGN:       | Hank          | 05/20'20                     | FINISH:  | SEE NOTES      | DRAW NAME:               |
| CHECK:        | Hank          | 05/20'20                     | FILE:    | MCCM-V2N2(A1)  | USB C Type CONN - MALE   |
| REVIEW:       | Rui           | 05/20'20                     | P/N:     | MCCM-V2N2(XXT) | Vertical- Dual Row 24pin |
| APPROVED      | Rui           | 05/20'20                     | REV. A1  | SCALE          | 5Dip+2Post/ Shell 11.10L |
|               |               |                              |          | MODEL:         | USB C TYPE CONN          |
|               |               |                              |          | UNIT:          | mm                       |
|               |               |                              |          | SHEET:         | 1/2                      |

| REV. | ECN NO. | LOCATIONS | DESCRIPTION          | DATE     | DESIGN |
|------|---------|-----------|----------------------|----------|--------|
| A1   |         |           | REVISED SOME DETAILS | 05/20'20 | Hank   |

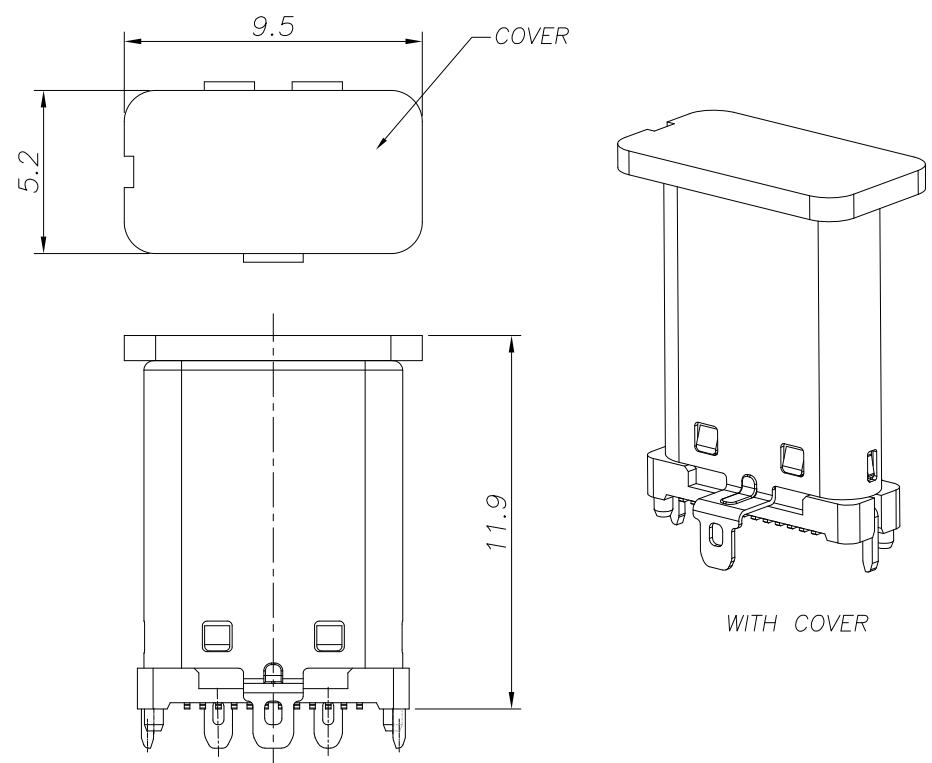
**CUSTOMER DRAWING**

RoHS Compliant



*USB TYPE-C PIN ASSIGNMENTS*

| PIN NO | SIGNAL NAME | PIN NO | SIGNAL NAME |
|--------|-------------|--------|-------------|
| A1     | GND         | B12    | GND         |
| A2     | SSTXp1      | B11    | SSRXp1      |
| A3     | SSTXn1      | B10    | SSRXn1      |
| A4     | Vbus        | B9     | Vbus        |
| A5     | CC1         | B8     | SBU2        |
| A6     | Dp1         | B7     | Dn2         |
| A7     | Dn1         | B6     | Dp2         |
| A8     | SBU1        | B5     | CC2         |
| A9     | Vbus        | B4     | Vbus        |
| A10    | SSRXn2      | B3     | SSTXn2      |
| A11    | SSRXp2      | B2     | SSTXp2      |
| A12    | GND         | B1     | GND         |



| DIM   | TOL   |
|-------|-------|
| X.X   | ±0.30 |
| X.XX  | ±0.20 |
| X.XXX | ±0.10 |

|               |               |                              |                     |                          |                        |
|---------------|---------------|------------------------------|---------------------|--------------------------|------------------------|
| <b>SUNFUN</b> |               | <b>SUNFUN TECHNOLOGY LTD</b> |                     |                          |                        |
| DRAW NO.      | MCCM-V2N2(A1) | DATE                         | MATERIAL: SEE NOTES | DRAW NAME:               |                        |
| DESIGN:       | Hank          | 05/20'20                     | FINISH: SEE NOTES   | USB C Type CONN - MALE   |                        |
| CHECK:        | Hank          | 05/20'20                     | FILE: MCCM-V2N2(A1) | Vertical- Dual Row 24pin |                        |
| REVIEW:       | Rui           | 05/20'20                     | P/N: MCCM-V2N2(XXT) | 5Dip+2Post/ Shell 11.10L |                        |
| APPROVED      | Rui           | 05/20'20                     | REV. A1             | SCALE                    | MODEL: USB C TYPE CONN |
|               |               |                              |                     | UNIT: mm                 | SHEET: 2/2             |

