

REV.	ECN NO.	LOCATIONS	DESCRIPTION	DATE	DESIGN
A1			Add push-push positions	09/15'14	DON

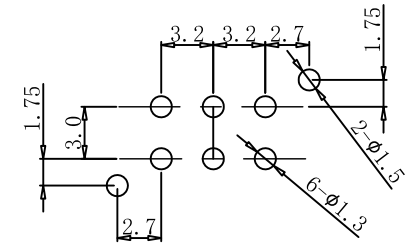
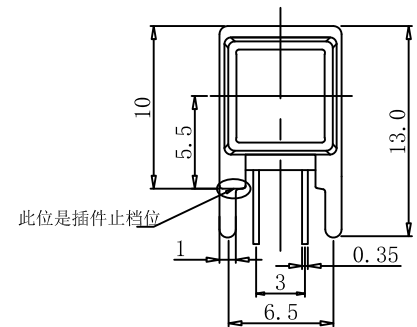
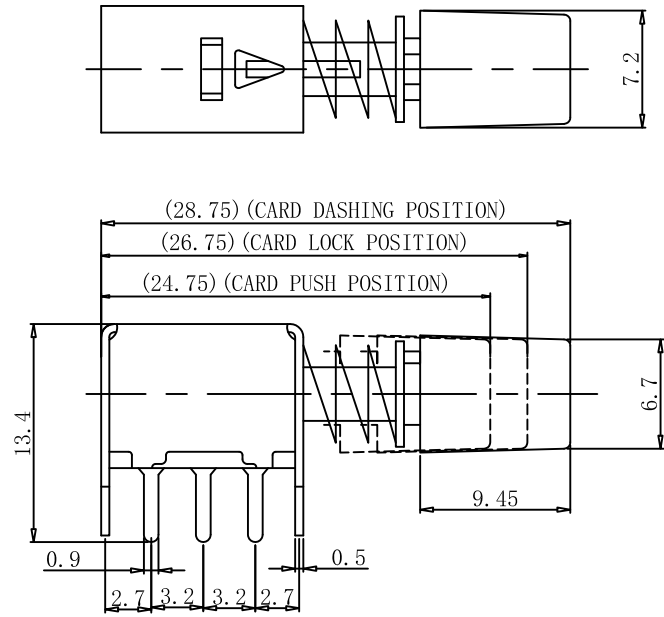
ORDERING INFORMATION

PS-22F02L

ITEM NO.:
SWITCH CONN-
PUSH SWITCH W/ CAP.

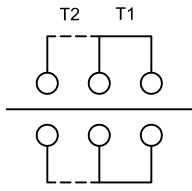
CUSTOMER DRAWING

RoHS Compliant



RECOMMENDED P.C.B. LAYOUT (T:1.20mm)
TOLERANCE UNSPECIFIED ±0.05mm

- NOTES :
- MATERIAL :
1-1. CAP: ABS.
1-2. CONTACT: C2800.
1-3. SHELL: FE.
1-4. PUSH ROD: POM.
 - FINISH :
2-1. CONTACT: AG PLATED OVER NICKEL ON CONTACT AREA.
2-2. SHELL: NICKEL PLATED OVER ALL.
 - SPECIFICATION :
3-1. RATNG:DC 15V 1A.
3-2. CONTACT RESISTANCE:30mΩ max.
3-3. INSULATION RESISTANCE:100MΩ at 500V DC.
3-4. WITHSTAND VOLTAGE:AC500V for 1 minute.
3-5. SWITCHING LIFE:10,000cycles(unloading/15-18cycles/min).



DIM	TOL	DIM	TOL
X.X	±0.30	X.X'	±3.0'
X.XX	±0.20	X.XX'	±2.0'
X.XXX	±0.10	X.XXX'	±1.0'

SUNFUN		SUNFUN TECHNOLOGY LTD			
DRAW NO.	PS-22F02L(A1)	DATE	09/15'14	MATERIAL:	SEE NOTES
DESIGN:	DON	09/15'14	FINISH:	SEE NOTES	DRAW NAME:
CHECK:	DON	09/15'14	FILE:	PS-22F02L(A1)	SWITCH CONN- PUSH SWITCH W/CAP.
REVIEW:	SEA	09/15'14	P/N:	PS-22F02L	MODEL: Switch CONN
APPROVED	SEA	09/15'14	REV. A1	SCALE	UNIT: mm
					SHEET: 1/1