

REV.	ECN NO.	LOCATIONS	DESCRIPTION	DATE	DESIGN
A0			New Release	03/31'20	Sky

ORDERING INFORMATION

PS01M - 04185

① ②

① PRODUCT SERIES

Pogo-pin connector -
Right Angle/ Male/ Pitch 2.50mm
SMD Pin with Post type.

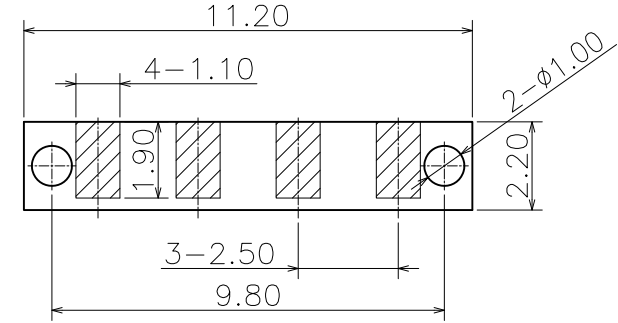
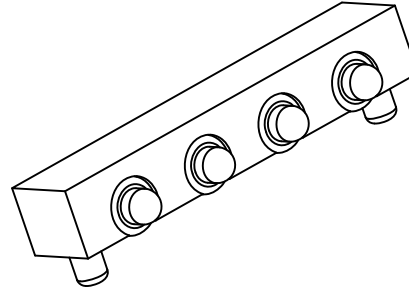
② ITEM NO.:

4 SMD Pin With Post/ 1.85mm Height Base.

CUSTOMER DRAWING

RoHS Compliant

3D VIEW



Recommended PCB layout
Layout tolerance ±0.05mm

NOTES:

1. MATERIAL:

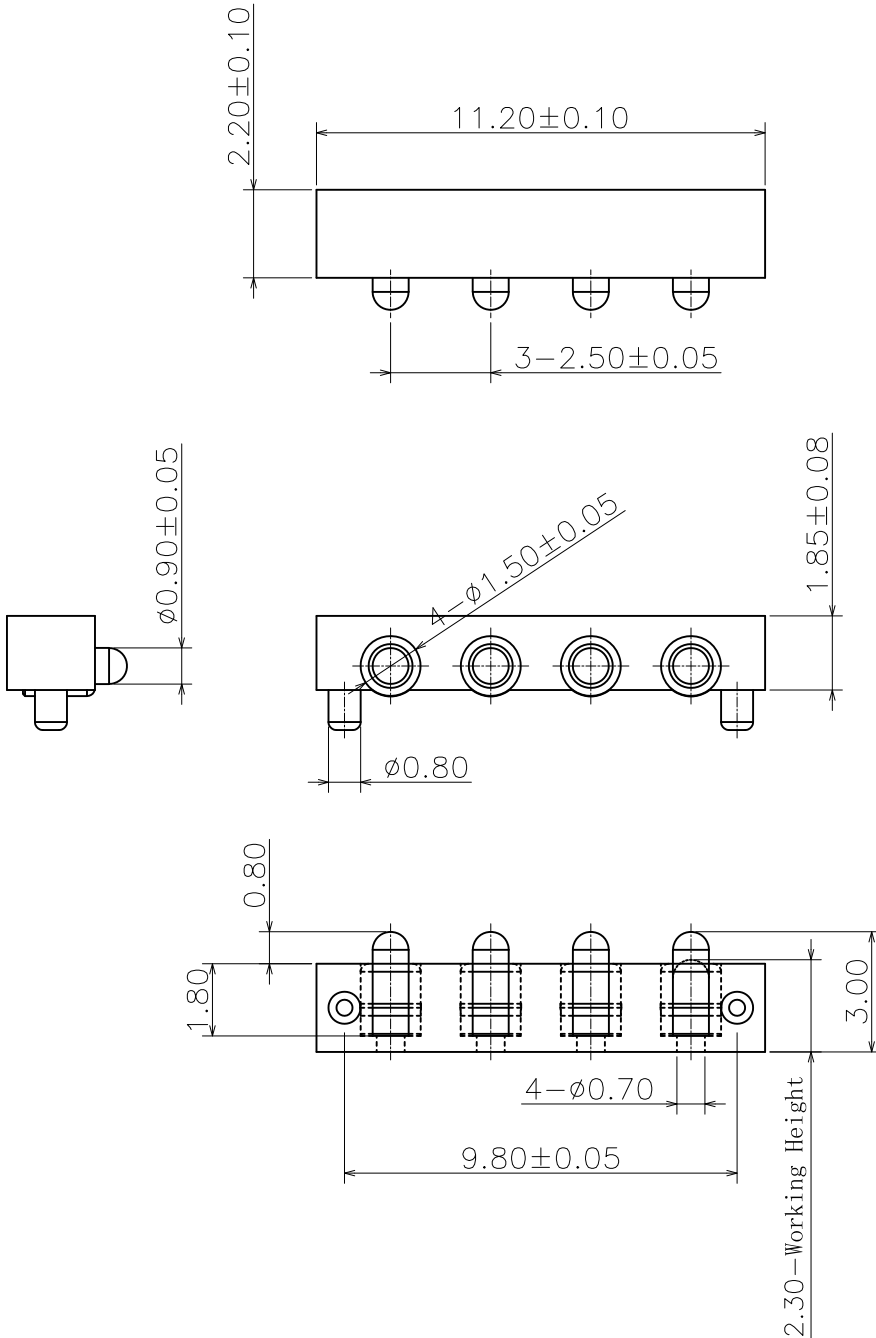
Insulator: HTN UL94 V-0 HF
Contact: Copper Alloy
Spring: Stainless Steel

2. PLATING:

Contact: Plated 50u" Min Ni over all
Plated 3u"Au flash over all

3. ELECTRICAL:

Current Rating :1.0A DC max.
Voltage Rating :12V DC max
Ambient Temperature Range :-40°C~+85°C
Ambient Humidity Range :10% R.H~95% R.H.
Contact Resistance: 50mΩ max.
Durability: 10,000 cycles min.



DIM	TOL
X.X	±0.30
X.XX	±0.20
X.XXX	±0.10

SUNFUN		SUNFUN TECHNOLOGY LTD			
DRAW NO.	PS01M-04185(A0)	DATE	03/31'20	MATERIAL:	SEE NOTES
DESIGN:	Sky	03/31'20	FINISH:	SEE NOTES	DRAW NAME:
CHECK:	Sky	03/31'20	FILE:	PS01M-04185(A0)	POGO PIN CONN - RA/ MALE PITCH 2.50MM/ 4 SMD PIN WITH POST/ 1.85MM HEIGHT.
REVIEW:	Jack	03/31'20	P/N:	PS01M-04185	MODEL: POGO-PIN CONN
APPROVED	Jack	03/31'20	REV. A0	SCALE	UNIT: mm SHEET: 1/1