

REV.	ECN NO.	LOCATIONS	DESCRIPTION	DATE	DESIGN
A0			New Release	06/18'19	Sky

ORDERING INFORMATION

PW43M - 070114

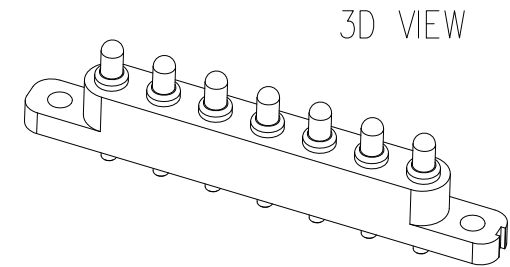
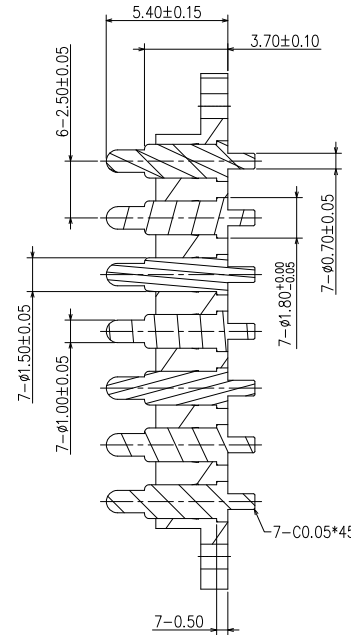
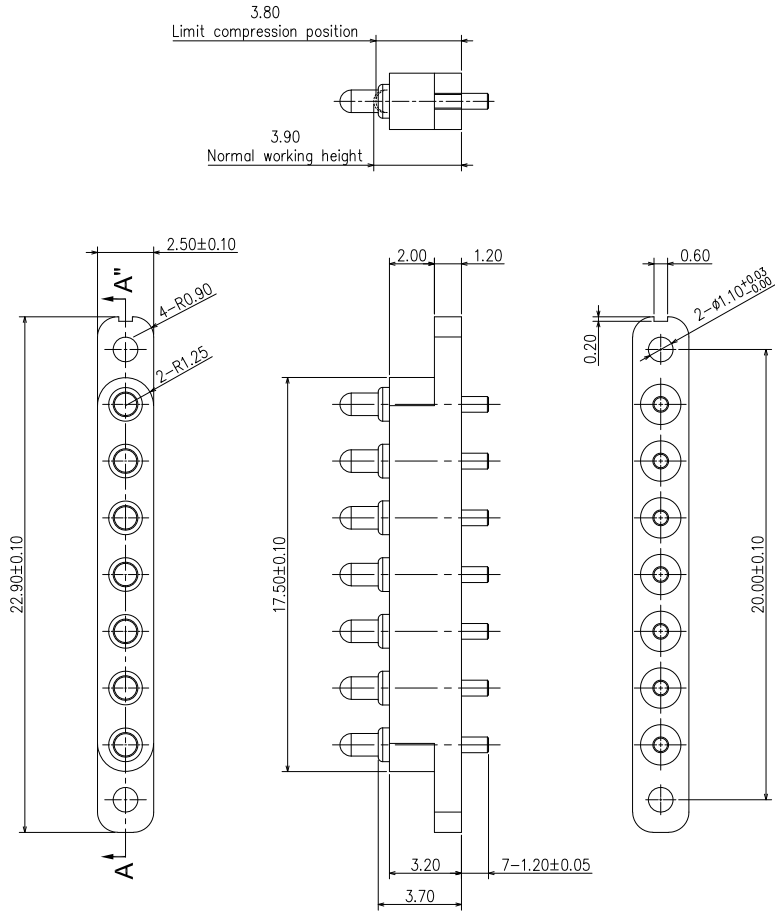
① ②

① **PRODUCT SERIES**
Pogo connector –
Pitch 2.5mm / Male
Straight dip type.

② **SPEC NOTES:**
3.20mm Height Base.

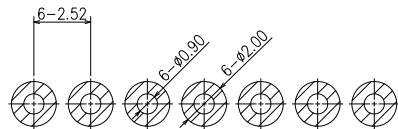
CUSTOMER DRAWING

RoHS Compliant



NOTES:

- MATERIAL:**
Insulator: High-Temp Thermoplastic, UL 94V-0.
Contact: Copper Alloy
- PLATING:**
Contact: Plated 50u" Ni over all
Plated 3u"Au flash over all
- ELECTRICAL:**
Current Rating: 2.0A DC max.
Voltage Rating: 12V DC max.
Ambient Temperature Range: -40°C~+85°C
Ambient Humidity Range: 90% R.H. Max.
Contact Resistance: 30MΩ max.
Insulation Resistance: 1000MΩ Min/500V DC
- MECHANICAL:**
Durability: 20,000 cycles
Working Height: 3.90mm



DIM	TOL	DIM	TOL
X.X	±0.30	X.X'	±3.0'
X.XX	±0.20	X.XX'	±2.0'
X.XXX	±0.10	X.XXX'	±1.0'

SUNFUN		SUNFUN TECHNOLOGY LTD			
DRAW NO.	PW43M-070114(A0)	DATE	MATERIAL:	SEE NOTES	DRAW NAME:
DESIGN:	Sky	06/18'19	FINISH:	SEE NOTES	POGO PIN CONN - MALE PITCH 2.5/ 3.20H/ 7PIN STR DIP TYPE.
CHECK:	Sky	06/18'19	FILE:	PW43M-070114(A0)	MODEL:
REVIEW:	Rui	06/18'19	P/N:	PW43M-070114	POGO-PIN CONN
APPROVED	Rui	06/18'19	REV.	A0	SCALE
					UNIT: SHEET: 1/1