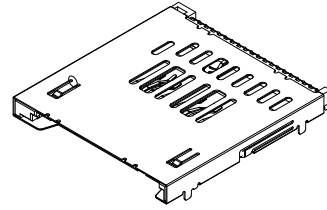


REV.	ECN NO.	LOCATIONS	DESCRIPTION	DATE	DESIGN
A1			Modify some detail	06/10'19	Larry

3D VIEW



ORDERING INFORMATION

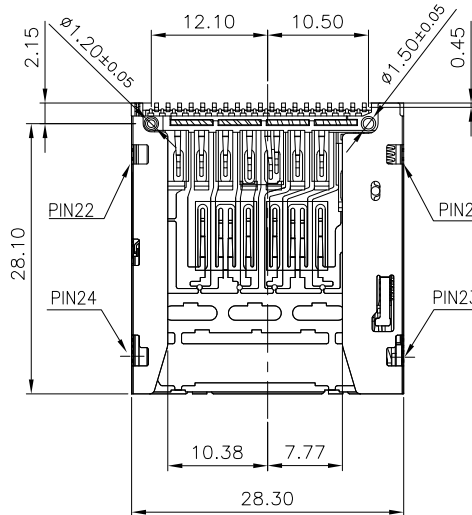
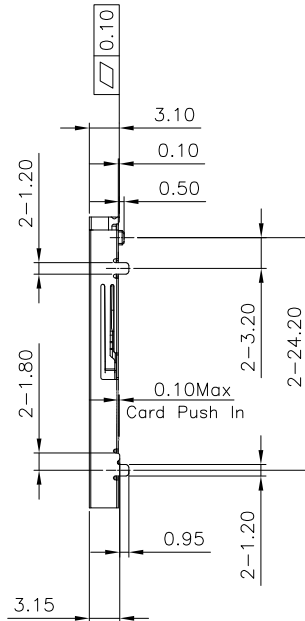
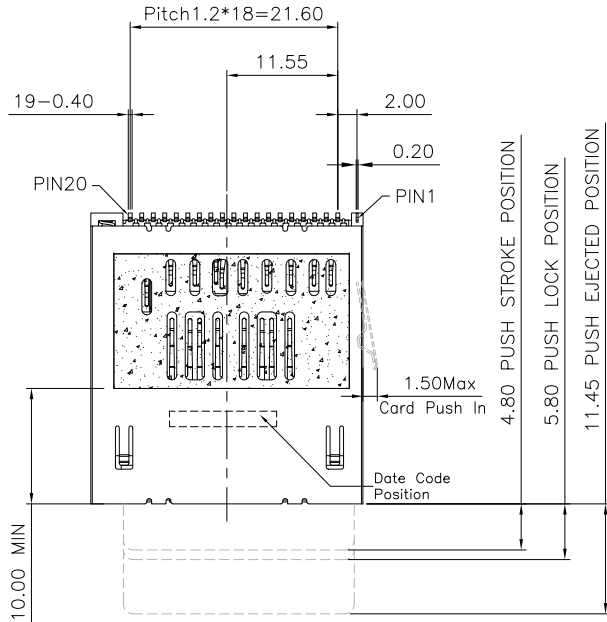
S4PR - N01 (XX X)
 ① ② ③ ④

- ① **PRODUCT SERIES**
SD4.0 CARD CONNECTOR-
PUSH-PUSH REVERSE TYPE.
- ② **ITEM NO.**
SMD 3.2H TYPE.

CUSTOMER DRAWING

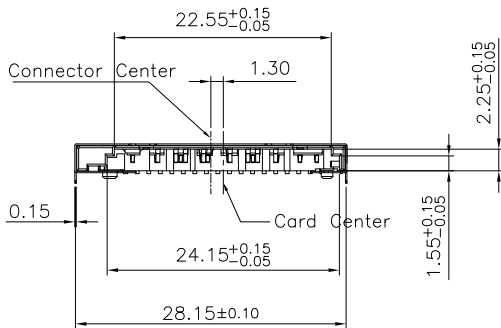
RoHS Compliant

- ③ **TERMINAL GOLD PLATED ON CONTACT AREA:**
01: 1u"
05: 5u"
10: 10u"
15: 15u"
30: 30u"
- ④ **PACKAGE:**
R: REEL.



NOTES:

- Electrical Characteristics:**
Contact Current Rating: 0.5A.
Dielectric Withstanding Voltage: AC500V.
Insulation Resistance: 1000 MΩ MIN.
Contact Resistance: 100 mΩ MAX.
- Environmental:**
Operating Temperature: -25°C~+85°C.
- Mechanical Characteristics:**
Mating Cycles: 10,000 Cycles.
Card Push Insert/Out Force: 1kgf MAX.
Contact Retention Force: 0.15kgf MIN.
- Material:**
Insulator: HI-Temp, UL 94V-0, Black Color.
Contact: Copper Alloy.
Shell: Stainless Steel.
Spring: SWPB.
- Plating:**
Contact: Gold on contact area, and Tin on solder-tails over Nickel plated overall.
Shell: Gold flash on solder-tails.



DIM	TOL	DIM	TOL
X.X	±0.30	X.X'	±3.0'
X.XX	±0.20	X.XX'	±2.0'
X.XXX	±0.10	X.XXX'	±1.0'

SUNFUN		SUNFUN TECHNOLOGY LTD			
DRAW NO.	S4PR-N01(A1)	DATE	MATERIAL: SEE NOTES	DRAW NAME:	
DESIGN:	Larry	06/10'19	FINISH: SEE NOTES	SD4.0 CARD CONN- PUSH-PUSH/ REVERSE 3.2H TYPE	
CHECK:	Larry	06/10'19	FILE: S4PR-N01(A1)	MODEL: SD4.0 CARD PP	
REVIEW:	Ziv	06/10'19	P/N: S4PR-N01(XXX)	UNIT:	SHEET:
APPROVED	Ziv	06/10'19	REV. A1	mm	1/2
			SCALE		