

REV.	ECN NO.	LOCATIONS	DESCRIPTION	DATE	DESIGN
A1			UPDATE SOME DETAILS	05/08'15	Johnny

ORDERING INFORMATION

SMEI- SZ1 (XX T)

① ② ③

① **PRODUCT SERIES:**
MICRO-SIM CARD SOCKET-
NON PUSH TYPE.

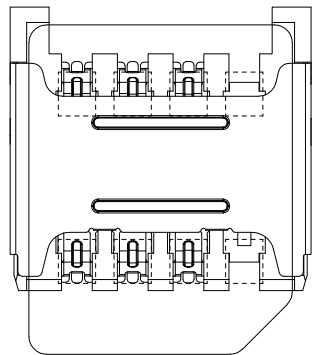
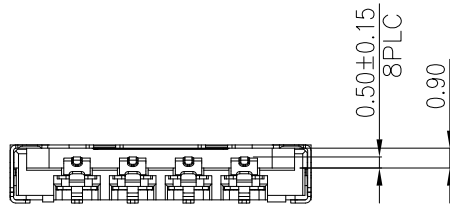
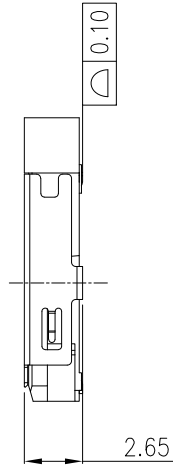
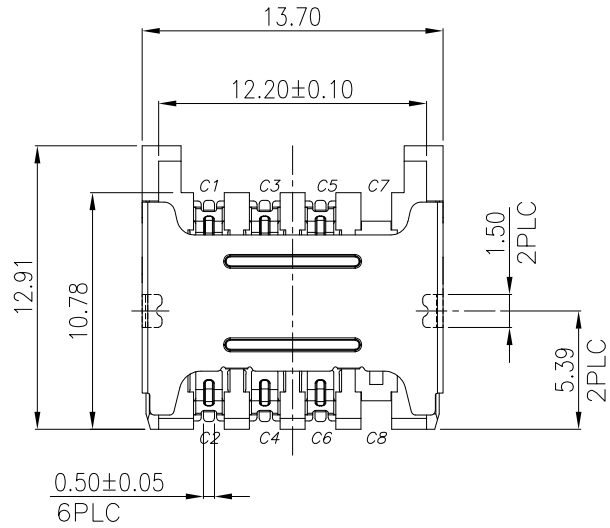
② **ITEM NO.:**
6PIN/ DOUBLE ROW/ 2.65H.

CUSTOMER DRAWING

RoHS Compliant

③ **GOLD PLATING**

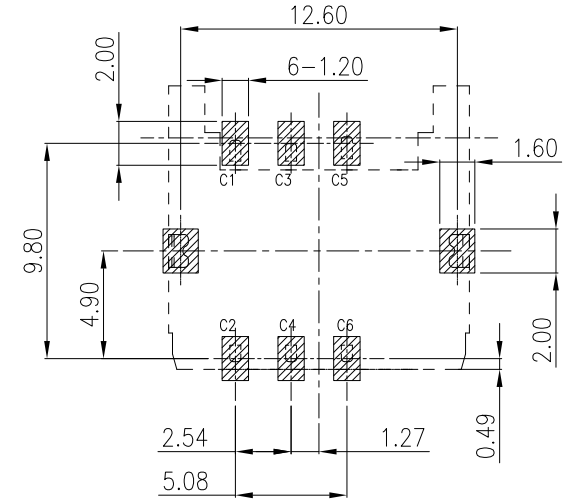
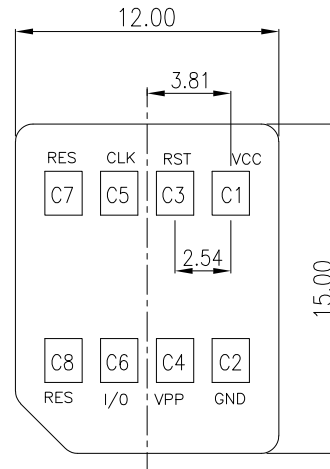
01: G/F,
05: 5u",
10: 10u",
15: 15u",
30: 30u".



INSERT CARD

PIN DEFINE

MICRO SIM CARD	
PIN NO.	DESCRIPTION
C1	VCC
C3	RST
C5	CLK
C7	RESERVED
C2	GND
C4	VPP
C6	I/O
C8	RESERVED



RECOMMENDED PCB LAYOUT(TOP VIEW)

GENERAL TOLERANCES:±0.05

NOTES:

- MATERIAL:**
1-1. HOUSING: LCP, HIGH TEMP, BLACK COLOR.
1-2. TERMINAL: COPPER ALLOY, C5191.
1-3. SHELL: STAINLESS STEEL, SUS304.
- FINISH:**
2-1. TERMINAL: GOLD ON CONTACT AREA OVER NICKEL PLATED OVERALL.
2-2. SHELL: NICKEL PLATED OVERALL.

DIM	TOL	DIM	TOL
X.X	±0.30	X.X*	±3.0*
X.XX	±0.20	X.XX*	±2.0*
X.XXX	±0.10	X.XXX*	±1.0*

SUNFUN		SUNFUN TECHNOLOGY LTD			
		DRAW NO. SMEI-SZ1(A1)	DATE 05/08'15	MATERIAL: SEE NOTES	DRAW NAME: Micro-SIM Card Socket: Non-Push Type/ 6Pin 2.65H
DESIGN: Johnny	05/08'15	FINISH: SEE NOTES	FILE: SMEI-SZ1(A1)	MODEL: MICRO-SIM CONN	
CHECK: Johnny	05/08'15	P/N: SMEI-SZ1(XXT)	UNIT: mm	SHEET: 1/1	
REVIEW: David	05/08'15	REV. A1	SCALE		
APPROVED: David	05/08'15				