

REV.	ECN NO.	LOCATIONS	DESCRIPTION	DATE	DESIGN
A6			IMPROVE HOUSING QUALITY	05/10'17	Rui

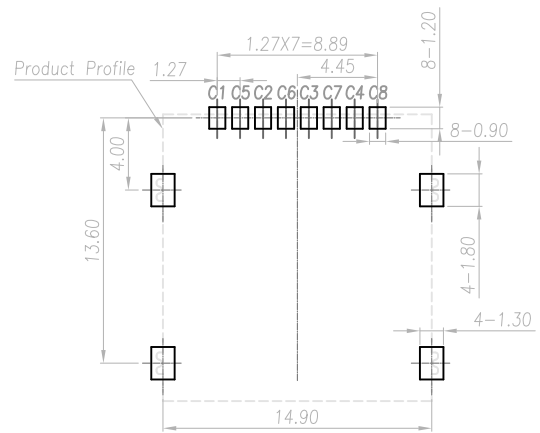
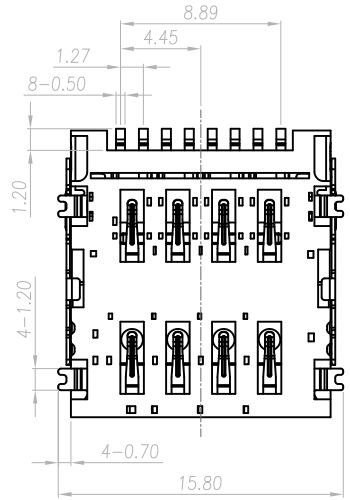
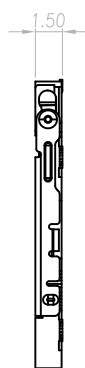
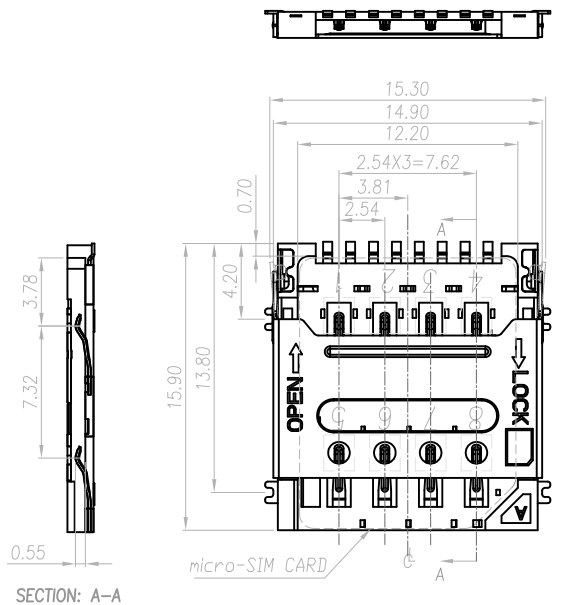
ORDERING INFORMATION

SMHI- N01 (XX T)

1 2 3
PRODUCT SERIES
 Micro-SIM CARD SOCKET
 HINGE TYPE, 1.5H

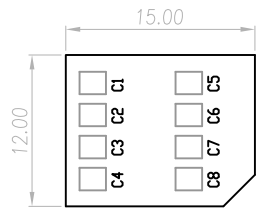
CUSTOMER DRAWING
 RoHS Compliant

ITEM NO.
GOLD PLATING
 01: G/F.
 05: 5u"
 10: 10u"
 15: 15u"
 30: 30u"



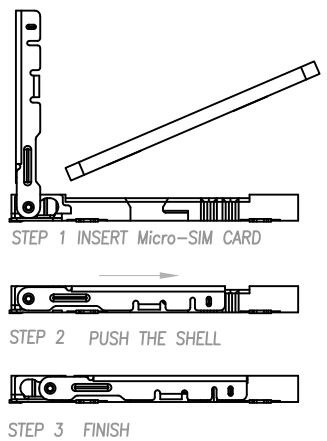
RECOMMENDED PCB LAYOUT
 GENERAY TOLERANCE ±0.05

+0.05 (U.S.L)
 (HOUSING BOTTOM)
 -0.15 (L.S.L)
 SMT SIDE
 COPLANARITY
 0.10 MAX



MICRO SIM CARD

SIM CARD	
Pin No.	NAME
C1	VCC
C2	RST
C3	CLK
C4	RESERVED
C5	GND
C6	VPP
C7	I/O
C8	RESERVED



NOTES:

- MATERIAL:**
 - HOUSING: LCP, HIGH TEMP, BLACK COLOR.
 - TERMINAL: COPPER ALLOY.
 - SHELL: SUS304.
- FINISH:**
 - TERMINAL: GOLD ON CONTACT AREA AND ON SOLDER TAILS OVER NICKEL PLATED OVERALL.
 - SHELL: GOLD ON SOLDER TAILS OVER NICKEL PLATED OVERALL.

SUNFUN		SUNFUN TECHNOLOGY LTD			
DRAW NO.	SMHI-N01(A6)	DATE	05/10'17	MATERIAL:	SEE NOTES
DESIGN:	Rui	DATE	05/10'17	FINISH:	SEE NOTES
CHECK:	Rui	DATE	05/10'17	FILE:	SMHI-N01(A6)
REVIEW:	Louis	DATE	05/10'17	P/N:	SMHI-N01(XXT)
APPROVED:	Louis	DATE	05/10'17	REV.	A6
		SCALE			
		UNIT:	mm	SHEET:	1/1
		DRAW NAME: Micro-SIM CARD SOCKET HINGE STANDARD TYPE 1.5H			
		MODEL: MICRO-SIM CARD CONN			

DIM	TOL	DIM	TOL
X.X	±0.30	X.X"	±3.0'
X.XX	±0.20	X.XX"	±2.0'
X.XXX	±0.10	X.XXX"	±1.0'