

REV.	ECN NO.	LOCATIONS	DESCRIPTION	DATE	DESIGN
A7			Update Pin Define	09/20'18	Sky

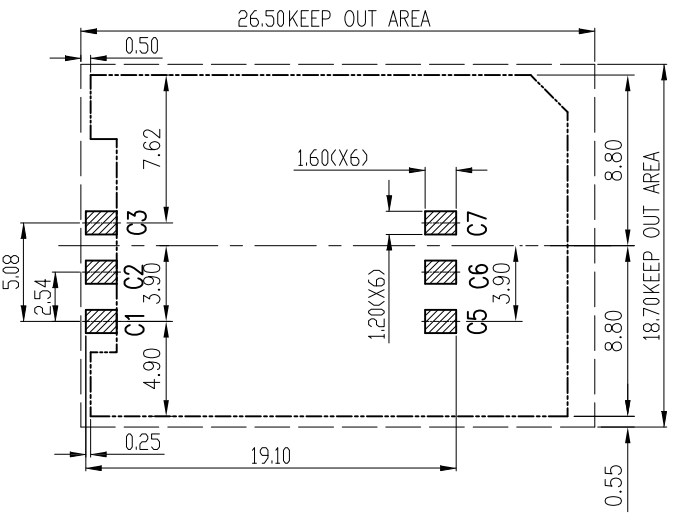
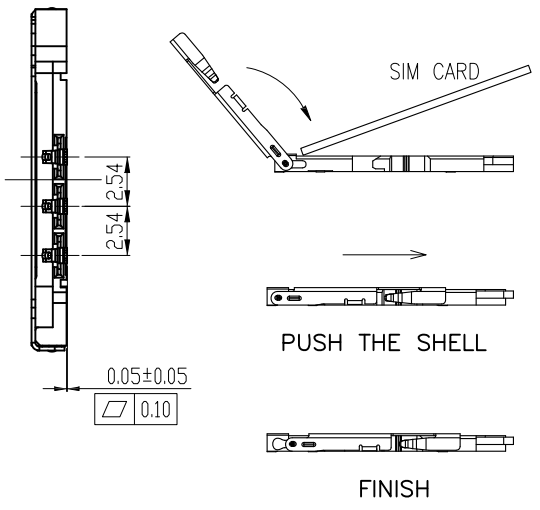
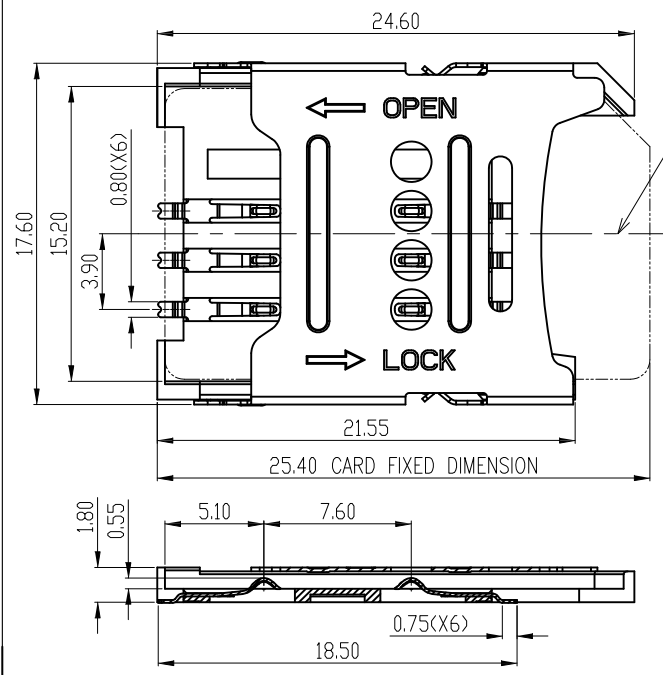
ORDERING INFORMATION

SMHS- NA1 (XX T)
 ① ② ③

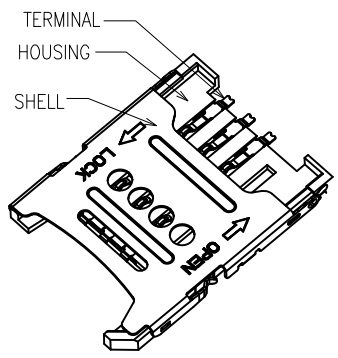
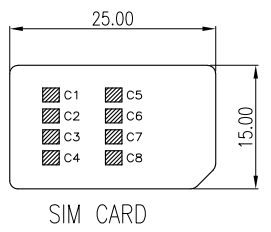
① **PRODUCT SERIES**
 SIM CARD SOCKET
 Hinge type, 1.8H
 W/ Metal cover.

CUSTOMER DRAWING
 RoHS Compliant

② **ITEM NO.**
 SMT Type.
 ③ **GOLD PLATING**
 01: G/F.
 05: 5u".
 10: 10u".
 15: 15u".



PIN NO.	PIN NAME
C 1	Supply Voltage Vcc
C 2	Reset (RST)
C 3	Clock (CLK)
C 4	N/A
C 5	Ground
C 6	Programming Voltage Vpp
C 7	I/O
C 8	N/A



- Notes:
- Material:
 - 1-1 Housing : High Temp UL94V-0. Black Color.
 - 1-2 Contact : Copper Alloy.
 - 1-3 Shell : Stainless Steel.
 - Finishes:
 - 2-1 Contact : Gold over Nickel on contact area;
Tin on solder tails over Nickel under-plated over all.
 - 2-2 Shell: N/A.

SUNFUN		SUNFUN TECHNOLOGY LTD			
DRAW NO.	SMHS-NA1(A7)	DATE	MATERIAL: SEE NOTES	DRAW NAME: SIM Card Socket- Hinge Type/ 1.8mm Height W/ Metal cover.	
DESIGN:	Sky	09/20'18	FINISH: SEE NOTES	MODEL: SIM CARD HINGE	
CHECK:	Sky	09/20'18	FILE: SMHS-NA1(A7)	UNIT: mm	SHEET: 1/1
REVIEW:	Eric	09/20'18	P/N: SMHS-NA1(XXT)	SCALE:	
APPROVED	Eric	09/20'18	REV. A7		

DIM	TOL	DIM	TOL
X.X	±0.38	X.X'	±3.0'
X.XX	±0.25	X.XX'	±2.0'
X.XXX	±0.15	X.XXX'	±1.0'