

REV.	ECN NO.	LOCATIONS	DESCRIPTION	DATE	DESIGN
A0			NEW RELEASE	10/25'17	Larry

ORDERING INFORMATION

SMPN - SN2 (XX T)

① ② ③

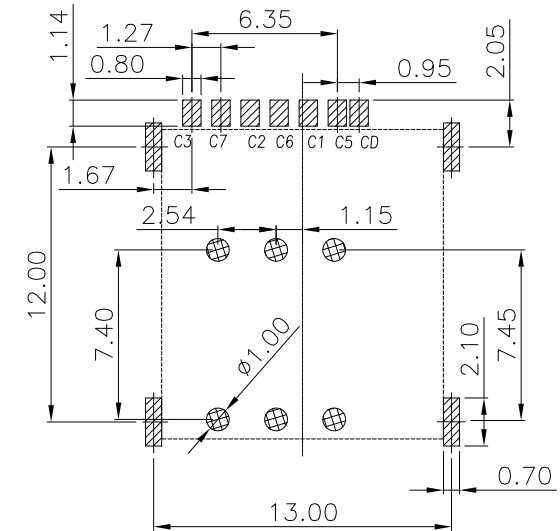
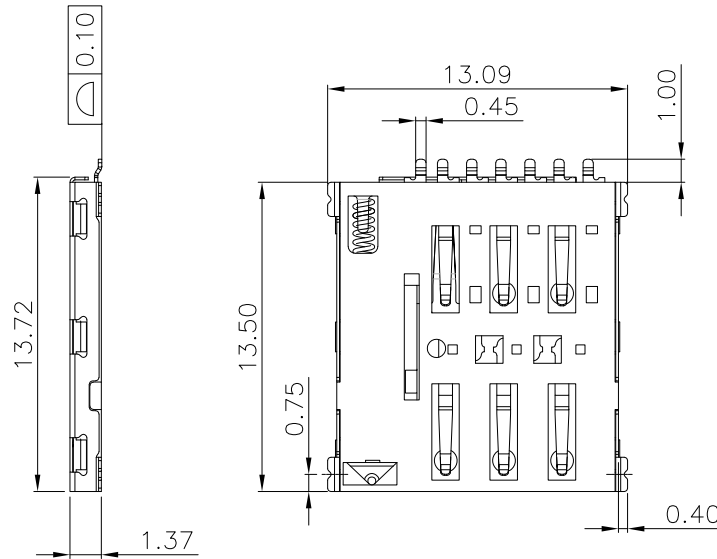
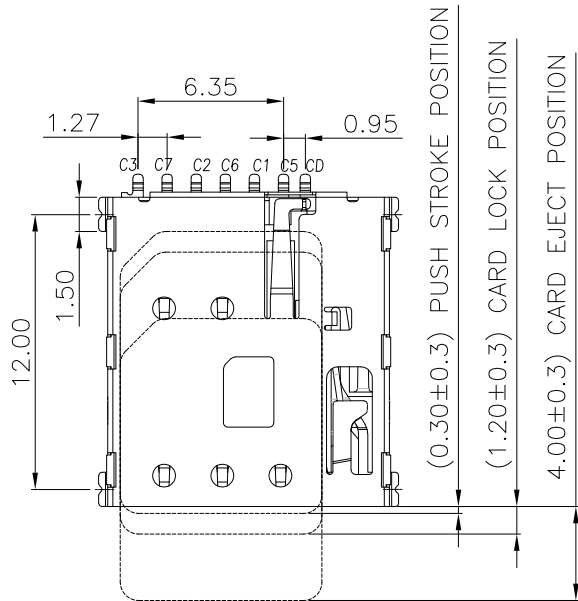
① **PRODUCT SERIES:**
Nano-SIM CARD CONN-
PUSH-PUSH TYPE.

② **ITEM NO.:**
6+1PIN/ 1.37H./ Without Post

CUSTOMER DRAWING

RoHS Compliant

③ **GOLD PLATING**
01: G/F.

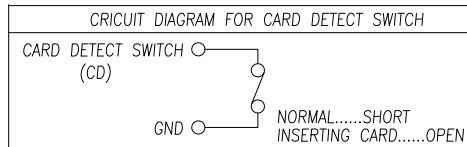


RECOMMENDED PCB LAYOUT
GENERAL TOLERANCE ± 0.05

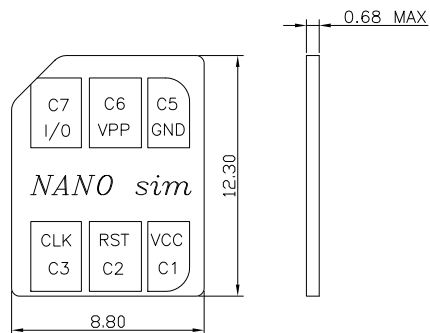
▨ PAD AREA
▩ PROHIBITED AREA

NOTES:

- MATERIAL:**
1-1. HOUSING: LCP, HIGH TEMP, UL94V-0 ,BLACK COLOR.
1-2. TERMINAL: COPPER ALLOY.
1-3. SHELL: STAINLESS STEEL.
- FINISH:**
2-1. TERMINAL: GOLD ON CONTACT AREA AND G/F ON SOLDER-TAILS OVER NICKEL PLATED OVERALL.



Nano-SIM Card



SIM pin Assignment	
PIN#	Name
C1	VCC
C2	RST
C3	CLK
C5	GND
C6	VPP
C7	I/O

DIM	TOL
X.X	± 0.30
X.XX	± 0.20
X.XXX	± 0.10

SUNFUN		SUNFUN TECHNOLOGY LTD						
		DRAW NO.	SMPN-SN2(A0)	DATE	10/25'17	MATERIAL:	SEE NOTES	DRAW NAME:
DESIGN:	Larry	10/25'17	FINISH:	SEE NOTES	FILE:	SMPN-SN2(A0)	MODEL:	NANO-SIM CONN
CHECK:	Larry	10/25'17	P/N:	SMPN-SN2(XXT)	REV.	A0	SCALE	
REVIEW:	Ziv	10/25'17	UNIT:	mm	SHEET:	1/1		
APPROVED	Ziv	10/25'17						