

REV.	ECN NO.	LOCATIONS	DESCRIPTION	DATE	DESIGN
A1			ADD SOME DIMENSION	03/13'17	David

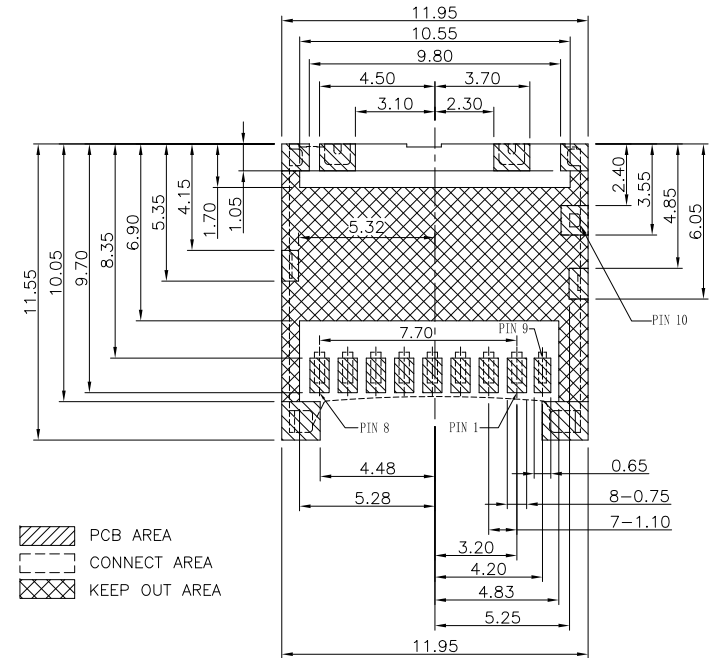
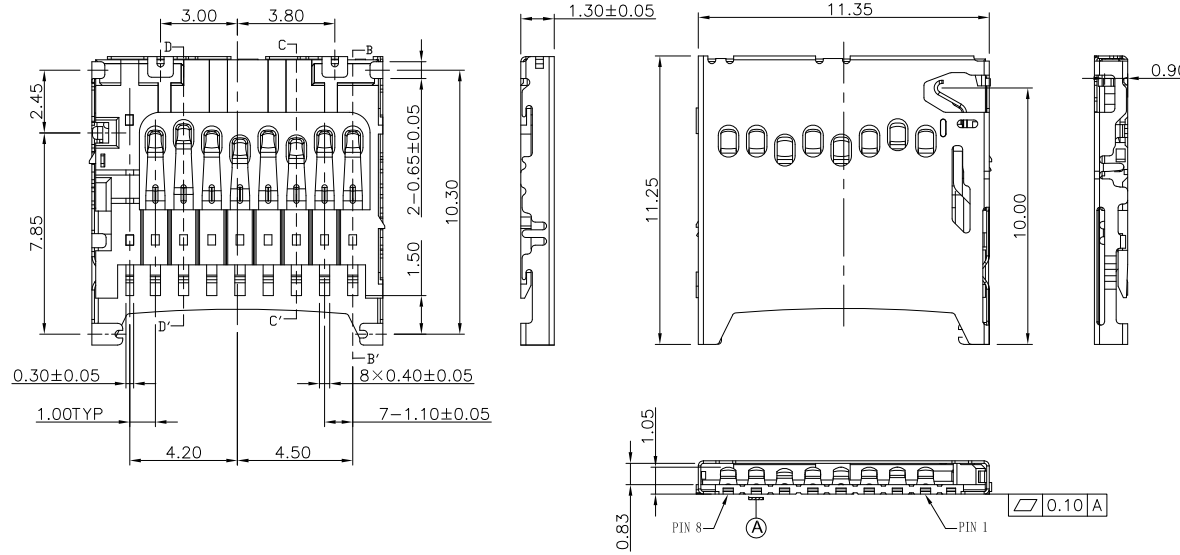
ORDERING INFORMATION

TFES- E01 (XX T)

- ① **PRODUCT SERIES**
 Micro-SD Card Socket –
 Easy Normal Type, 1.30H
 With switch pin(Normal close).

CUSTOMER DRAWING
RoHS Compliant

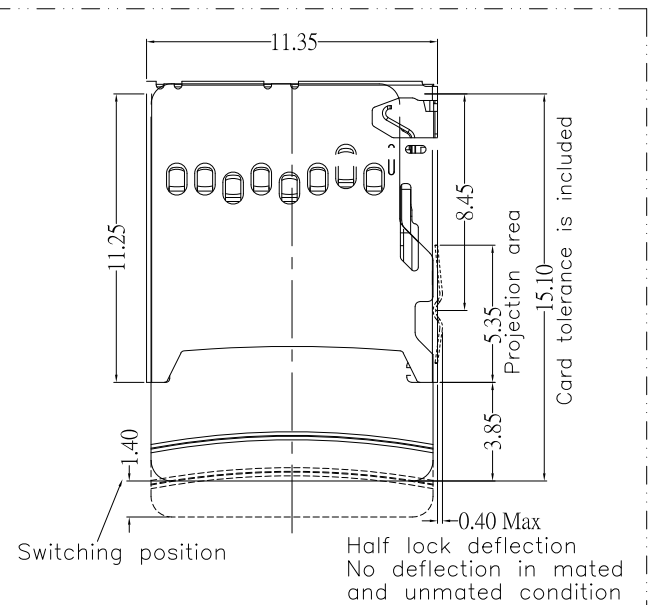
- ② **ITEM NO.**
 01: G/F..
 05: 5u"..
 10: 10u"..
 15: 15u"..
 30: 30"..



- PCB AREA
- CONNECT AREA
- KEEP OUT AREA

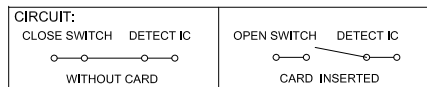
NOTES:

- 1.MATERIAL:
 HOUSING: HIGH TEMPERATURE THERMOPLASTIC
 UL94V-0, COLOR:BLACK.
 CONTACT: COPPER ALLOYS.
 SHELL: STAINLESS STEEL.
- 2.PLATING:
 CONTACT: GOLD PLATED ON CONTACT AREA OVER NICKEL.
 GOLD ON SOLDER TAIL OVER NICKEL.
 SHELL: GOLD ON SOLDER TAIL OVER NICKEL.



PIN NO.	NAME
P1	DAT2
P2	CD/DAT3
P3	CMD
P4	VDD
P5	CLK
P6	VSS
P7	DAT0
P8	DAT1
P9	C/D
P10	

DIM	TOL
X.X'	±3.0'
X.XX'	±2.0'
X.XXX'	±1.0'



SUNFUN		SUNFUN TECHNOLOGY LTD			
DRAW NO.	TFES-E01(A1)	DATE	03/13'17	MATERIAL:	SEE NOTES
DESIGN:	Lee	FINISH:	SEE NOTES	DRAW NAME:	Micro-SD Card Socket – Easy 1.30H Normal Type With Switch Pin (Normal close)
CHECK:	Lee	FILE:	TFES-E01(A1)	MODEL:	T-FLASH EASY TYPE
REVIEW:	Zoey	P/N:	TFES-E01(XXT)	UNIT:	mm
APPROVED	Zoey	REV.	A1	SHEET:	1/1
		SCALE			