

REV.	ECN NO.	LOCATIONS	DESCRIPTION	DATE	DESIGN
A1			add spec notes	09/05'17	Davis

**ORDERING INFORMATION**

**TFES- E02 (XX T)**

- ① ② ③

**① PRODUCT SERIES**

Micro-SD Card Socket -  
Easy Normal Type, 1.30H  
Without Switch Pin.

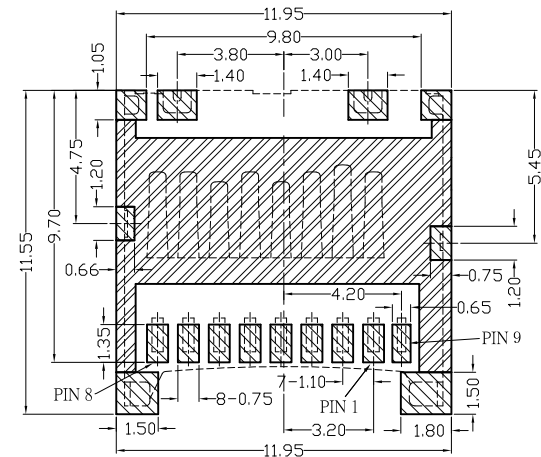
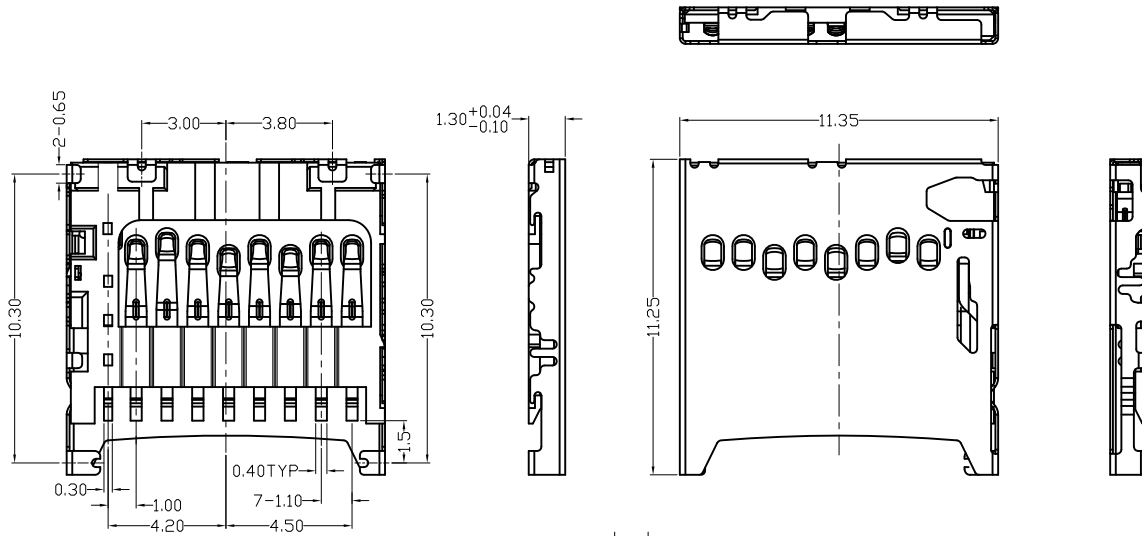
**② ITEM NO.**

**③ GOLD PLATING**

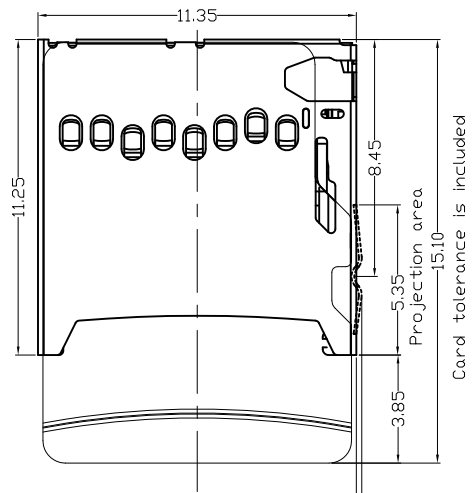
- 01: G/F.
- 05: 5u"
- 10: 10u"
- 15: 15u"
- 30: 30"

**CUSTOMER DRAWING**

**RoHS Compliant**



- PCB LAYOUT(TOLERANCES ±0.05)
- This area can not be printed circuit(Part Mounting Side)



Half lock deflection  
No deflection in mated  
and unmated condition

PIN NO.	NAME
P1	DAT2
P2	CD/DAT3
P3	CMD
P4	VDD
P5	CLK
P6	VSS
P7	DATO
P8	DAT1

**NOTES:**

- 1.MATERIAL:**  
HOUSING: HIGH TEMP, LCP, UL94V-0, BLACK COLOR.  
CONTACT: COPPER ALLOYS, C5210.  
SHELL: STAINLESS STEEL, SUS304.
- 2.PLATING:**  
CONTACT: GOLD PLATED ON CONTACT AREA OVER NICKEL. GOLD ON SOLDER TAIL OVER NICKEL.  
SHELL: GOLD ON SOLDER TAIL OVER NICKEL.

**3.SPECIFICATIONS:**

- 3.1. Current rating: 0.5A Max.
- 3.2. Voltage rating: 10V AC/ DC Max.
- 3.3. Dielectric with standing voltage: 500V(AC) for 1min.
- 3.4. Contact Resistance: 100mΩ Max.
- 3.5. Insulation Resistance: 1,000MΩ Min.

DIM	TOL	DIM	TOL
X.X	±0.30	X.X'	±3.0'
X.XX	±0.20	X.XX'	±2.0'
X.XXX	±0.10	X.XXX'	±1.0'

<b>SUNFUN</b>		<b>SUNFUN TECHNOLOGY LTD</b>			
DRAW NO.	TFES-E02(A1)	DATE	MATERIAL: SEE NOTES	DRAW NAME:	
DESIGN:	Davis	09/05'17	FINISH: SEE NOTES	Micro-SD Card Socket - Easy 1.30H Normal Type/ No Switch Pin.	
CHECK:	Davis	09/05'17	FILE: TFES-E02(A1)	MODEL: T-FLASH EASY TYPE	
REVIEW:	Jason	09/05'17	P/N: TFES-E02(XXT)	UNIT:	SHEET: 1/1
APPROVED	Jason	09/05'17	REV. A1	SCALE	