

REV.	ECN NO.	LOCATIONS	DESCRIPTION	DATE	DESIGN
A2			Revised some details	02/05'18	Larry

ORDERING INFORMATION

TFHS - N01 (XX T)

① ② ③

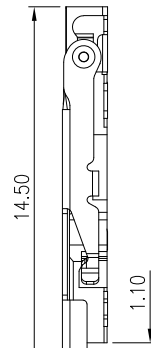
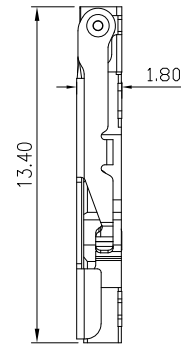
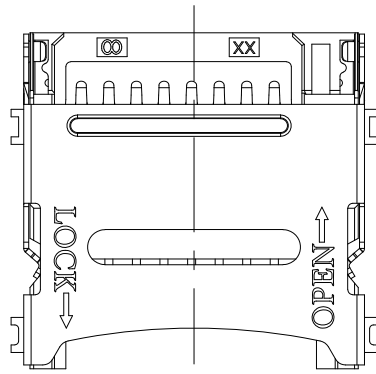
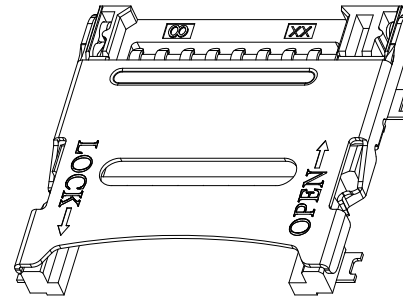
① **PRODUCT SERIES:**
Micro-SD Card Connector,
Hinge Normal Type.

CUSTOMER DRAWING

RoHS Compliant

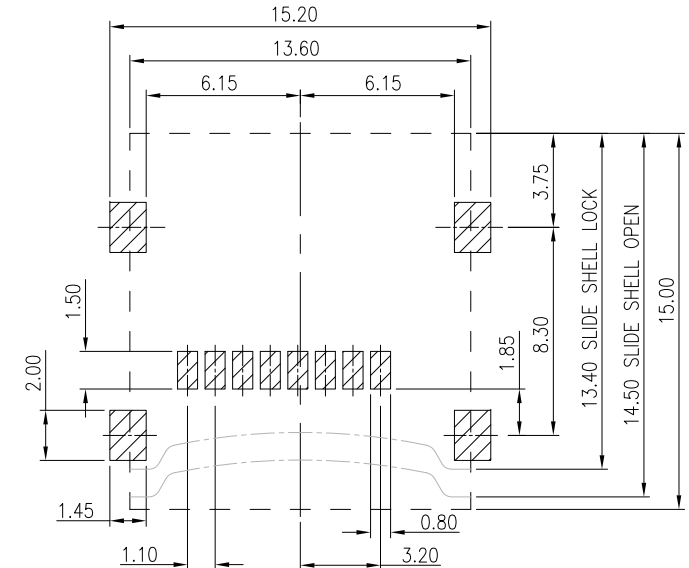
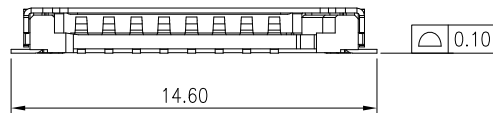
② **ITEM NO.:**
SMT Type, 1.80H
③ **GOLD PLATING:**
01: G/F.

3D VIEW



SLIDE SHELL
OPEN

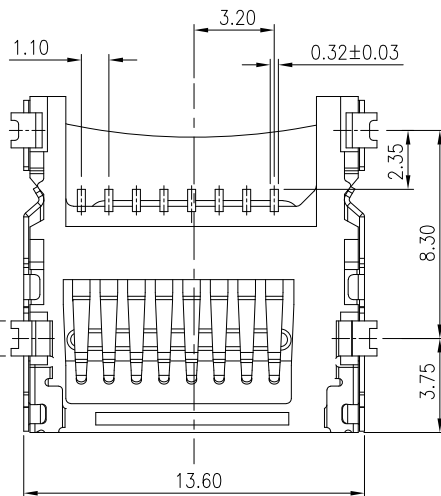
SLIDE SHELL
LOCK



RECOMMEND PCB LAYOUT
TOLERANCE: ±0.05(TOP VIEW)

NOTES:

- MATERIAL:**
HOUSING: HIGH TEMP, LCP, UL94V-0, BLACK COLOR.
CONTACT: COPPER ALLOYS.
SHELL: STAINLESS STEEL.
- PLATING:**
CONTACT: GOLD PLATED ON CONTACT AREA OVER NICKEL. GOLD ON SOLDER TAIL OVER NICKEL.
SHELL: GOLD ON SOLDER TAIL OVER NICKEL.



PIN NO.	NAME
1	DAT2
2	CD/DAT3
3	CMD
4	VDD
5	CLX
6	VSS
7	DATO
8	DAT1

DIM	TOL
x.x	±0.30
x.xx	±0.20
x.xxx	±0.10

SUNFUN		SUNFUN TECHNOLOGY LTD			
DRAW NO.	TFHS-N01(A2)	DATE	MATERIAL: SEE NOTES	DRAW NAME:	
DESIGN:	Larry	02/05'18	FINISH: SEE NOTES	Micro-SD Card Connector, Hinge Normal Type, SMT TYPE 1.80H	
CHECK:	Larry	02/05'18	FILE: TFHS-N01(A2)	MODEL: Micro-SD Connector	
REVIEW:	Ziv	02/05'18	P/N: TFHS-N01(XXT)	UNIT:	SHEET:
APPROVED	Ziv	02/05'18	REV. A2	mm	1/1
			SCALE		