

REV.	ECN NO.	LOCATIONS	DESCRIPTION	DATE	DESIGN
A1			UPDATE SOME DETAILS.	12/18'09	Jack

ORDERING INFORMATION

TFHS- N02 (XXT)

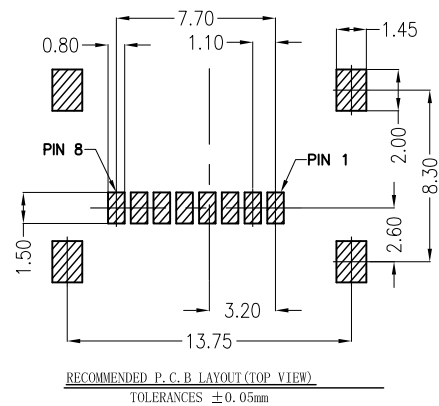
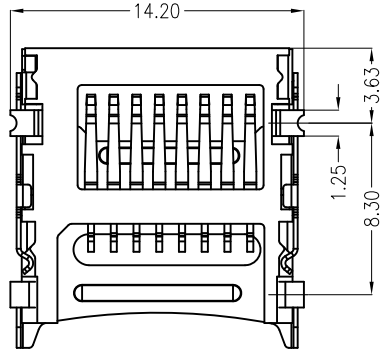
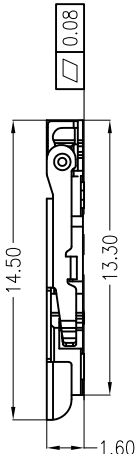
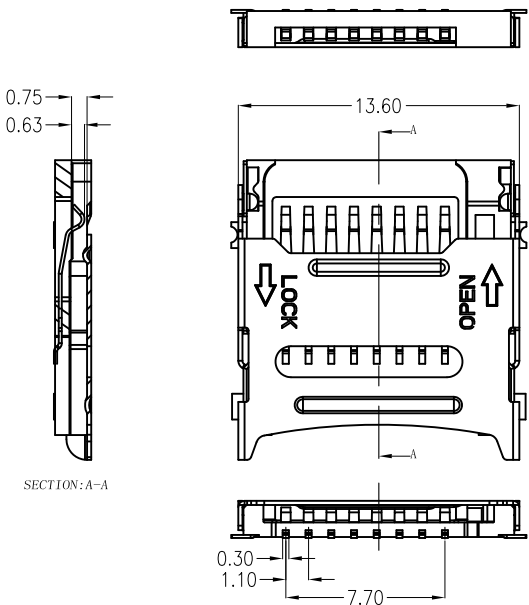
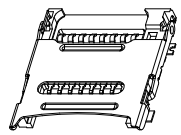
① ② ③

① **PRODUCT SERIES**
T-Flash Connector
Hinge Standard Type

CUSTOMER DRAWING

RoHS Compliant

② **ITEM NO.**
SMT Type 1.6H.
③ **REEL PACKAGE & GOLD PLATING**
01: Gold Flash.
03: 3u".
05: 5u".
10: 10u".
15: 15u".



PIN NO.	PIN Assignmeng.
PIN1	DAT2
PIN2	CD/DAT3
PIN3	CMD
PIN4	VDD
PIN5	CLK
PIN6	Uss2
PIN7	DAT0
PIN8	DAT1

DIM	TOL	DIM	TOL
X.X	±0.30	X.X'	±3.0'
X.XX	±0.20	X.XX'	±2.0'
X.XXX	±0.10	X.XXX'	±1.0'

- Notes:
- Material:
 - 1-1 Housing : High Temp UL94V-0. Black Color.
 - 1-2 Contact : Copper Alloy.
 - 1-3 Shell : Stainless Steel.
 - Finishes:
 - 2-1 Contact : Gold plated on contact area over Nickel plated over all.
Tin Plating on Solder Tail.
 - 2-2 Shell: N/A.

SUNFUN		SUNFUN TECHNOLOGY LTD			
DRAW NO.	TFHS-N02(A1)	DATE	MATERIAL:	SEE NOTES	DRAW NAME:
DESIGN:	Jack	12/18'09	FINISH:	SEE NOTES	T-Flash CONNECTOR
CHECK:	Jack	12/18'09	FILE:	TFHS-N02(A1)	HINGE STANDARD TYPE
REVIEW:	Jeff	12/18'09	P/N:	TFHS-N02(XXT)	SMT 1.6H TYPE.
APPROVED	Jeff	12/18'09	REV.	A1	MODEL: T-FLASH HINGE 1.6H
		SCALE	UNIT:	SHEET:	
			mm	1/1	