

REV.	ECN NO.	LOCATIONS	DESCRIPTION	DATE	DESIGN
A4			UPDATE DEMENSION OF SHELL	12/11'18	Ken

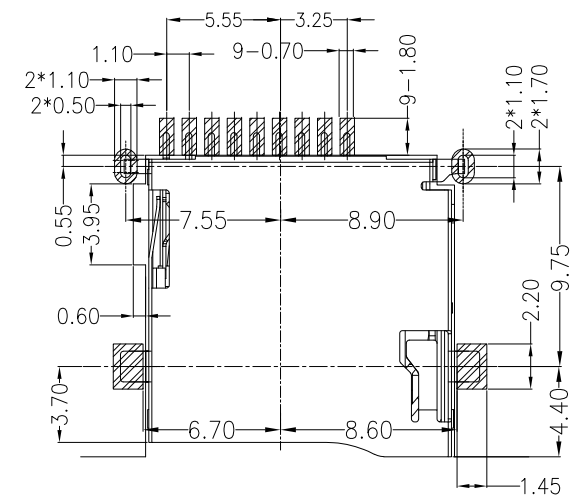
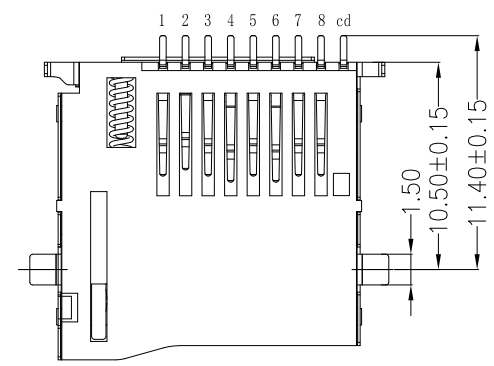
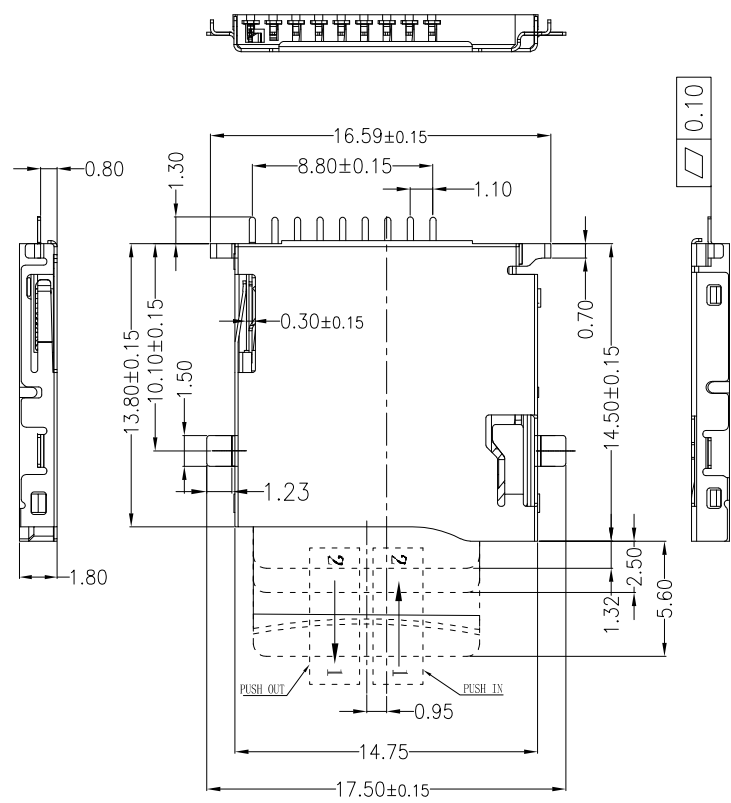
ORDERING INFORMATION

TFPS- K07 (XX T)
 ① ② ③

① **PRODUCT SERIES**
 T-Flash Connector
 Push-Push Standard Sink 0.8 Type

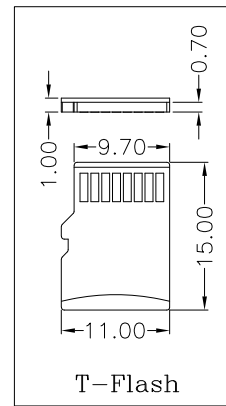
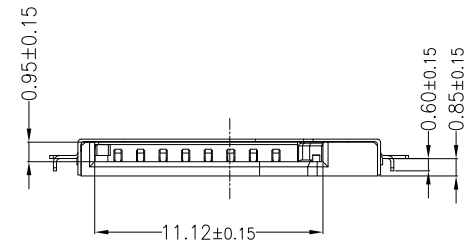
CUSTOMER DRAWING
RoHS Compliant

② **ITEM NO.**
 ③ **GOLD PLATING**
 01: G/F.
 05: 5u".
 10: 10u".
 15: 15u".
 30: 30u".

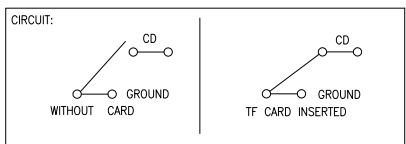


RECOMMENDED P.C.B LAYOUT
COMPONENT SIDE VIEW (TOLERANCE: +/-0.05)

NOTES:
 1.MATERIAL:
 HOUSING: HIGH TEMPERATURE THERMOPLASTIC
 UL94V_0,COLOR:BLACK.
 CONTACT: COPPER ALLOYS.
 COVER: STAINLESS STEEL.
 2.PLATING:
 UNDERPLATE: NICKEL.
 CONTACT AREA: GOLD OVER NICKEL.
 SOLDER AREA: TIN OVER NICKEL.



PIN NO.	NAME	YTYPE	DESCRIPTION
1	DAT2	I/O/PP	DATE LINE(BIT2)
2	CD/DAT3	I/O/PP	CARD DETECT DATE LIN(BIT3)
3	CMD	PP	COMMAND RESPONSE
4	VDD	S	SUPPLY VOLTAGE
5	CLX	I	CLOCK
6	VSS	S	SUPPLY VOLTAGE GROUND
7	DATO	I/O/PP	DATE LINE(BITO)
8	DAT1	I/O/PP	DATE LINE(DIT1)



DIM	TOL	DIM	TOL
X.X	±0.30	X.X'	±3.0'
X.XX	±0.20	X.XX'	±2.0'
X.XXX	±0.10	X.XXX'	±1.0'

SUNFUN		SUNFUN TECHNOLOGY LTD			
DRAW NO.	TFPS-K07(A4)	DATE	12/11'18	MATERIAL:	SEE NOTES
DESIGN:	Ken	FINISH:	SEE NOTES	DRAW NAME:	Micro-SD PP CONNECTOR
CHECK:	Ken	FILE:	TFPS-K07(A4)		SINK 0.8/ 8+1PIN
REVIEW:	Jacson	P/N:	TFPS-K07(XXT)		SMT+2DIP TYPE
APPROVED	Jacson	REV. A4	SCALE	MODEL:	T-FLASH PP CONN
				UNIT:	mm
				SHEET:	1/1