

REV.	ECN NO.	LOCATIONS	DESCRIPTION	DATE	DESIGN
A8			UPDATE SOME DESCRIPTIONS	05/26'19	Kyle

ORDERING INFORMATION

TFPS- N02 (XXT)

- ① ② ③

① PRODUCT SERIES

Micro-SD connector,
push-push standard type.

CUSTOMER DRAWING

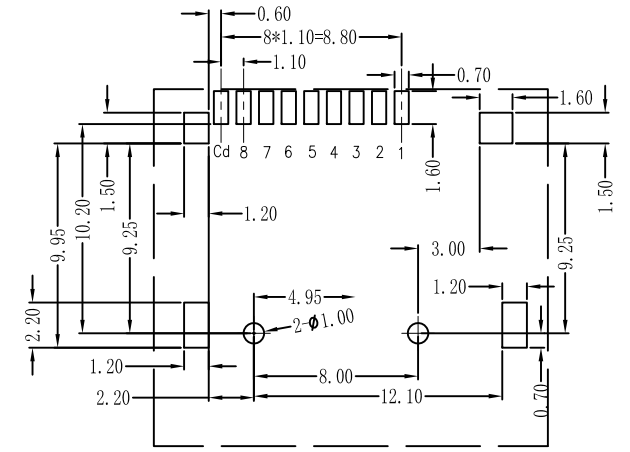
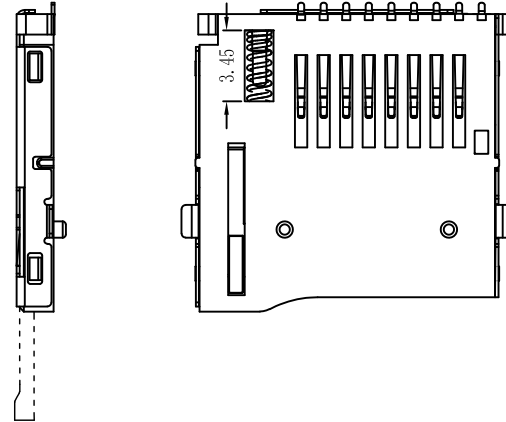
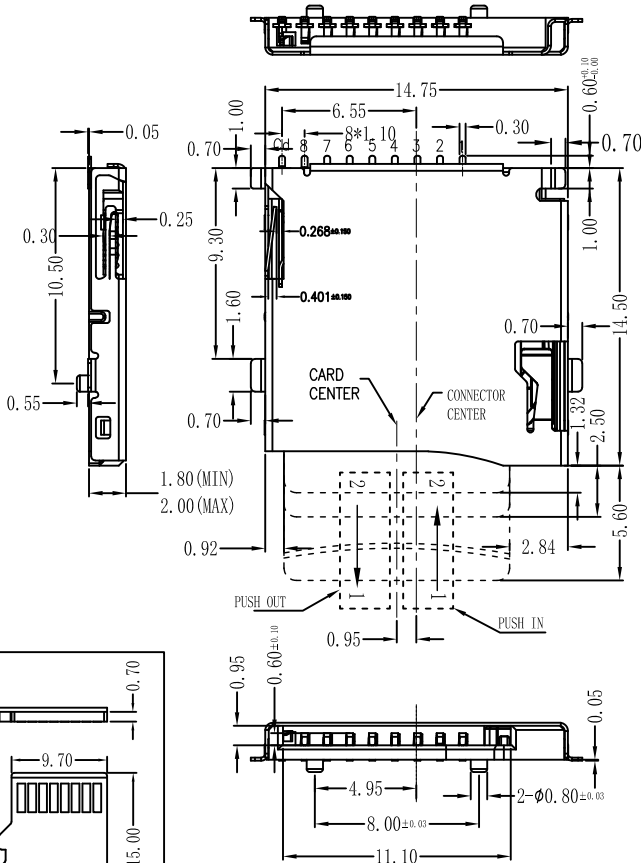
RoHS Compliant

② ITEM NO.

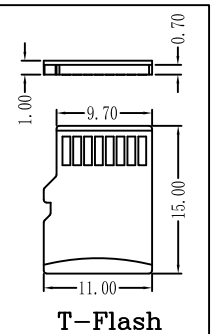
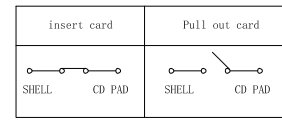
8+1PIN, 1.8mm Height.

③ GOLD PLATING

01: G/F..



RECOMMENDED P.C.B HOLE LAYOUT
COMPONENT SIDE VIEW(TOLERANCE: +/-0.05)



T-Flash

NOTES:

- MATERIAL:
Housing: High TEMP plastic, UL 94V-0.
Terminal: Copper Alloy, C5191.
Shell: Stainless Steel.
- PLATING:
Terminal: Nickel underplated overall. Tin plated on solder tails. Gold plated on contact area.
Shell: Nickel underplated overall.

PIN NO.	NAME	YTYPE	DESCRIPTION
1	DAT2	I/O/PP	DATE LINE(BIT2)
2	CD/DAT3	I/O/PP	CARD DETECT DATE LIN(BIT3)
3	CMD	PP	COMMAND RESPONSE
4	VDD	S	SUPPLY VOLTAGE
5	CLX	I	CLOCK
6	VSS	S	SUPPLY VOLTAGE GROUND
7	DATO	I/O/PP	DATE LINE(BIT0)
8	DAT1	I/O/PP	DATE LINE(DIT1)

DIM	TOL	DIM	TOL
X.X	±0.30	X.X'	±3.0'
X.XX	±0.20	X.XX'	±2.0'
X.XXX	±0.10	X.XXX'	±1.0'

SUNFUN		SUNFUN TECHNOLOGY LTD			
DRAW NO.	TFPS-N02(A8)	DATE	05/26'19	MATERIAL:	SEE NOTES
DESIGN:	Kyle	FINISH:	SEE NOTES	DRAW NAME:	MICRO-SD CONNECTOR PUSH-PUSH STANDARD TYPE 8+1PIN, STACKING HEIGHT 1.8MM
CHECK:	Kyle	FILE:	TFPS-N02(A8)	MODEL:	T-FLASH PP CONN
REVIEW:	Jim	P/N:	TFPS-N02(XXT)	UNIT:	mm
APPROVED	Jim	REV. A8	SCALE	SHEET:	1/1