

REV.	ECN NO.	LOCATIONS	DESCRIPTION	DATE	DESIGN
A0			NEW RELEASE	10/27'20	MH

ORDERING INFORMATION

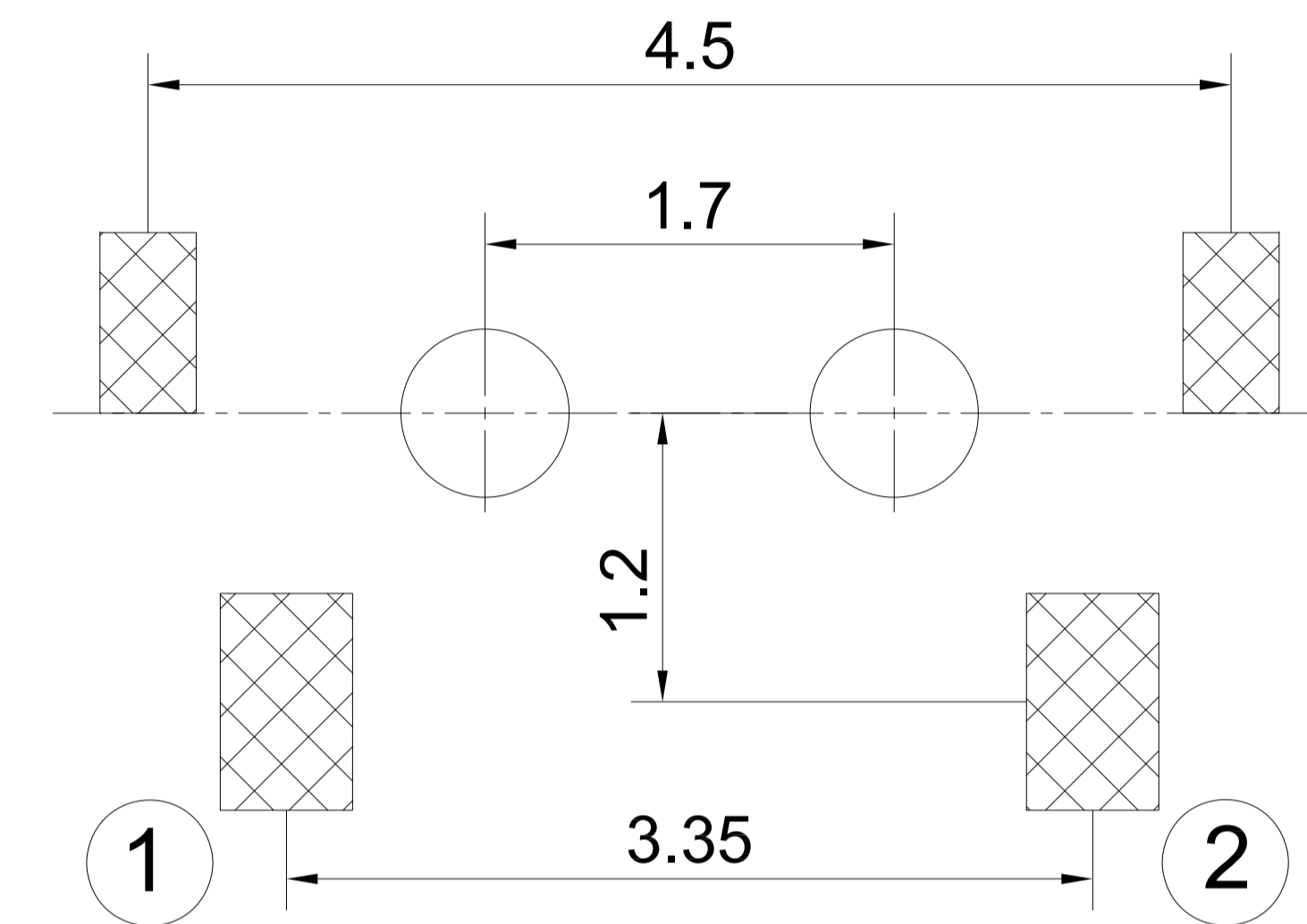
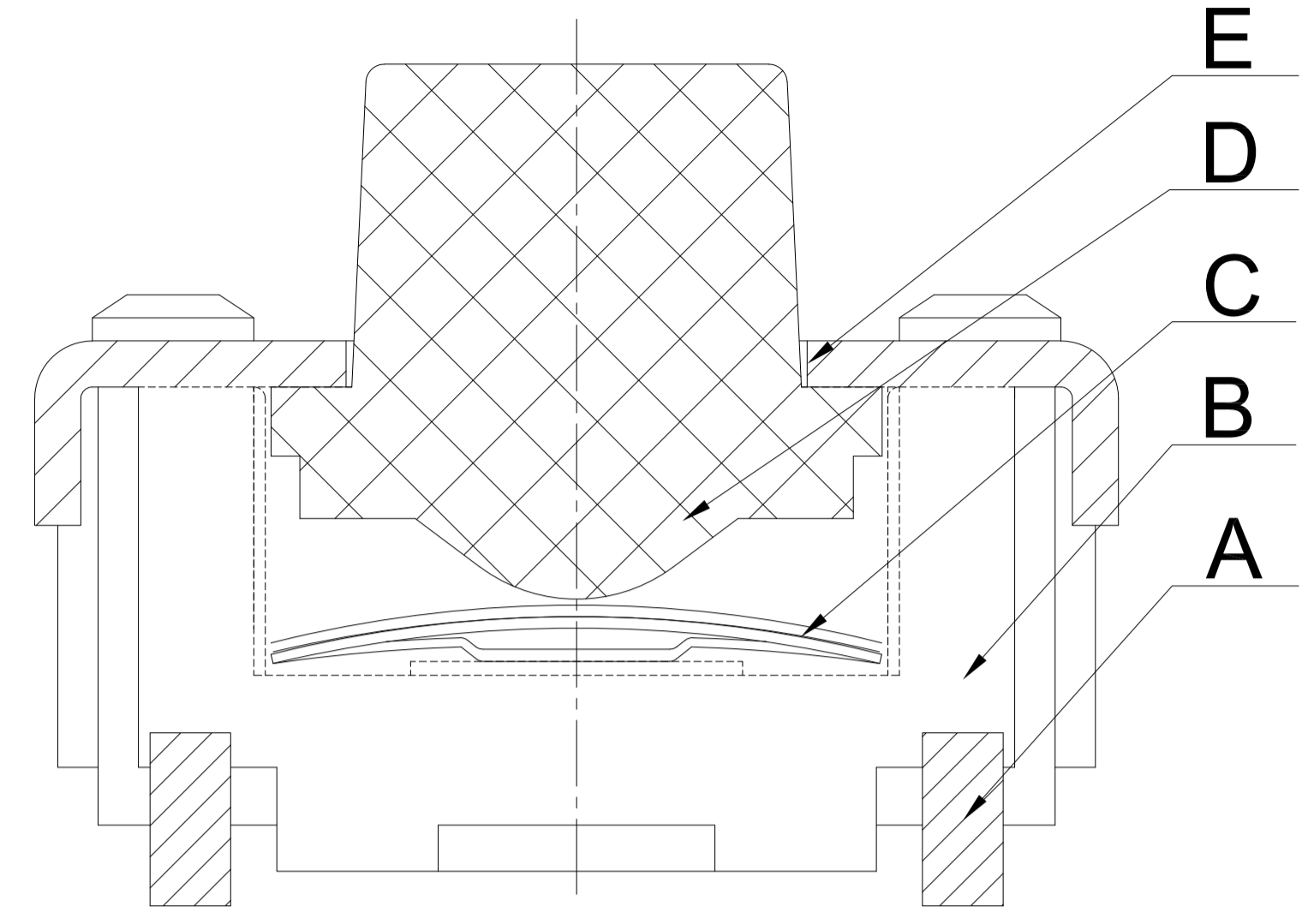
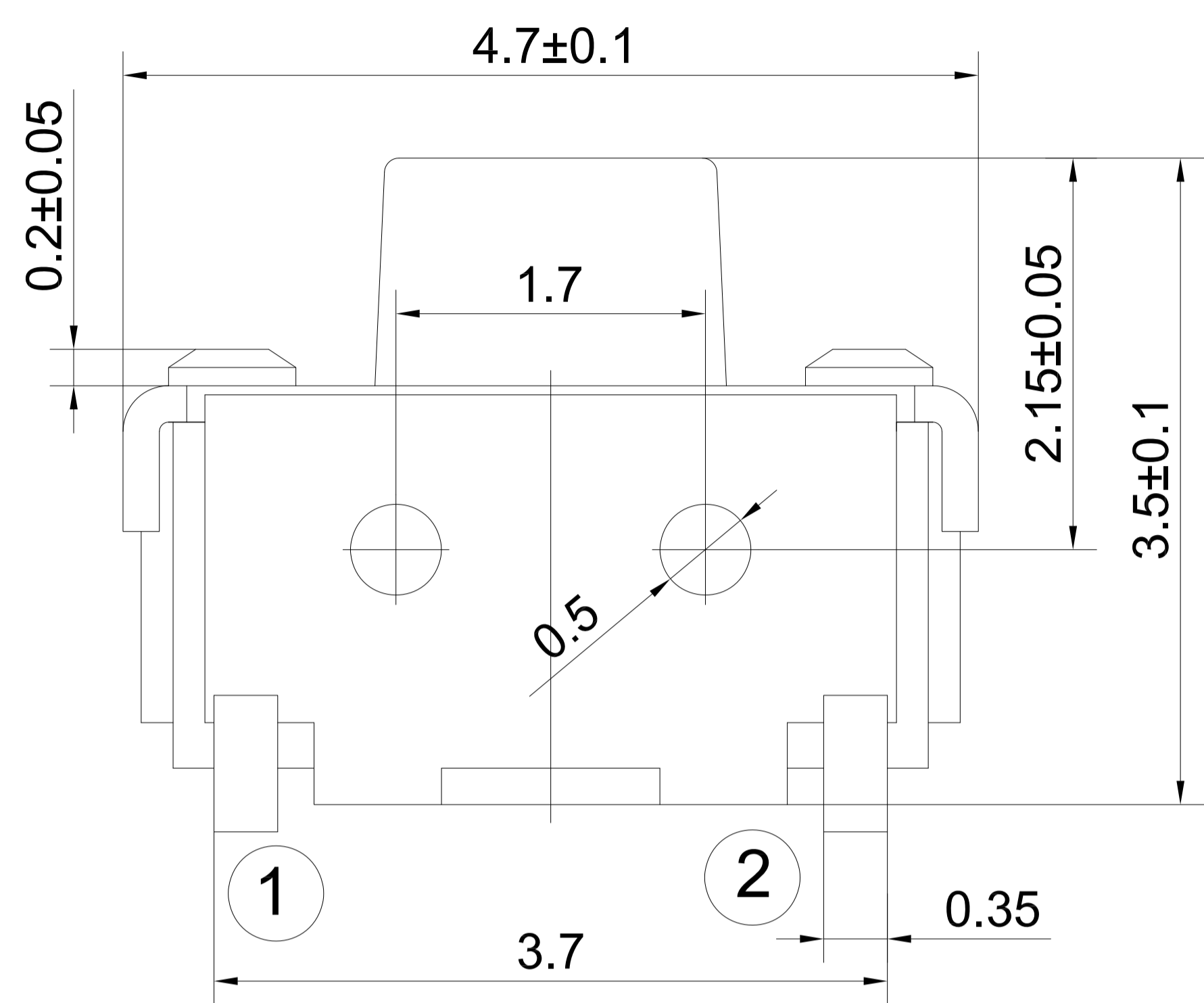
TSR 003- A035

- ① ② ③

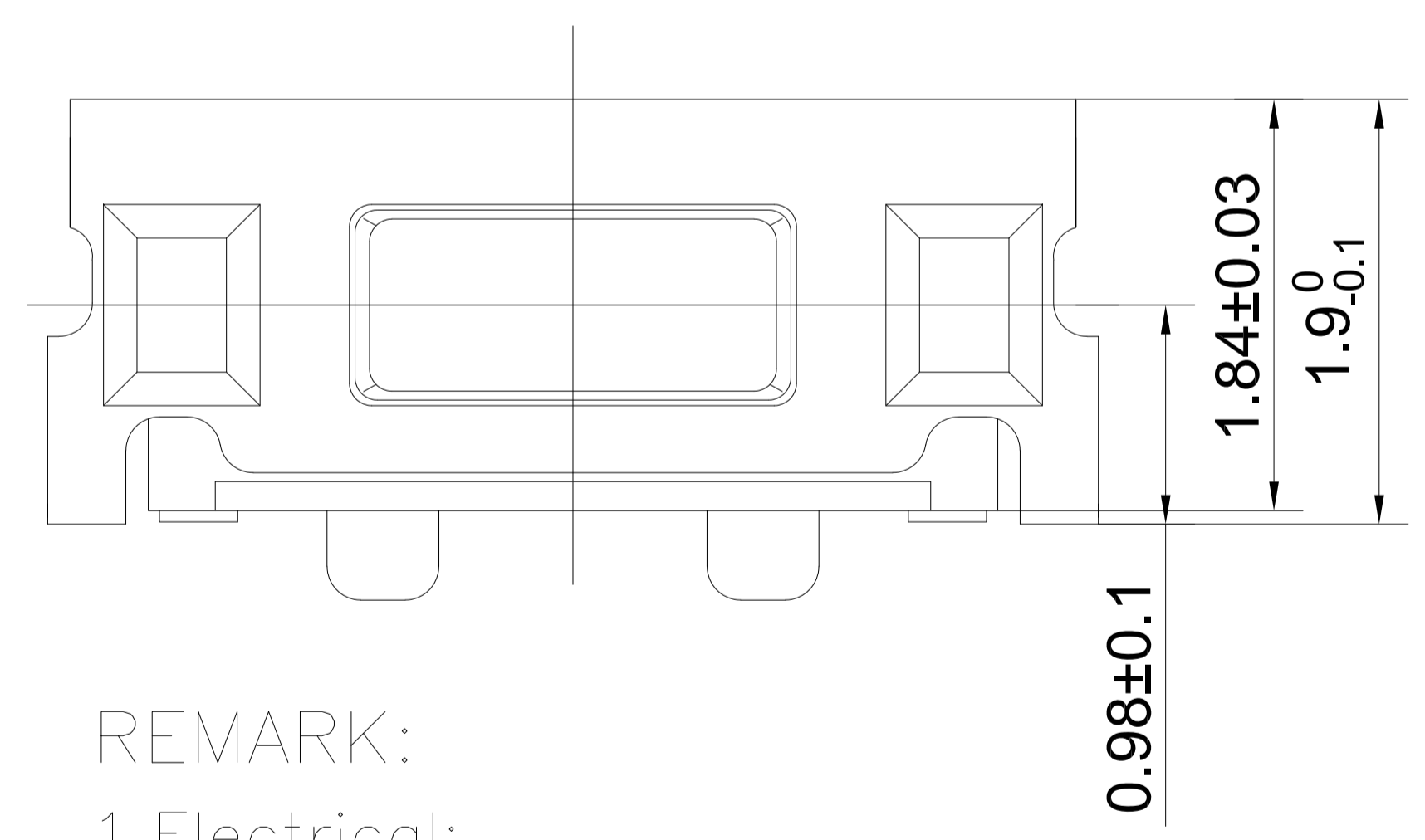
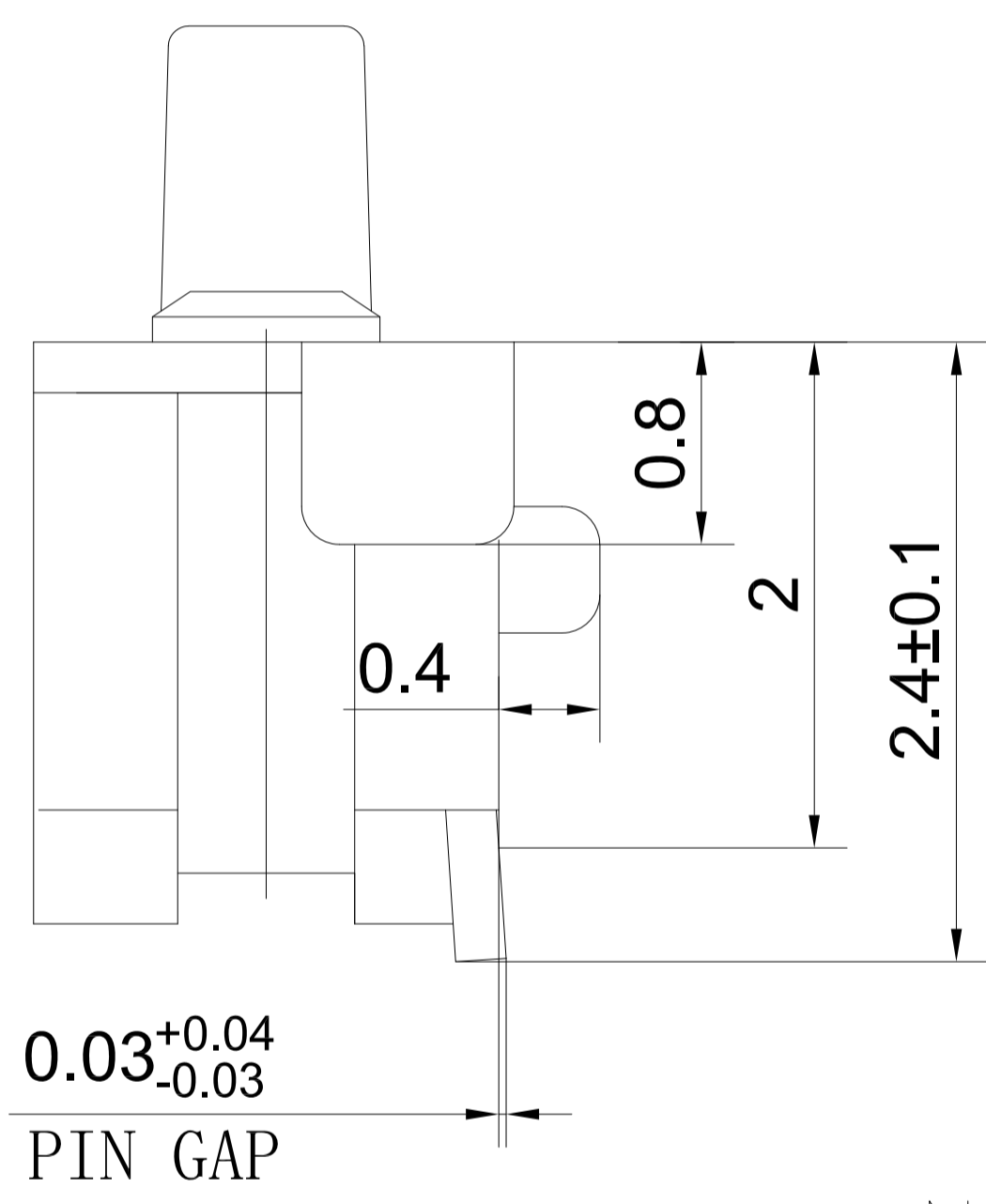
- ① PRODUCT SERIES.
- ② R: RIGHT ANGLE TYPE.
- ③ ITEM NO.:

Height 1.90mm with post type.

CUSTOMER DRAWING
RoHS Compliant



RECOMMENDED PCB LAYOUT(TOP VIEW)
DEFAULT TOLERANCE:±0.05



REMARK:

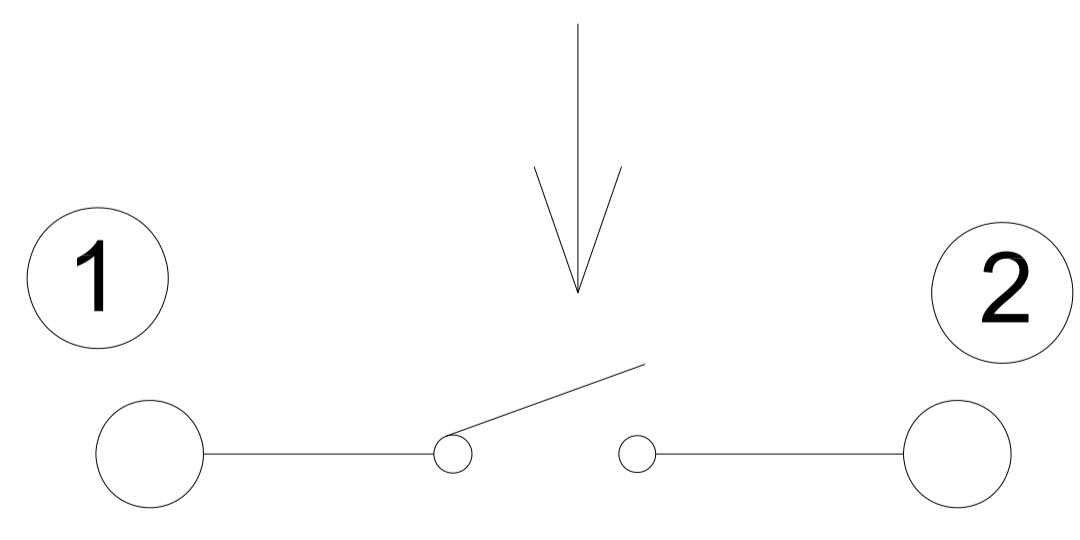
1.Electrical:

- 1-1. Current Rating : 50mA Max.
- 1-2. Voltage Rating : 12V DC.
- 1-3. Ambient Temperature Range : -30°C~+85°C.
- 1-4. Contact resistance : 500mΩ Max.
- 1-5. Dielectric strength : 100V AC.
- 1-6. Insulation resistance : 100MΩ Min.

2.Mechanical:

- 2-1 Travel : 0.18 ±0.05mm.
- 2-2. Durability: 50,000 cycles(180±50gf).

Circuit Diagram



DIM	TOL	DIM	TOL
X.X	±0.30	X.X'	±3.0'
X.XX	±0.20	X.XX'	±2.0'
X.XXX	±0.10	X.XXX'	±1.0'

NOTES:

ITEM	Parts	QTY	Material	plated/ color
A	TERMINAL	1	C5191	Ag
B	Housing	1	LCP	white color
C	Spring	2	Stainless Steel	Ag(one side)
D	Button	1	LCP	black color
E	Cover	1	C5191	Ag

SUNFUN **SUNFUN TECHNOLOGY LTD**

DRAW NO.	TSR003-A035(A0)	DATE	10/27'20	MATERIAL:	SEE NOTES	DRAW NAME:	Tack Switch connector - RA type Height 1.90mm with guide post.		
DESIGN:	MH	10/27'20	CHECK:	MH	10/27'20	FINISH:	SEE NOTES		
REVIEW:	JACK	10/27'20	FILE:	TSR003-A035(A0)	P/N:	TRS003-A035	MODEL:	TACK SWITCH CONN	
APPROVED	JACK	10/27'20	REV.	A0	SCALE	UNIT:	mm	SHEET:	1/1

