

REV.	ECN NO.	LOCATIONS	DESCRIPTION	DATE	DESIGN
A0			NEW RELEASE	06/06'21	Mark

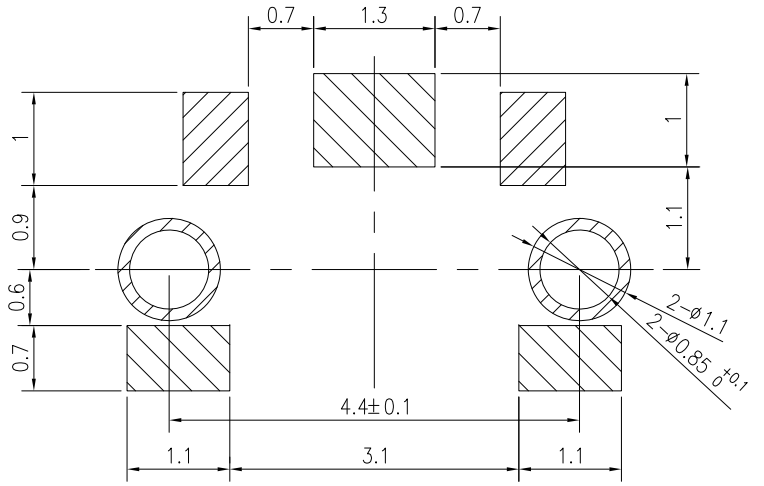
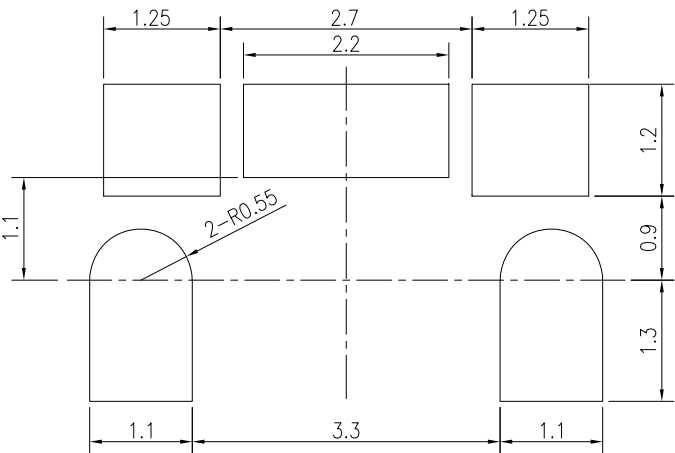
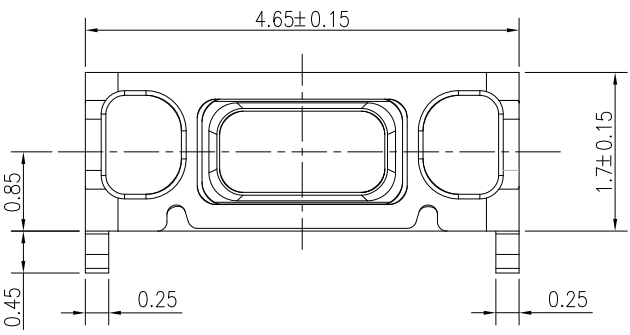
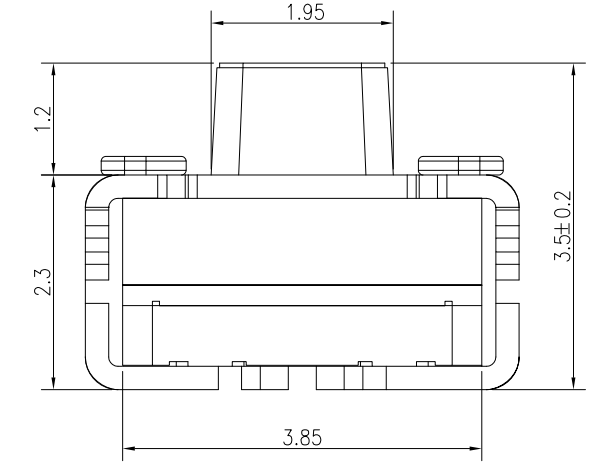
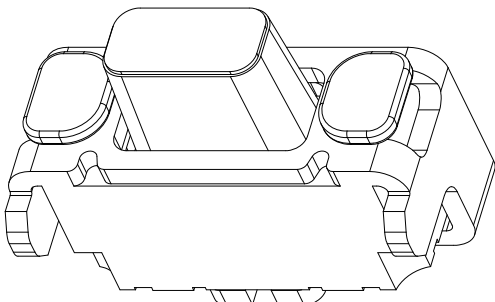
ORDERING INFORMATION

CUSTOMER DRAWING
RoHS Compliant

TS W 001 - 10N2

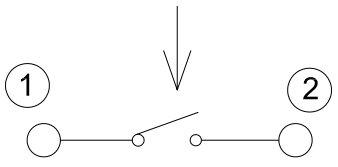
- ① PRODUCT SERIES.
- ② W: WATERPROOF TYPE.
- ③ ITEM NO.:
Height 1.70mm with 2 dip.
Waterproof IP57

3D VIEW



Soldering pads for reflow soldering
General tolerance : ±0.05

Circuit Diagram



DIM	TOL	DIM	TOL
X.X	±0.30	X.X*	±3.0*
X.XX	±0.20	X.XX*	±2.0*
X.XXX	±0.10	X.XXX*	±1.0*

NOTES:

ITEM	Parts	Material
A	Spring	Stainless Steel
B	Adhesive sheet	Anti-heat polyimide resin
C	Waterproof sheet	Anti-heat polyimide sheet
D	Housing	Polyphthalamide resin
E	Plunger	Polyphthalamide resin

SUNFUN SUNFUN TECHNOLOGY LTD

DRAW NO.	TSW001-10N2(A0)	DATE	06/06'21	MATERIAL:	SEE NOTES	DRAW NAME:	Tack Switch connector - RA type
DESIGN:	Mark	06/06'21	FINISH:	SEE NOTES		Waterproof IP57	Height 1.70mm with 2 dip.
CHECK:	Mark	06/06'21	FILE:	TSW001-10N2(A0)		MODEL:	TACK SWITCH CONN
REVIEW:	Ben	06/06'21	P/N:	TSW001-10N2		UNIT:	mm
APPROVED	Ben	06/06'21	REV. A0	SCALE		SHEET:	1/1