

REV.	ECN NO.	LOCATIONS	DESCRIPTION	DATE	DESIGN
A0			NEW RELEASE	11/20'12	Ken

ORDERING INFORMATION

WBJ100H-XX (XX R)
 ① ② ③

① **PRODUCT SERIES**
 WIRE TO BOARD CONNECTOR
 PITCH 1.0MM/ HORIZONTAL
 SINGLE ROW/ SMT TYPE

CUSTOMER DRAWING

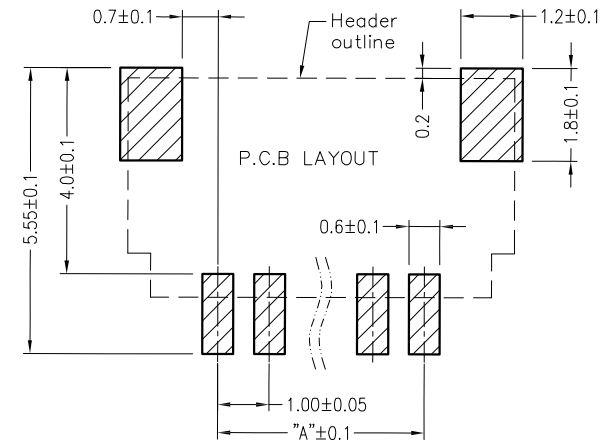
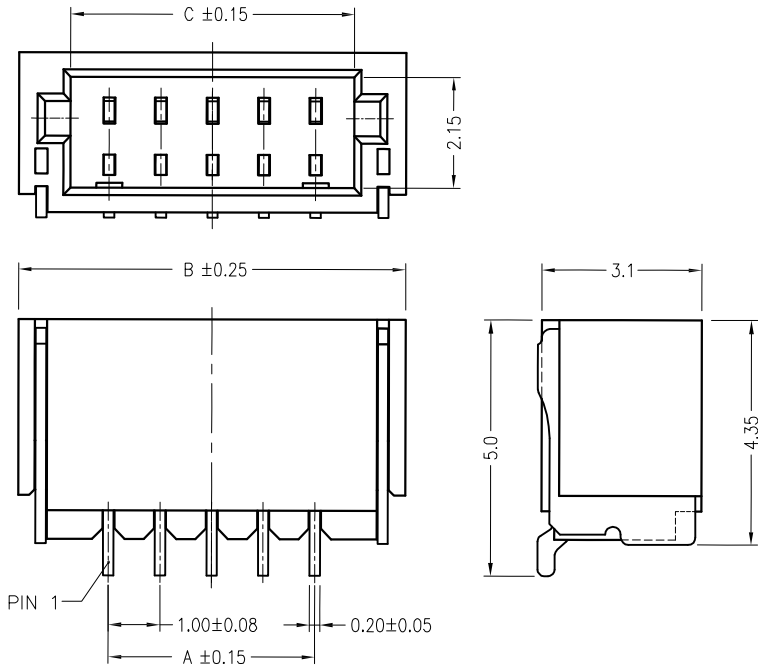
RoHS Compliant

② **NUMBER OF CONTACTS**

02 TO 20

③ **PLATING**

11: Tin plated.
 21: Gold plated.



RECOMMENDED P.C.BOARD LAYOUT

1.Material:

- 1-1. Housing: UL94V-0; Color: Ivory.
- 1-2. Contact: Copper Alloy, C2680.
- 1-3. Peg: Copper Alloy, C2680.

2.Plating:

- 2-1. Contact: Tin or Gold over Nickel plated over all.
- 2-2. Peg: Tin or Gold over Nickel plated over all.

DIM. TABLE:

Poles	DIM.A	DIM.B	DIM.C
02	1.0	4.5	2.6
03	2.0	5.5	3.6
04	3.0	6.5	4.6
05	4.0	7.5	5.6
06	5.0	8.5	6.6
07	6.0	9.5	7.6
08	7.0	10.5	8.6
09	8.0	11.5	9.6
10	9.0	12.5	10.6
11	10.0	13.5	11.6

Poles	DIM.A	DIM.B	DIM.C
12	11.0	14.5	12.6
13	12.0	15.5	13.6
14	13.0	16.5	14.6
15	14.0	17.5	15.6
16	15.0	18.5	16.6
17	16.0	19.5	17.6
18	17.0	20.5	18.6
19	18.0	21.5	19.6
20	19.0	22.5	20.6

DIM	TOL	DIM	TOL
X	±0.25	X'	±4.0'
X.X	±0.20	X.X'	±3.0'
X.XX	±0.10	X.XX'	±2.0'
X.XXX	±0.05	X.XXX'	±1.0'

SUNFUN		SUNFUN TECHNOLOGY LTD			
DRAW NO:	WBJ100H(A0)	DATE:	11/20'12	MATERIAL:	SEE NOTES
DESIGN:	Ken	FINISH:	SEE NOTES	DRAW NAME:	WIRE TO BOARD CONNECTOR
CHECK:	Ken	FILE:	WBJ100H(A0)	PITCH 1.0MM/ HORIZONTAL	SINGLE ROW/ SMT TYPE
REVIEW:	Eric	P/N:	WBJ100H-XX(XXR)	MODEL:	1.0WTB
APPROVED:	Eric	REV.	A0	UNIT:	mm
		SCALE:		SHEET:	1/1